

Assembly Instructions

K: 43-520-558 | T: 70-662-290 Green 3 Tier Trolley

CARE INSTRUCTIONS:

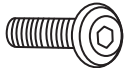



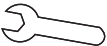

WIPE CLEAN WITH A SOFT DAMP CLOTH. DO NOT USE ABRASIVE MATERIALS SOLVENTS.
CHECK AND TIGHTEN ALL PARTS REGULARLY. FOR INDOOR AND DOMESTIC USE.

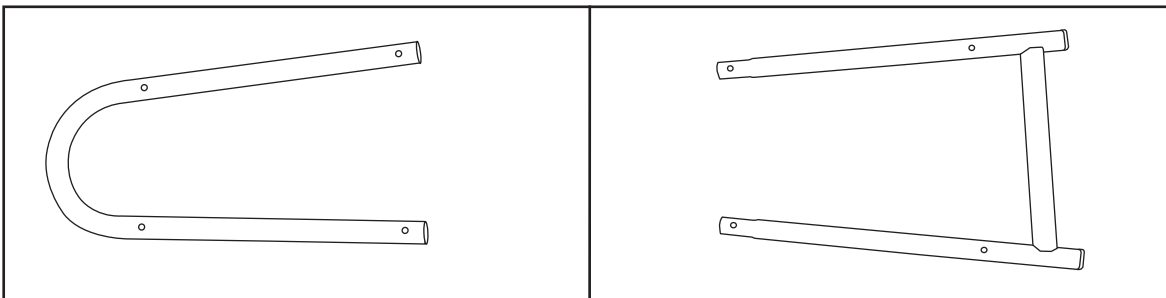
WARNING:

DO NOT STAND, SIT OR LEAN ON THE TROLLEY. USE ONLY ON A FLAT SURFACE. DO NOT USE UNTIL ALL SCREWS, BOLTS AND KNOBS ARE FIRMLY SECURED.
THIS PRODUCT CONTAINS SMALL PARTS AND SHARP POINTS, KEEP AWAY FROM CHILDREN AND BABIES. ADULT ASSEMBLY REQUIRED.
FAILURE TO FOLLOW THESE WARNINGS COULD RESULT IN SERIOUS INJURY.

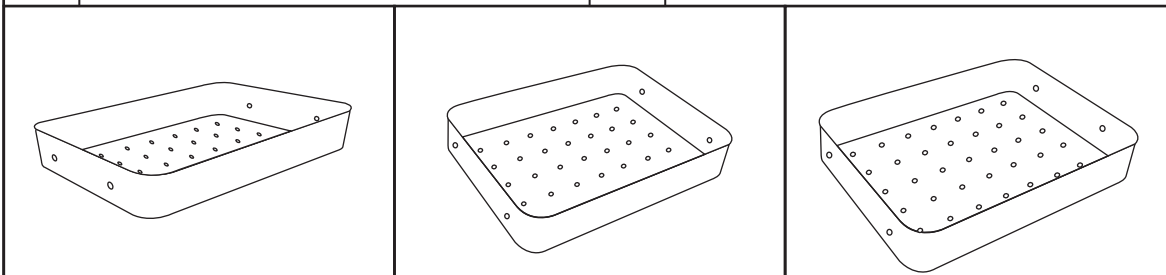
MAXIMUM SAFE LOAD: 12KG FOR EACH TRAY.

Hardware list

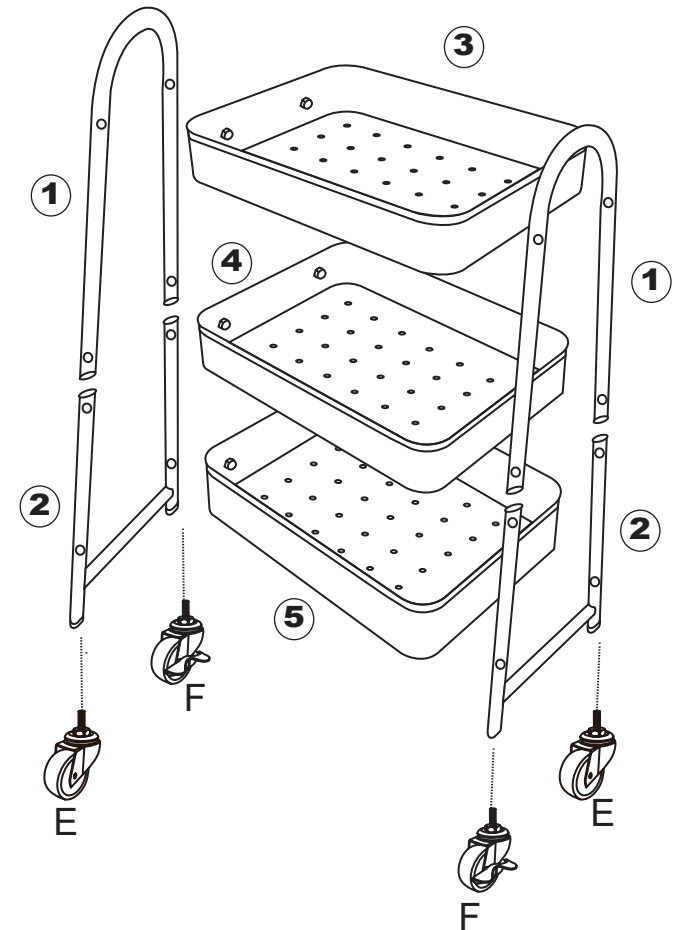
	A	Screw	12 PCS		D	Hex Key	1 PC
	B	Screw	12 PCS		E	Wheels	2 PCS
	C	Spanner	1 PC		F	Wheels	2 PCS



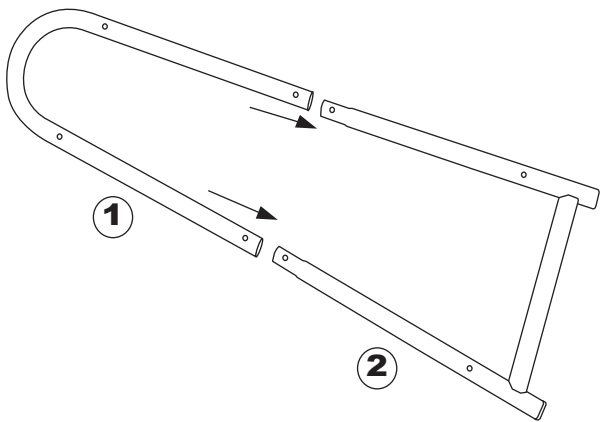
1 2PCS
2 2PCS



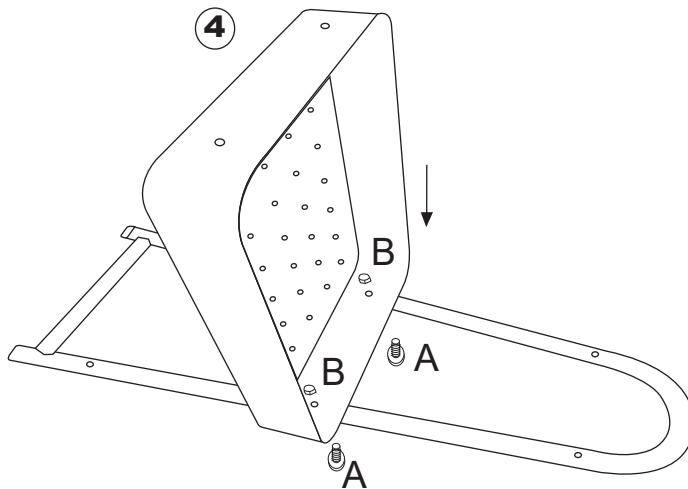
3 1PC
4 1PC
5 1PC



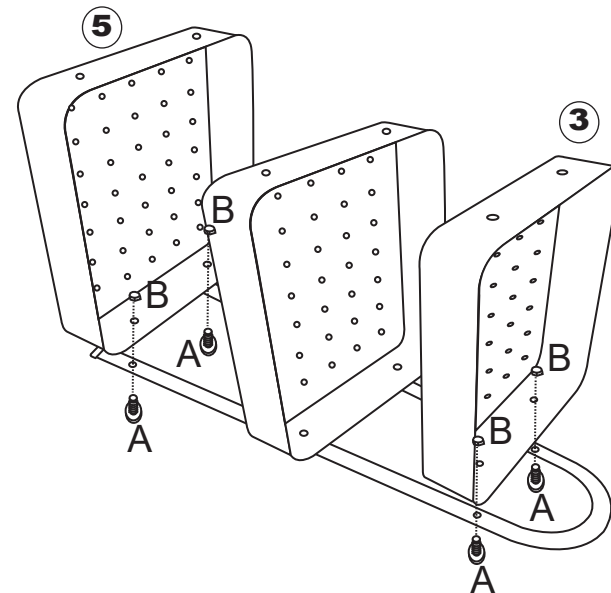
STEP 1



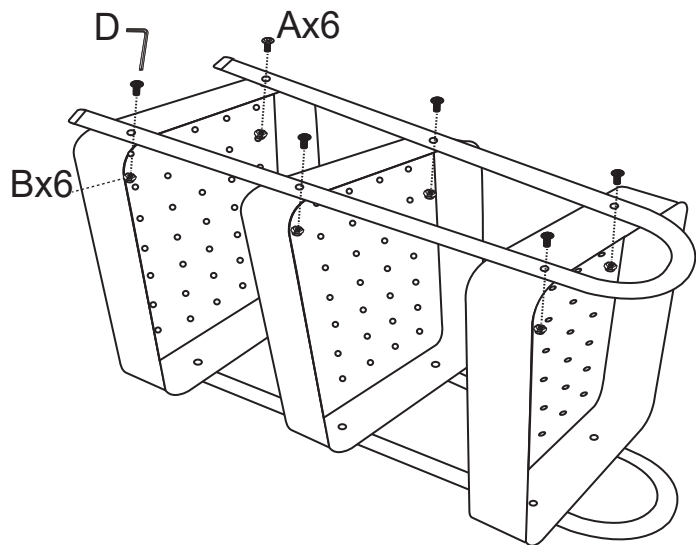
STEP 2



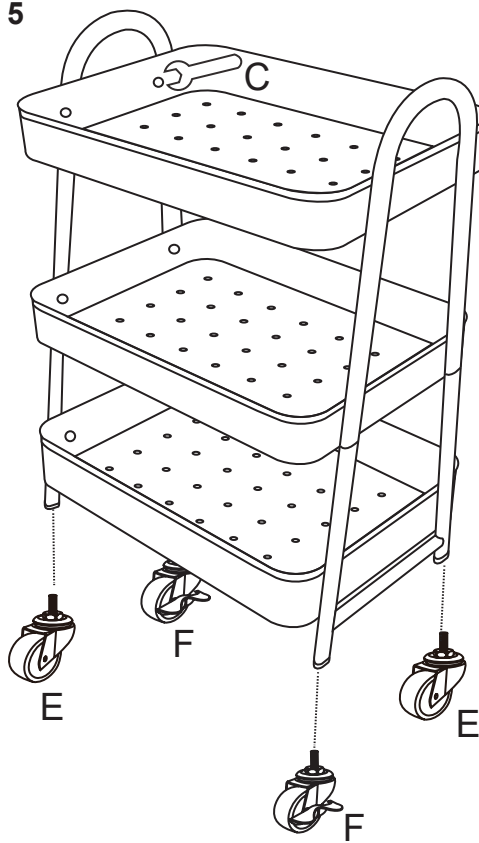
STEP 3



STEP 4



STEP 5



STEP 6

