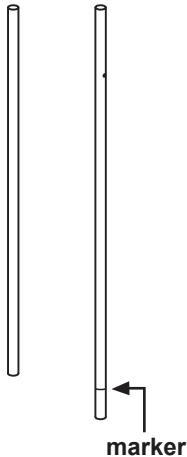


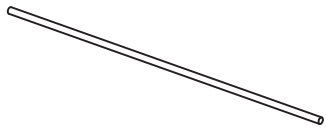
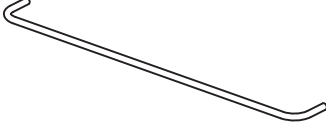
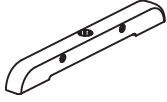








# Assembly Instructions

## Adjustable garment rack

### Parts Supplied

Ref	Description	Illustration	Qty
A	1pc Top Horizontal Bar (no marker)		1pc
B	2pcs Upper Side Post (with marker)		2pcs
C	Lower Side Post		2pcs
D	Screw		2pcs

Ref	Description	Illustration	Qty
E	Bottom Rod		2pcs
F	U Bar		1pc
G	Base		2pcs
H	Connector		2pcs
I	Locking Screw		2pcs
J	Castor		4pcs
K	Hook		2pcs
L	Long screw		2pcs
M	Gasket		2pcs

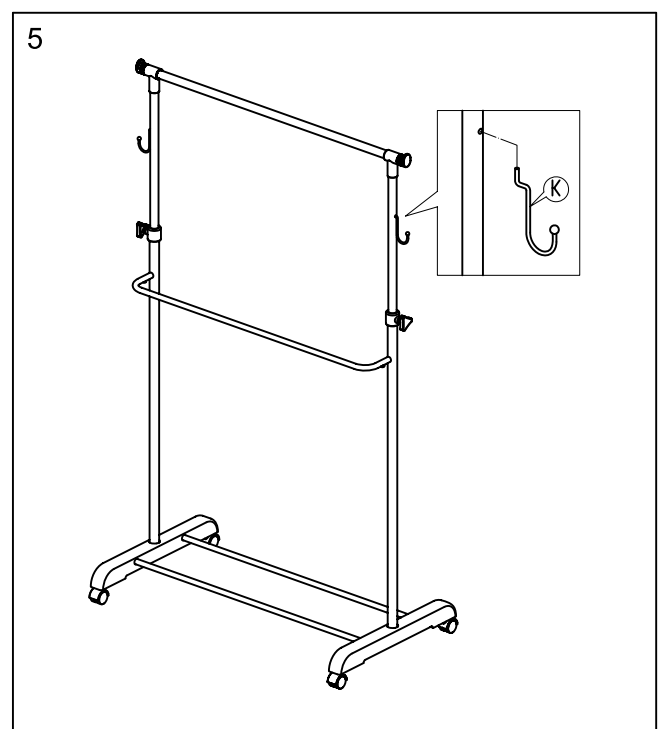
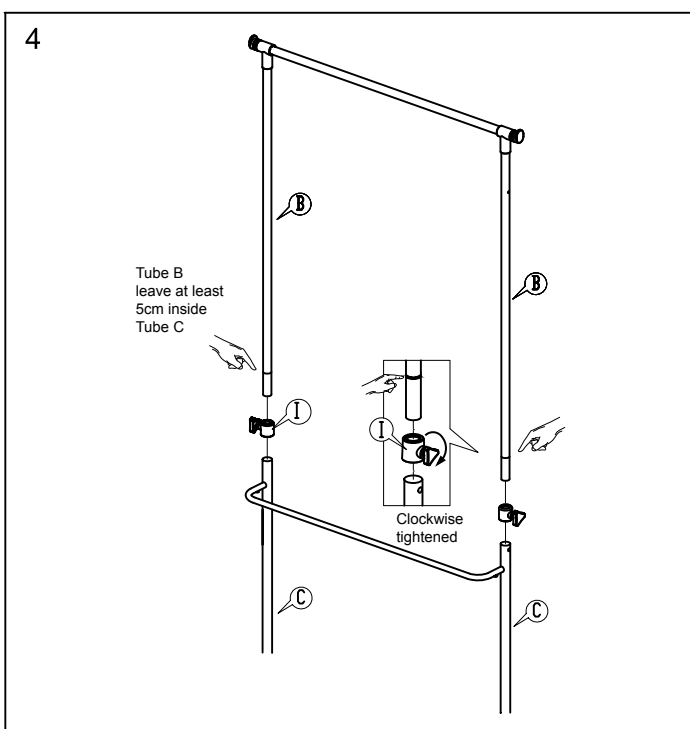
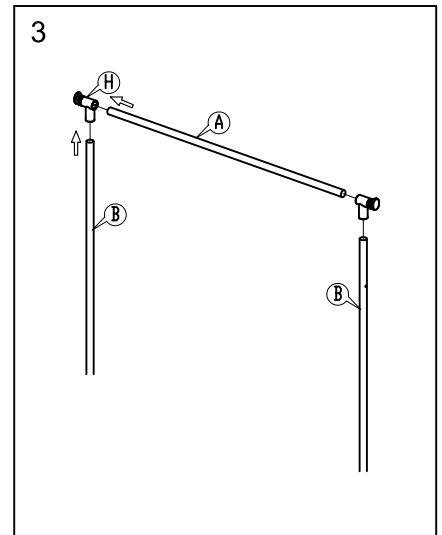
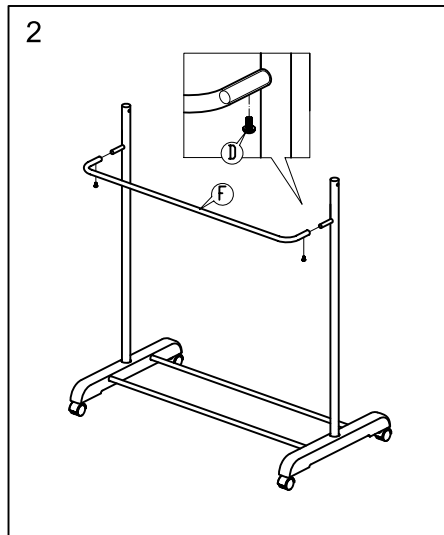
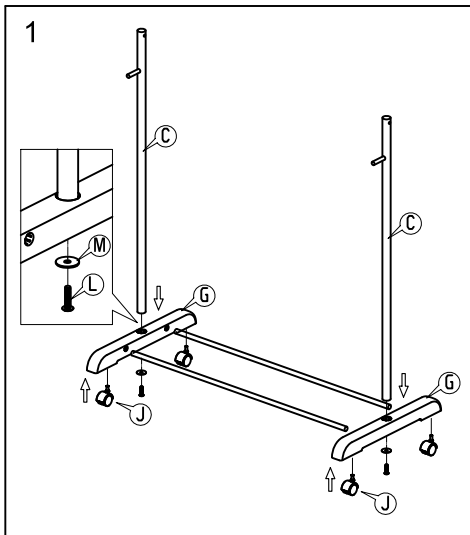
### Tools Required (not supplied)

- Cushioned Hammer
- Phillips head screwdriver

### User Instructions:

- To adjust the garment rack, simply release the locking mechanism located on both vertical bars. Move the bar to the desired height, and re-lock. Ensure vertical bars are simultaneously adjusted at all times.
- **PLEASE NOTE:** Failure to follow this instruction will place undue stress on the plastic joints, and may cause the plastic components to break.
- **MAXIMUM WEIGHT LOAD 10KGS** evenly distributed over rail

# Assembly Instructions



1. Use a Cushioned Hammer to affix the Bases(G) and Bottom Rods(E). Attach Castors(J) to the bottom of the Bases(G) until it is securely locked. Insert the Lower Side Posts (C) into the hole of the Bases(G), and then affix the Lower Side Posts (C) and the Bases(G) with the Long screw(L) and Gasket(M).
2. Connect the U bars(F) and Lower Side Posts (C) with Screws(D).
3. Insert the Top Horizontal Bar(A) and the Upper Side Posts(B) into the connectors(H). Use a cushioned hammer if necessary.
4. Once you have completed assembling the garment arms, insert them into the Lower Side Post with the red marker facing down. To lock the upper side posts into position, tighten the Locking Screws (I) clockwise.  
**Note:** Check that all joints and posts are firmly fixed together.
5. Place the Hooks(K) into the hole of the Upper Side Posts(B).
6. Adjust the desired height by using the Locking Screws (I). Whilst adjusting the height of the rack, leave at least 5cm inside the Lower Side Post as indicated by the red markers.

## Care & Use

- Wipe clean with a soft damp cloth. Never use scourers, abrasives or chemical cleaners.