

## ASSEMBLY INSTRUCTION

- ☒ Please read instructions carefully. Be sure you have all parts before you begin to assemble
- ☒ Assemble furniture on a clean, flat surface such as carpet to avoid scratching
- ☒ Tools required hex key ( included )

**Warning:** This wall shelf needs to be mounted securely. Please use appropriate fixing types for your wall type.  
 If in doubt, please consult a builder/DIY specialist"

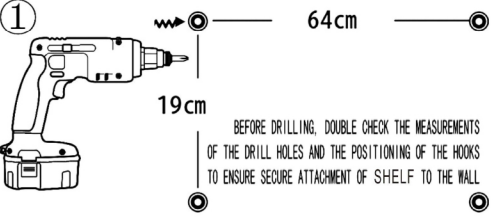
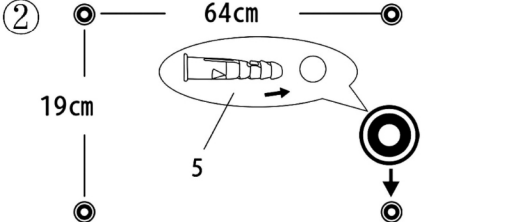
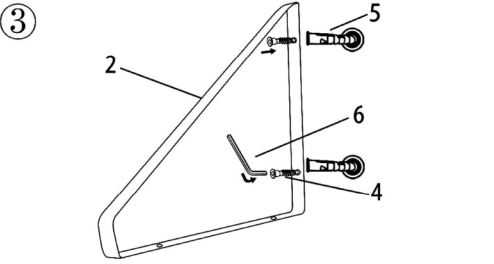
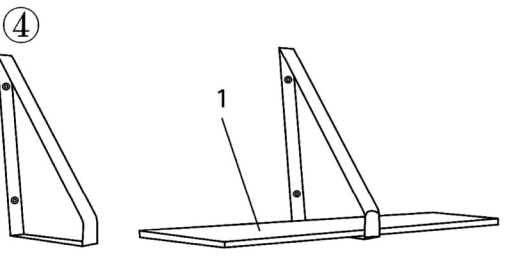
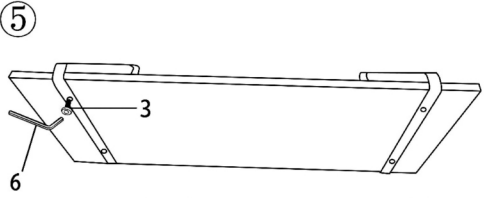
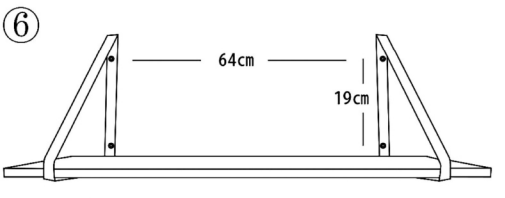

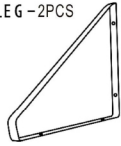

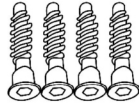
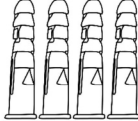
**Attention :** To ensure easy assembly we advise all fittings be finger tightened during the initial assembly  
 Once the product is assembled all fitting should be fully tightened  
 We recommend a periodic check on all fixing points to make sure they remain fully tightened  
 Do not tighten the screws before all screws are in place

This package contains small parts and sharp points, keep away from children and babies until assembly is complete.

Max safe load limit: 8 kg

Maintenance:

Wipe clean with a soft damp or dry cloth. Never clean with chemical cleaners' .

<p><b>1</b></p>  <p style="font-size: small;">BEFORE DRILLING, DOUBLE CHECK THE MEASUREMENTS OF THE DRILL HOLES AND THE POSITIONING OF THE HOOKS TO ENSURE SECURE ATTACHMENT OF SHELF TO THE WALL.</p>	<p><b>2</b></p> 			
<p><b>3</b></p> 	<p><b>4</b></p> 			
<p><b>5</b></p> 	<p><b>6</b></p> 			
<p><b>1. TOP - 1PC</b></p> 	<p><b>2. LEG - 2PCS</b></p> 	<p><b>3. 6X 13- 4PCS</b></p> 	<p><b>4. 7X 35- 4PCS</b></p> 	<p><b>5. SETSCREW- 4PCS</b></p> 
<p><b>6. HEX KEY - 1PC</b></p> 