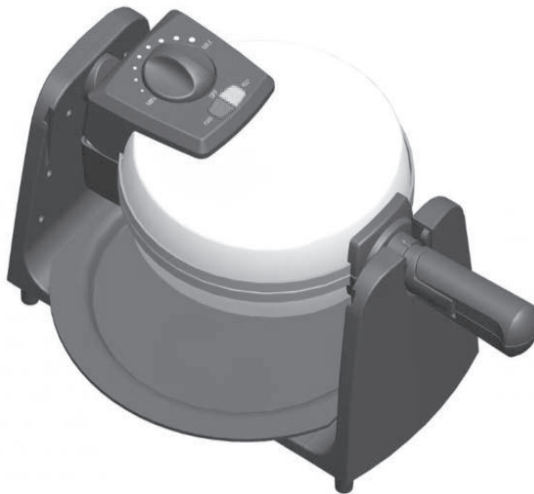


anko

**Waffle Maker
FS-1828
User Manual**



PLEASE READ AND SAVE THESE
INSTRUCTIONS FOR FUTURE REFERENCE

IMPORTANT SAFEGUARDS

When using electrical appliances, basic safety precautions should always be followed, including the following:

READ ALL INSTRUCTIONS

1. To protect against electric shock do not immerse the appliance, power cord, plugs in water or other liquids.
2. Close supervision is necessary when any appliance is used by or near children.
3. Unplug from outlet when not in use and before cleaning. Allow to cool before putting on or taking off parts, and before cleaning the appliance.
4. If the supply cord is damaged, it must be replaced by a qualified electrician in order to avoid a hazard, or the product must be disposed.
5. The use of accessory attachments not recommended by the appliance manufacturer may cause injuries.
6. The appliance is intended for household use only. Do not use outdoors or for commercial purpose. Any other use will void the warranty.
7. This appliance is intended to be used indoors in household and similar applications such as: staff kitchen areas in shops, offices and other working environments, farm houses, by clients in hotels, motels and other residential type environments, bed and breakfast type environments.
8. Do not let cord hang over edge of table or counter, or touch hot surfaces.
9. Do not place on or near a hot gas or electric burner, or in a heated oven.
10. Do not touch hot surfaces. Only use the handle provided.
11. Extreme caution must be used when moving an appliance containing hot oil or other liquids.
12. To disconnect, turn the temperature control knob to minimum, then remove the supply cord plug from the mains power outlet.
13. Do not use appliance for other than intended use.
14. Never use the appliance if the supply cord is damaged. It must be replaced by the manufacturer, its service agent or similarly qualified person in order to avoid a hazard.
15. The appliances is not intended for use by persons (including children) with reduced physical, sensory or mental capabilities, or lack of experience and knowledge, unless they have been given supervision or instruction concerning use of the appliance by a person responsible for their safety.
16. Children should be supervised to ensure that they do not play with the appliance.
17. The appliances are not intended to be operated by means of an external timer or separate remote-control system
18. Do not use an extension cord with this appliance.
19. This appliance can be used by children aged from 8 years and above and persons with reduced physical, sensory or mental capabilities or lack of experience and knowledge if they have been given supervision or instruction concerning use of the appliance in a safe way and understand the hazards involved .Children shall not play with the appliance .Cleaning and user maintenance shall not be made by children unless they are older than 8 and supervised. Keep the appliance and its cord out of reach of children less than 8 years.
20. Always operate the appliance on an even surface. Make sure that there is enough ventilation around the appliance during use.
21. To avoid the danger of fire, never leave the appliance unattended. And never use the appliance near inflammable material, such as curtains, wall cabinets...etc., due to risk of burning and/or fire.
22. Before connecting the appliance to mains power, the heating plates must be in closed position.
23. Use only heat-proof synthetic or wooden utensils when taking waffles out to prevent damage to the non-stick coating of the heating plates. Make sure that the utensils are not pointy or have sharp edges.

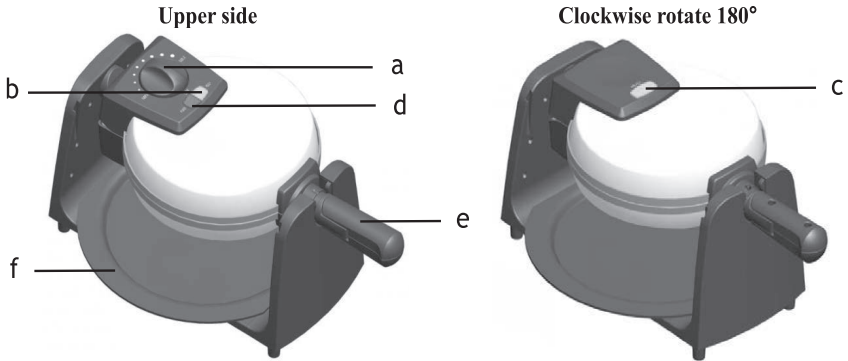


Caution, hot surfaces. Care must be taken. The surfaces are liable to get hot during use.

24. For cleaning the cooking surface, please refer to section "Cleaning and Maintenance ".

SAVE THESE INSTRUCTIONS FOR HOUSEHOLD USE ONLY

PARTS DESCRIPTION



- a. Temperature control knob
- b. Green ready light
- c. Green ready light
- d. Red power light
- e. Folding handle
- f. Removable drip tray



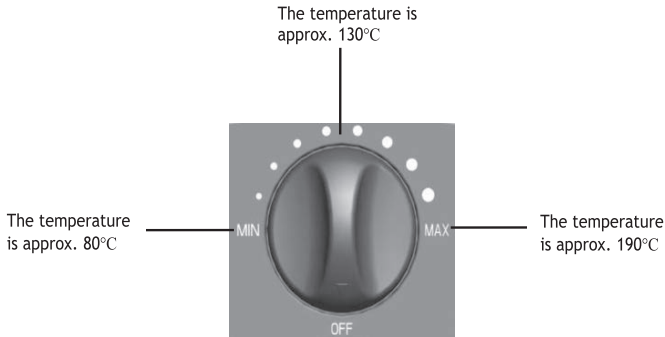
Caution, hot surfaces. Care must be taken. The surfaces are liable to get hot during use.

OPERATION

1. Uncoil the power supply cable completely.
2. Check if the heating plates are clean and dust-free. If necessary, wipe them with a damp cloth.
3. Place the appliance on a dry, stable and non-skid surface, make sure all feet are placed firmly on the surface.
4. Place the drip tray under the waffle maker, to catch any spilling dough.
5. Unfold the handle and close the waffle maker, connect the supply cord plug into a mains power outlet.
6. Pre-heat the appliance first by setting the temperature control knob to "MAX" setting. The red power indicator will light up, indicating that the waffle maker has begun preheating. The green ready indicator will light up when the cooking surface has reached the baking temperature (usually it takes about 2 - 3 minutes), indicating that the appliance is ready for cooking. The red power light remains on until you unplug the appliance from mains power.
When the green ready light turns ON, the appliance is ready for use.
Note: once the appliance is heated up, cycle times will be shorter.

- Set the temperature control knob to your desired heat setting (minimum or maximum).
Note: the temperature range is between 80-190 °C.

Start on medium setting on the temperature control knob. You can adjust to higher setting later, according to your preference. A medium setting produces a lighter coloured waffle and a higher setting makes it darker. Different waffle batters also cook up differently. Over time, you will find your perfect setting for the type of batter you use.



- Open the appliance and fill batter into the bottom grid of the waffle maker. Ladle just enough batter to fill the lower grid so that the peak area of the grid is covered. If necessary, use a pastry brush to lightly coat the top and bottom waffle grids with vegetable oil. A light coating of non-stick cooking spray also works well.
- Close the appliance. The green light will turn OFF when the baking cycle begins. Rotate the appliance by the handle to make sure that both sides are baked evenly. The waffle will be ready around 3 - 5 minutes.
- Open the appliance and check whether the waffle is sufficiently done. If you prefer a darker one, continue baking until the desired color is achieved. After toasting, open the appliance and remove the waffle from the grid using heat-proof synthetic or wooden utensils.
- If additional baking is to be done, close the waffle maker to retain heat. Wait until the green ready light goes ON again before making more waffles.
- Cooled waffles can be re-heated and re-crisped individually by returning them to the hot waffle maker. Set the temperature control knob to the lowest setting "MIN" and place the waffle on grid so that the grooves match up. Close the appliance and re-heat for about 2 minutes, watch carefully to avoid burning.
- After using the waffle maker, disconnect the supply cord plug from the mains power outlet socket. Allow the appliance to cool down in a place not easily accessible to the children.

CAUTION:

- Depending on the thickness of your food, it takes approx. 3 - 5 minutes to bake a waffle.
- The first heating process should take place without any foodstuffs, let it heat for about 10 minutes. There may be a slight development of smoke or smell from the unit and heating elements. This is normal and harmless! After dry heating, both will disappear.
- The red power indicator light will remain ON until you unplug the waffle maker. The green light will turn ON and OFF during the baking cycle, this is normal.

4. If too much mixture is inserted into the appliance and the waffle maker cannot be closed, never close it with undue force as this could damage the lock handle, and too much extra fillings will drop into the lower drip tray going to waste.
5. Never use sharp forks or knives to remove the waffle as this would damage the non-stick coating of the cooking surface. Use heat-resistant wood or plastic utensils only.
6. Always unplug the appliance from the mains power outlet socket when not in use and storing.

CLEANING AND MAINTENANCE

This appliance should be cleaned after every use.

IMPORTANT! Make sure the appliance is switched OFF. Disconnect the supply cord plug from the mains power outlet and allow the appliance to cool down completely before cleaning.

CAUTION: Never immerse the waffle maker in water, other liquids or in a dishwasher!

1. Wipe the cooking surface with a soft damp cloth every time after use. To remove stubborn residue, use a little oil to soften it.
2. Do not use metal objects as they would damage the non-stick coating.

STORAGE

1. Unplug the Waffle Maker from mains power.
2. Allow the appliance to cool down completely.
3. Do not wrap the power cord around the appliance.
4. Store the appliance in a dry location and out of the reach of children.

SUGGESTED RECIPE

Ingredients

500g	all - purpose flour
50g	sugar
400ml	milk
5	eggs
100g	butter
5g	baking powder

DIRECTIONS

Beat the eggs in a mixer until well mixed. Add remaining ingredients and mix until smooth. Leave the mixture for at least half an hour.

Preheat the waffle maker. Use a pastry brush to lightly grease coat the non-stick coating of the baking plates with oil or butter. Pour mixture into waffle maker. Cook until golden brown.

TECHNICAL DATA

Voltage : 220-240Va.c. 50-60Hz

Power : 1200W

12 Month Warranty

Thank you for your purchase from Kmart.

Kmart Australia Ltd warrants your new product to be free from defects in materials and workmanship for the period stated above, from the date of purchase, provided that the product is used in accordance with accompanying recommendations or instructions where provided. This warranty is in addition to your rights under the Australian Consumer Law.

Kmart will provide you with your choice of a refund, repair or exchange (where possible) for this product if it becomes defective within the warranty period. Kmart will bear the reasonable expense of claiming the warranty. This warranty will no longer apply where the defect is a result of alteration, accident, misuse, abuse or neglect.

Please retain your receipt as proof of purchase and contact our Customer Service Centre on 1800 124 125 (Australia) or 0800 945 995 (New Zealand) or alternatively, via Customer Help at Kmart.com.au for any difficulties with your product. Warranty claims and claims for expense incurred in returning this product can be addressed to our Customer Service Centre at 690 Springvale Rd, Mulgrave Vic 3170.

Our goods come with guarantees that cannot be excluded under the Australian Consumer Law. You are entitled to a replacement or refund for a major failure and compensation for any other reasonably foreseeable loss or damage. You are also entitled to have the goods repaired or replaced if the goods fail to be of acceptable quality and the failure does not amount to a major failure.

For New Zealand customers, this warranty is in addition to statutory rights observed under New Zealand legislation.

