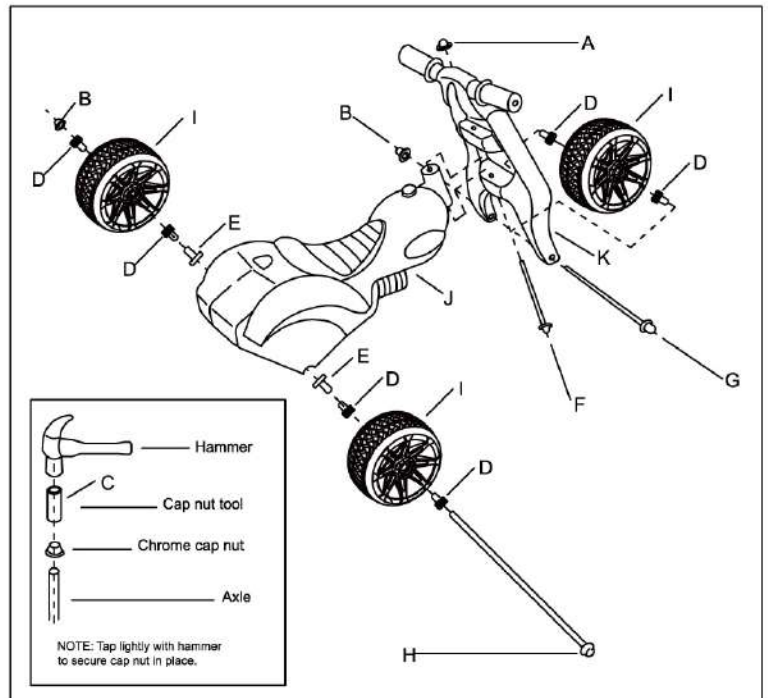


**WARNING!**

THE MAXIMUM USER WEIGHT LIMIT FOR THIS PRODUCT IS 20KG. ADULT ASSEMBLY REQUIRED. TO BE USED UNDER CONSTANT ADULT SUPERVISION. ALWAYS WEAR A HELMET AND PROTECTIVE EQUIPMENT. DO NOT RIDE AT NIGHT OR IN WET WEATHER, NEVER USE ON PUBLIC ROADS, HILLS, SLOPED DRIVEWAYS, NEAR MOTOR VEHICLES OR SWIMMING POOLS. READ AND FOLLOW INSTRUCTION MANUAL. ALWAYS WEAR SHOES. ALLOW ONLY ONE RIDER. WARNING! NOT SUITABLE FOR CHILDREN UNDER 3 YEARS PRIOR TO ASSEMBLY. CONTAINS SMALL PARTS.

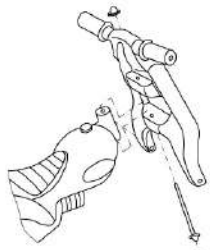
**PARTS LIST**

ITEM	DESCRIPTION	QTY
A	Ø6 Chrome cap nuts (1x spare)	2
B	Ø8 Chrome cap nuts (1x spare)	3
C	Cap nut tool 29mm	1
D	Plastic spacer Ø27.5x22mm	6
E	Plastic spacer Ø21x20mm	2
F	143mm steel axle with chrome cap nut	1
G	187mm steel axle with chrome cap nut	1
H	385mm steel axle with chrome cap nut	1
I	Plastic wheel	3
J	Main body	1
K	Fork	1

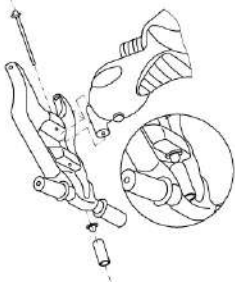


Please note: Hammer not included.

**ASSEMBLY INSTRUCTIONS**



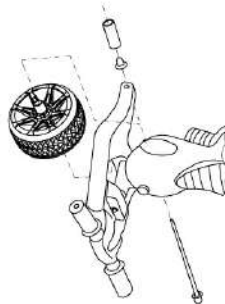
1. Place body into middle of fork, align and slide 143mm axle (F) through from bottom.



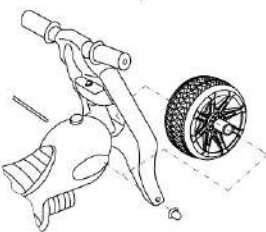
2. Turn buggy upside down, place on a solid surface, capped side up. Place cap nut (A) in the cap nut tool (C) and hold at opposite end of the axle (F) in the gap under the handlebar. Using hammer, tap the top of the axle until cap nut is securely fixed onto the axle.



3. Place a 27.5x22mm (D) spacer on either side of a wheel, ensuring the wide end is placed onto the wheel first. The spacer (D) should be tight fitting to secure itself onto the wheel.



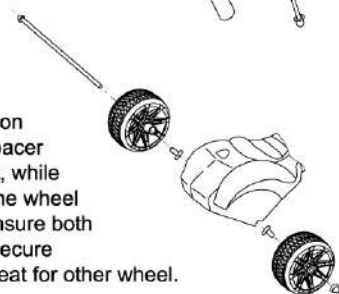
5. Turn dune buggy on it's side, place on a solid surface, capped side down. Place cap nut (B) in the cap nut tool and hold at the top of the axle (G). Using hammer, tap the cap nut tool until cap nut is securely fixed onto the axle.



4. Slide 187mm axle (G) through fork then wheel, and other side of fork. Please note product is designed to be tight fitting. You may be required to pull out front forks to make room.



6. Place 27.5x22mm spacer (D) on either side of a wheel (I). One spacer should be inserted wide end first, while the spacer on the other side of the wheel should be insert thin end first. Ensure both spacers are tight fitting so they secure themselves onto the wheel. Repeat for other wheel.



7. Slide the 385mm axle (H) through the wheel (I). The side without the spacer protruding should go through first. Then slide a 21x20mm spacer (E) through the axle, making sure the thin end of the spacer (E) is threaded through first. Slide the body through the axle, then a 21x20mm spacer (E) with the wide end threaded through first. Finally, thread the wheel (I) with the protruding spacer side through the axle (H).



8. Turn dune buggy on it's side, place on a solid surface, capped side down. Place cap nut (B) in the cap nut tool and hold at the top of the axle. Using hammer, tap the cap nut tool until cap nut is securely fixed onto the axle (H).

Inspect for any sharp points after assembly and prior to use.