

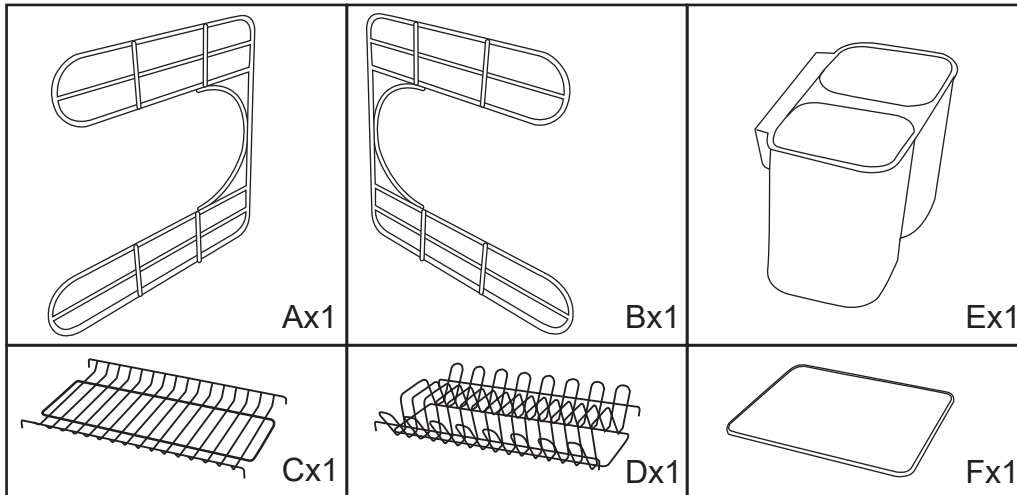
ASSEMBLY INSTRUCTIONS

42496984 2 TIER DISH RACK WITH BLACK TRAY

Important:

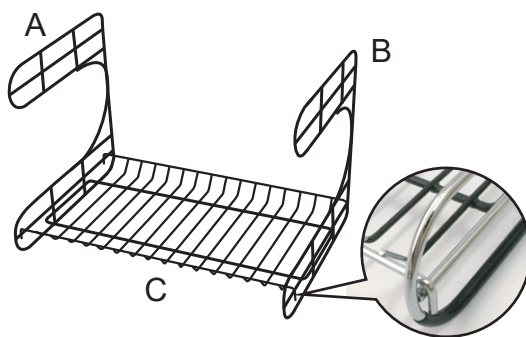
1. Please read this leaflet for instructions on assembly of this dish rack.
2. Ensure you have all parts listed before commencing assembly.
3. Wash in warm soapy water and dry thoroughly before use.
4. Keep this leaflet for future reference.

PART LIST

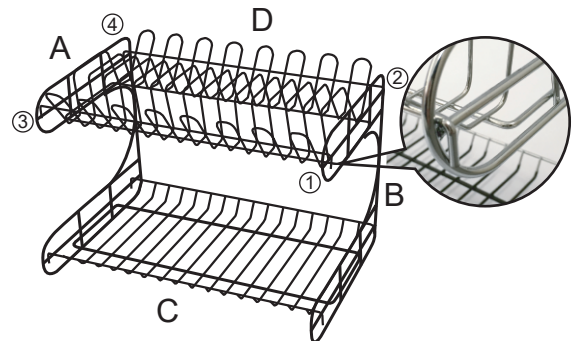


ASSEMBLY INSTRUCTION

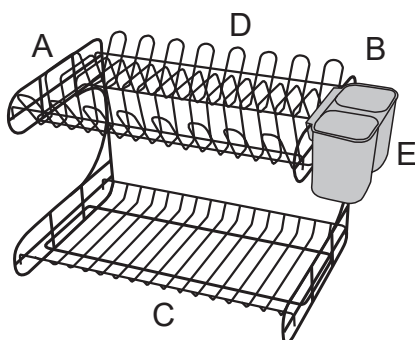
Step 1: Set up supporting frame A & B, ensuring the short vertical bars are facing inwards. Make sure the ends on C overlap the horizontal bars of frame A & B by inserting the outside hook first.



Step 2: Assemble D to supporting frame A following the sequence of ①, ②, ③, ④.



Step 3: Connect cutlery holder E to frame A or B.



Step 4: Place dish rack on tray F.

