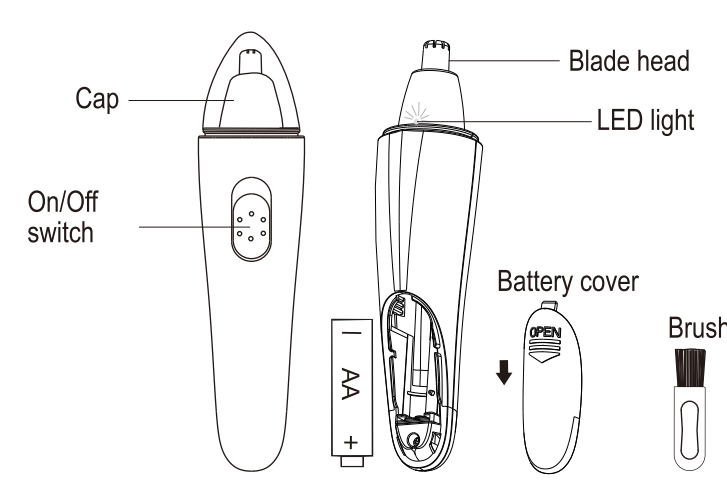


NOSE & EAR TRIMMER
TB-0959
INSTRUCTION MANUAL

STRUCTURE:

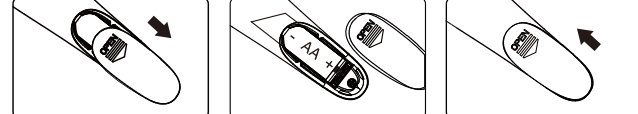


FEATURES:

1. Precise blade shape trims hair quickly and safely.
2. Low noise power motor.
3. Built-in light for accurate trimming.
4. Streamlined shape provide elegant and luxurious feeling.
5. x 1 AA battery required (not provided).


HOW TO USE:

• **How to install battery:**



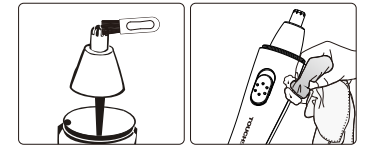
Slide the battery cover down and insert 1 AA battery as shown above. Replace the cover. (Battery not included)

• **How to use:**



1. Remove the cap.
2. Push the switch up to turn on the unit.
3. Put the blade head into your nose or ear, gently move and trim hair.
4. Push the switch down to turn off the unit when finished.

• **How to clean:**



1. Unscrew the blade head after use and clean the blade head with the small brush.
2. Clean the main body with wet/dry cloth or tissue if dirty.
3. This product is not water resistant. Don't wash it with water.

ATTENTION:

1. Remove the battery if the product will not be used for an extended period.
2. Keep out of reach of children.
3. DO NOT disassemble the main body .

TROUBLE CLEARING:

Feature	Fault Cause	Processing Method
Poor trimming effect	The blade is deformed or damaged.	Change new blade.
	Worn blade.	
Not working	Battery installed incorrectly.	Reinstall battery correctly.
	Low battery.	Install new battery.
Blade loose	The blade head is not locked properly.	Lock the blade head properly.

BEAUTY TIPS:

1. Don't trim nose hair too short time to protect nasal cavity.
2. To remove hair after trimming, clean the nasal cavity after trimming.

12 Month Warranty

Thank you for your purchase from Kmart.


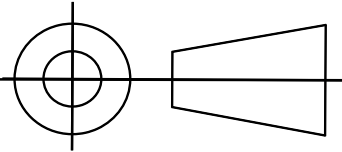
Kmart Australia Ltd warrants your new product to be free from defects in materials and workmanship for the period stated above, from the date of purchase, provided that the product is used in accordance with accompanying recommendations or instructions where provided. This warranty is in addition to your rights under the Australian Consumer Law.

Kmart will provide you with your choice of a refund, repair or exchange (where possible) for this product if it becomes defective within the warranty period. Kmart will bear the reasonable expense of claiming the warranty. This warranty will no longer apply where the defect is a result of alteration, accident, misuse, abuse or neglect.

Please retain your receipt as proof of purchase and contact our Customer Service Centre on 1800 124 125 (Australia) or 0800 945 995 (New Zealand) or alternatively, via Customer Help at Kmart.com.au for any difficulties with your product. Warranty claims and claims for expense incurred in returning this product can be addressed to our Customer Service Centre at 690 Springvale Rd, Mulgrave Vic 3170.

Our goods come with guarantees that cannot be excluded under the Australian Consumer Law. You are entitled to a replacement or refund for a major failure and compensation for any other reasonably foreseeable loss or damage. You are also entitled to have the goods repaired or replaced if the goods fail to be of acceptable quality and the failure does not amount to a major failure.

For New Zealand customers, this warranty is in addition to statutory rights observed under New Zealand legislation.

名称	说明书			业务包材设计	
尺寸	318*155mm	订单号	GRC17019	审核	GRC
材质	80g书写纸	型号	TB-0959	日期	2017-09-11
工艺	单黑双面		单位	设计	杨婷
其它			毫米		

风琴2折再对折:53*155MM