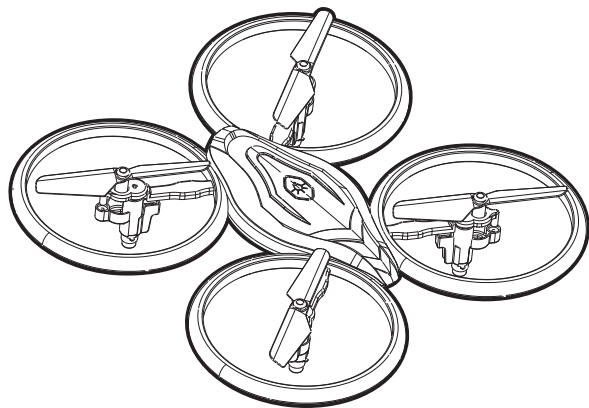


26.1cm X 13cm Front

8+ Years

RC LIGHT UP QUAD

INSTRUCTION MANUAL

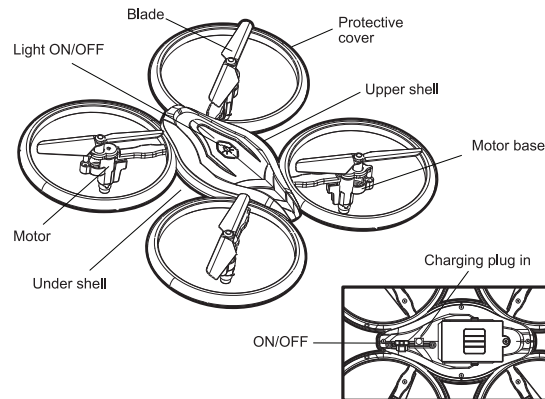


WARNING:
Do not touch the hot motor and batteries.
Do not touch working propellers.
Do not fly towards yourself or other people.
Adult supervision is required.

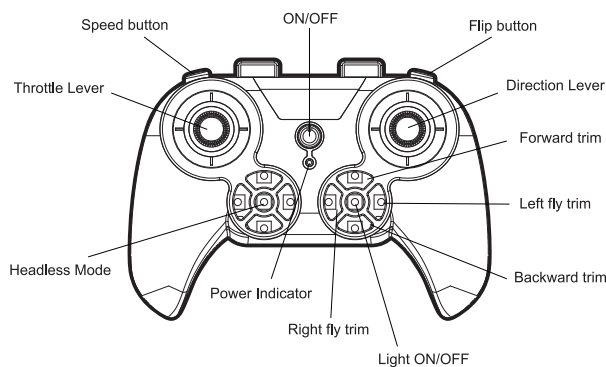
- PRECAUTIONS**
1. Please read this manual carefully before use.
 2. Place spare or small parts out of reach of children.
 3. Fly only in large outdoor wide open spaces.
 4. For ages 8 years and above.

P.1

PART NAMES - QUADCOPTER



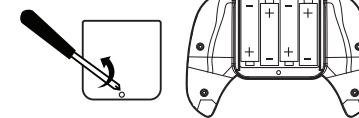
PART NAMES - REMOTE CONTROL



P.2

BATTERY INSTALLATION - REMOTE CONTROL

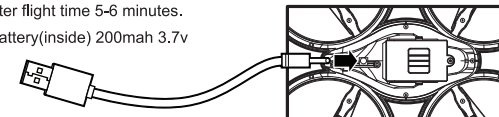
As shown in figure, remove the remote control battery cover and install 4 x 1.5V AA batteries (Not included). Once these have been correctly installed, place the battery cover back on and screw tightly.



LITHIUM BATTERY CHARGE DESCRIPTION

Caution: Before charging, making sure the quadcopter power switch is set to "OFF" state.

1. Connect USB cable plug with the quadcopter charging interface.
2. Put the cable into the computer USB interface. When it starts charging, the USB light extinguishes.
3. Charge for about 40-50 minutes. When the USB indicator lights up, charging is completed. Please disconnect all connections and store in a safe place.
4. Quadcopter flight time 5-6 minutes.
5. Lithium battery(inside) 200mah 3.7v



ATTENTION! - LITHIUM BATTERY RELATED MATTERS

- a. After use, the rechargeable battery will be hot! Wait at least 30 minutes until it cools down before recharging. Recharging a hot rechargeable battery will damage the battery.
- b. Do not short circuit the battery.
- c. Do not leave the battery together with tiny metal parts.
- d. Do not put the battery into fire, a microwave, an oven, or a pressure tank.
- e. Do not use solvents industrial alcohol or other flammable solvents to clean the product or charger.
- f. This product contains plastic, electronic components and a battery. Do not put such items in the daily garbage disposal. Please dispose of according to the requirements of your local garbage collection.

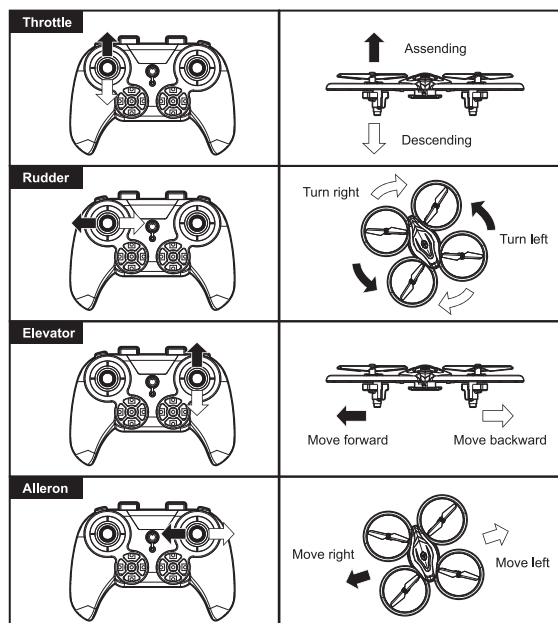
P.3

Back

QUAD MATCHING CONTROL METHOD

1. Set the quadcopter power switch to the "ON" state and place on the flat ground. LED lights flashing rapidly. Do not move the fuselage.
2. Push the throttle lever down and set the controller power switch to "ON" then you will hear a beep sound. Push the throttle up then you will hear a beep sound and then push it down again you will hear another beep sound. If the quadcopter LED light has been lit, the pairing is successful and you can control the quadcopter. if it doesn't pair successfully, then turn off the controller and quadcopter and re-set again.

INSTRUCTION - NORMAL FLYING CONTROL

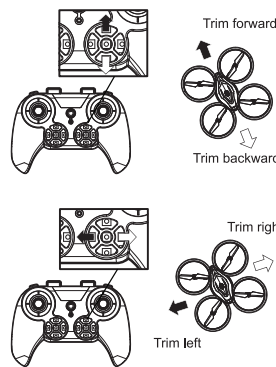


P.4

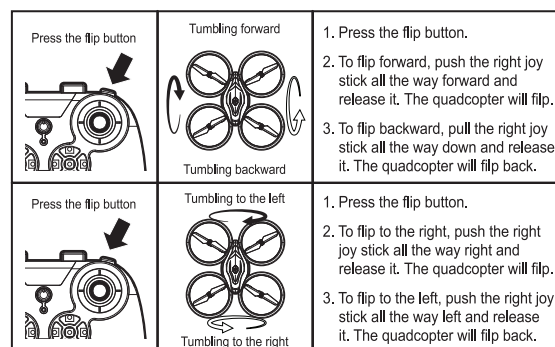
HOW TO TRIM

Slowly raise the throttle stick and just as the quadcopter lift-off the ground, you can use the trim to correct the action if the drone leans in a different direction.

1. If the quadcopter drifts forward, trim it to the backward until it stops drifting. If the Quadcopter drifts backwards, trim it forward until it stops drifting.
2. If the quadcopter drifts to the left, trim it to the right until it stops drifting. If the quadcopter drifts to the right, trim it to the left until it stops drifting.



HOW TO DO 360 FLIPPING



TIP: Fly at least 3 metres off the ground when you want to flip the quadcopter

P.5

HEADLESS MODE

Headless mode ensures that the aircraft will always follow controls from your perspective all the time, regardless of which way the aircraft is facing. Press the headless mode button on your remote to go into headless mode. Press it again to exit headless mode. In the headless mode, LED lights flash and cannot be turned off.

WARNING

- Please follow the instructions for correct installation and use. Some parts are assembled by an adult.
- The product contains small parts and is a choking hazard.
- Throw away the packaging material straight away, as this can cause harm to children.
- Batteries are to be inserted with the correct polarity.
- Do not mix different types of batteries or new and used batteries.
- Non-rechargeable batteries are not to be recharged.
- Rechargeable batteries are only to be charged under adult supervision.
- Rechargeable batteries are to be removed from the toy before being charged.
- The supply terminals are not to be short-circuited.
- Remove batteries from the toy when not in use for extended time or when batteries become exhausted.
- Battery installation by an adult is required.
- Dispose of batteries responsibly.
- Do not dispose of in fire.
- To avoid injury, do not touch the rotating parts.
- Do not impact or drop the quadcopter or remote control.
- Please use a clean soft cloth to clean the product.
- The user has the responsibility to ensure that the product will not cause harm to themselves or others. The manufacturers and dealers do not bear any responsibility for injuries or damage to property caused by improper use.
- The packaging and instructions contain information of products, please keep for future reference.

P.6