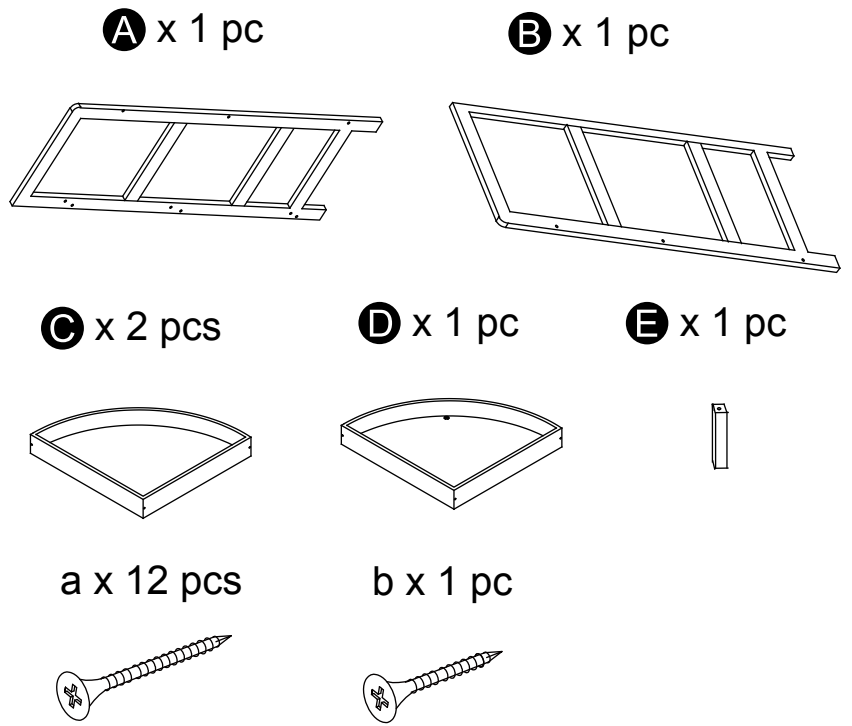
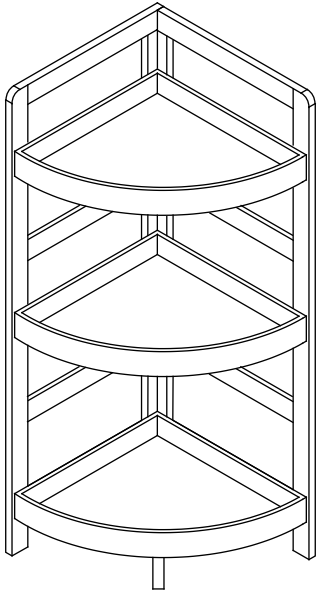
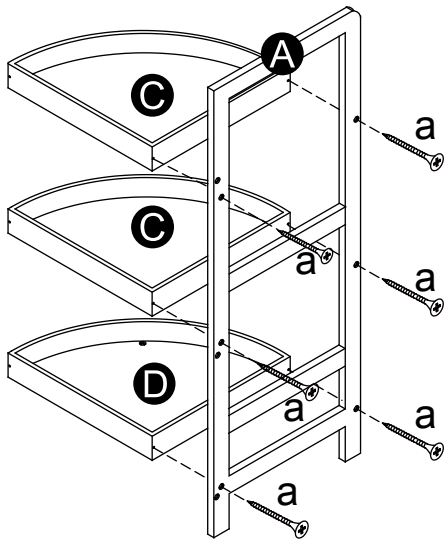


ASSEMBLY INSTRUCTION

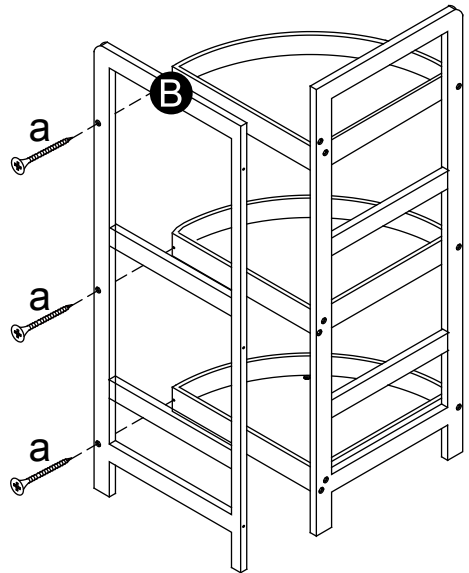
TOOLS REQUIRED: Philips head screwdriver



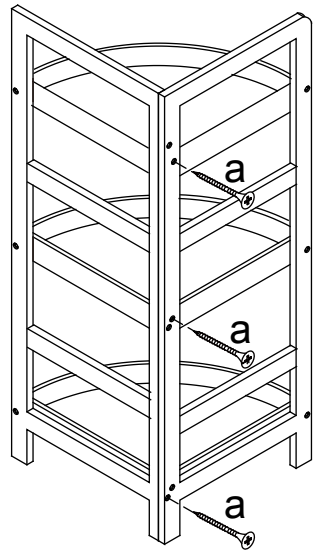
1



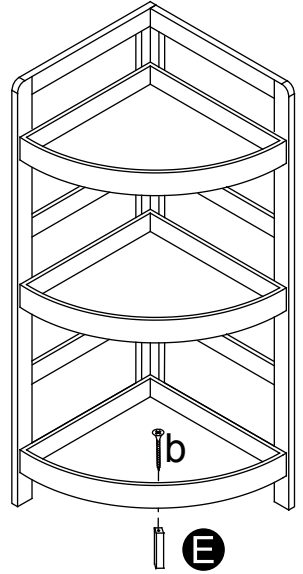
2



3



4



WARNING:

- ADULT ASSEMBLY REQUIRED. HARDWARE CONTAINS SMALL SCREWS WITH SHARP POINTS. KEEP UNASSEMBLED PARTS OUT OF THE REACH OF SMALL CHILDREN.
- PER TIER MAX LOADING CAPACITY: 2KG
- CHECK TIGHTNESS OF SCREWS EVERY 3-4 WEEKS, FAILURE TO FOLLOW THIS WARNING COULD RESULT IN SERIOUS INJURY.