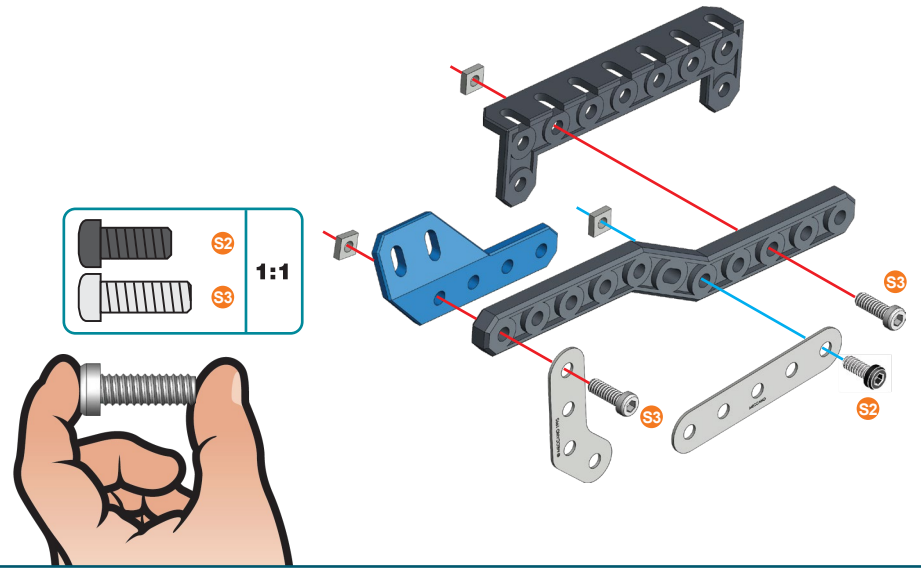


1

	9.5 mm 3/8"	x1
	12 mm 1/2"	x2
		x3
		x1
		x1
		x1
		x1
		x1

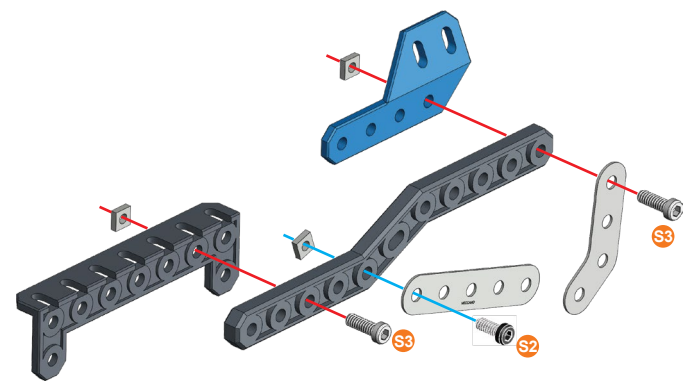
1:1



2

	9.5 mm 3/8"	x1
	12 mm 1/2"	x2
		x3
		x1
		x1
		x1
		x1
		x1

1:1

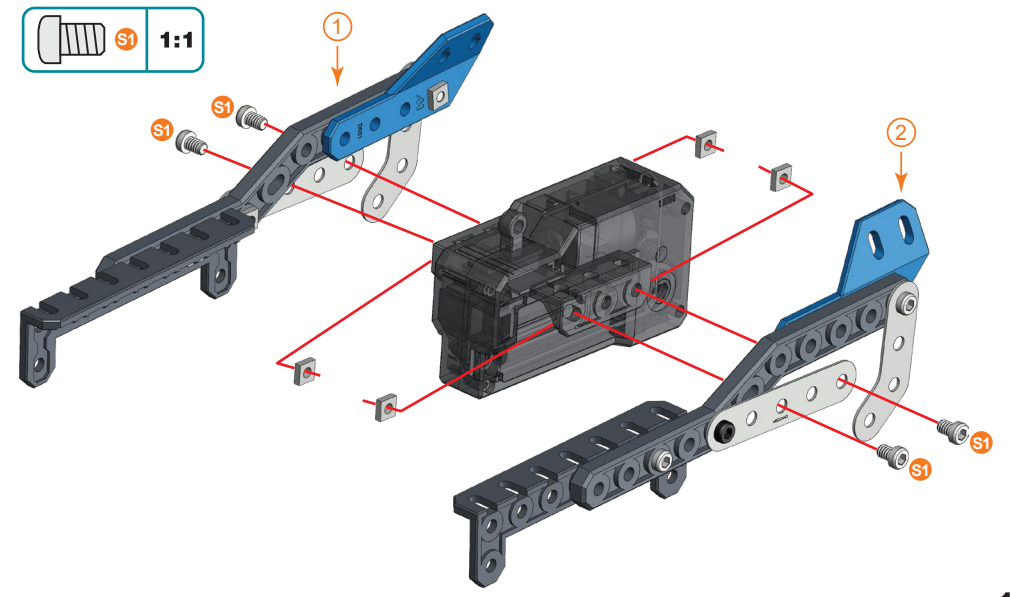


3








①+②+




	5.8 mm 15/64"	x4
		x4

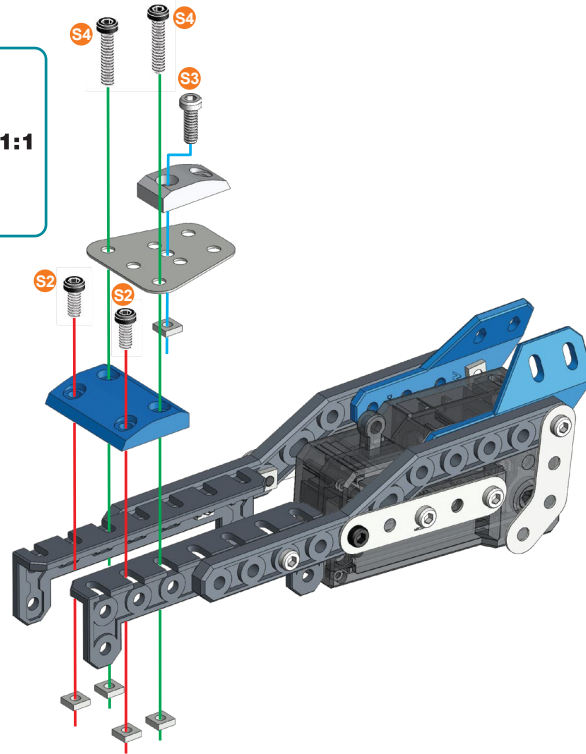
1:1







4

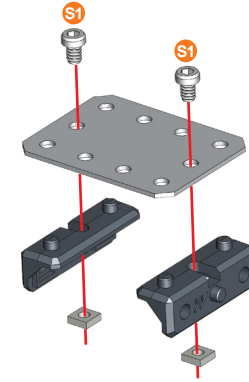
	9.5 mm 3/8"	x2
	12 mm 1/2"	x1
	19 mm 3/4"	x2
		x5
		x1
		x1
		x1






	S2	1:1
	S3	
	S4	

**5**

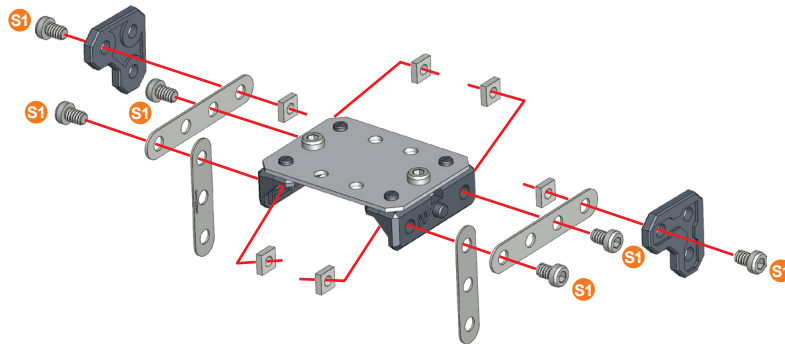
	5.8 mm 15/64"	x2
		x2
		x2
		x1

	S1	1:1
---	----	-----



**6**


	5.8 mm 15/64"	x6
		x6
		x2
		x2
		x2

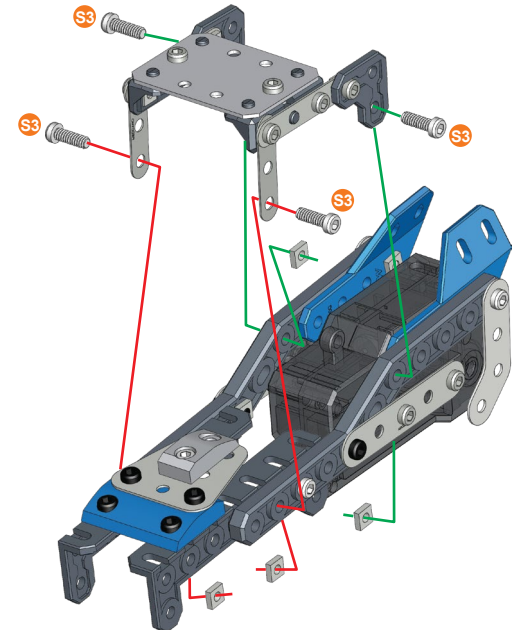
	S1	1:1
--	----	-----

**7**




(4)+(6)+

	12 mm 1/2"	x4
		x4

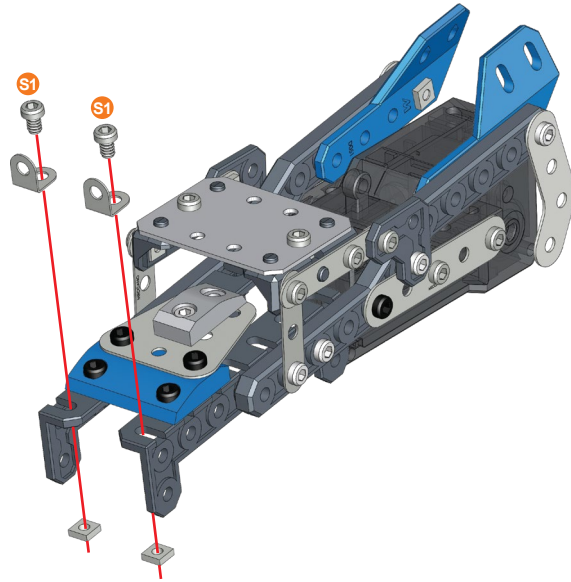
	S3	1:1
---	----	-----






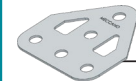
8

-  5.8 mm | 15/64" | x2
-  x2
-  x2

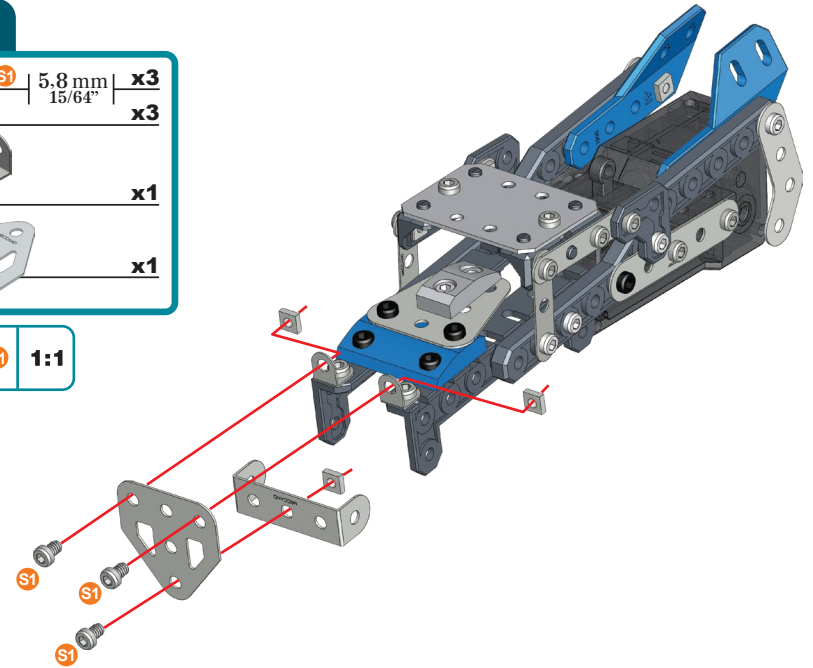
-  1:1






9

-  5.8 mm | 15/64" | x3
-  x3
-  x1
-  x1

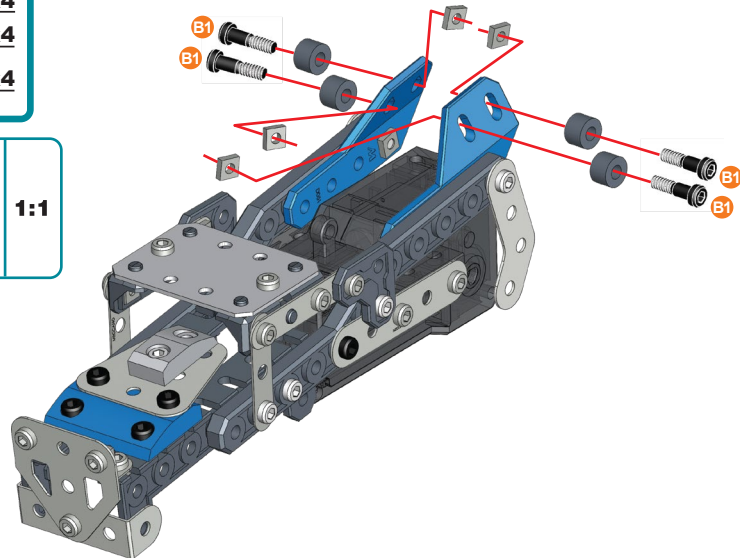
-  1:1





10

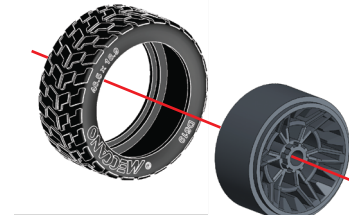
-  14.7 mm | 37/64" | x4
-  x4
-  x4

-  1:1
-  A238




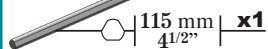
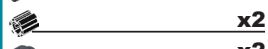

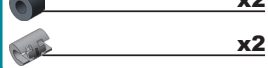
11

-  x4
-  x4



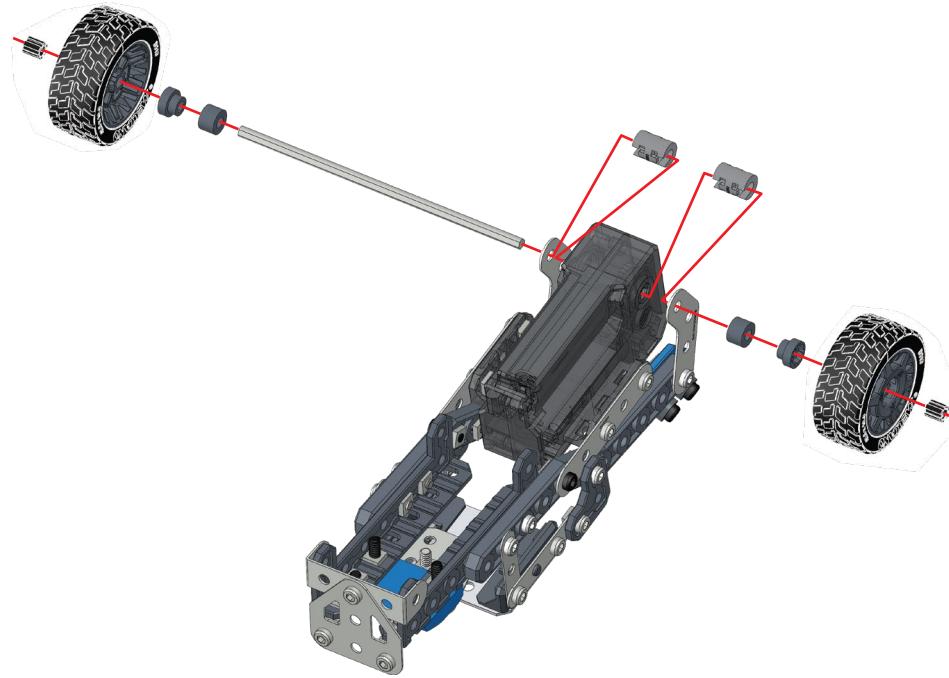
12

10+11+

-  115 mm | 4 1/2" | x1
-  x2
-  x2
-  x2
-  x2


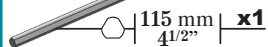
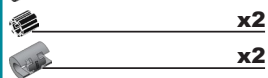


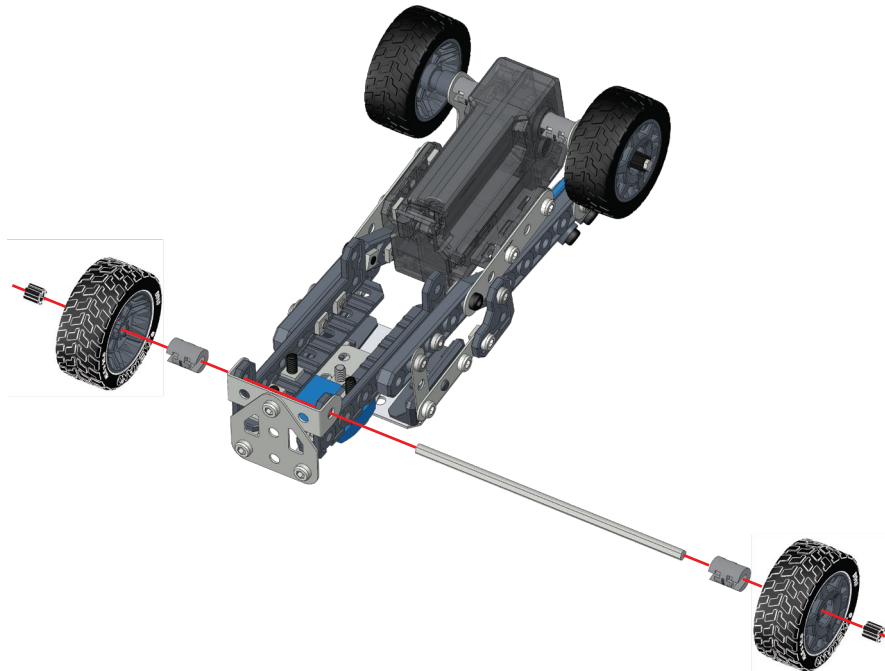
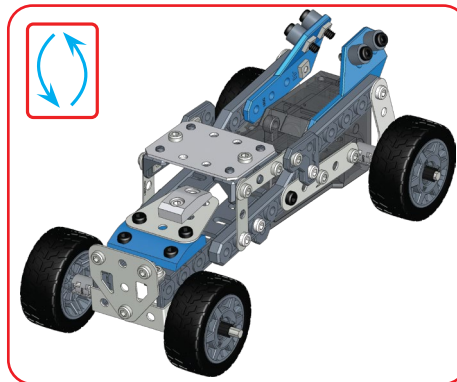
-  A238 1:1



13

11+12+

-  115 mm | 4 1/2" | x1
-  x2
-  x2



ERECTOR™

BY MECCANO™
ENGINEERING & ROBOTICS

INCLUDES
MECCANO

RALLY RACER

10 IN 1

MODELS

18203



8+

Instructions





CONSTRUCTION TIPS

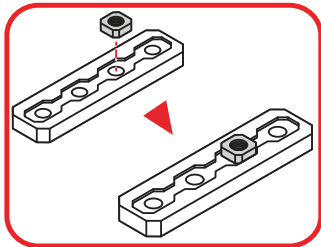
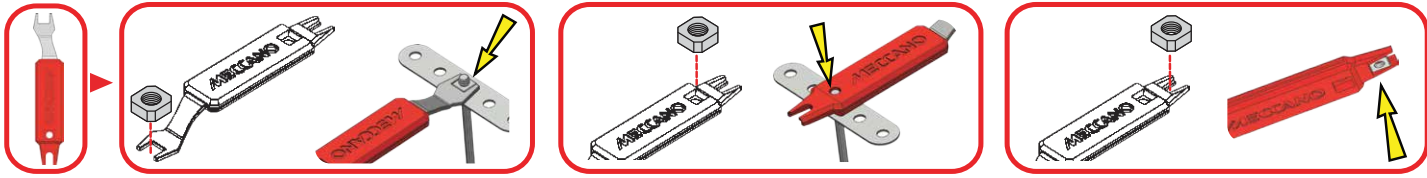
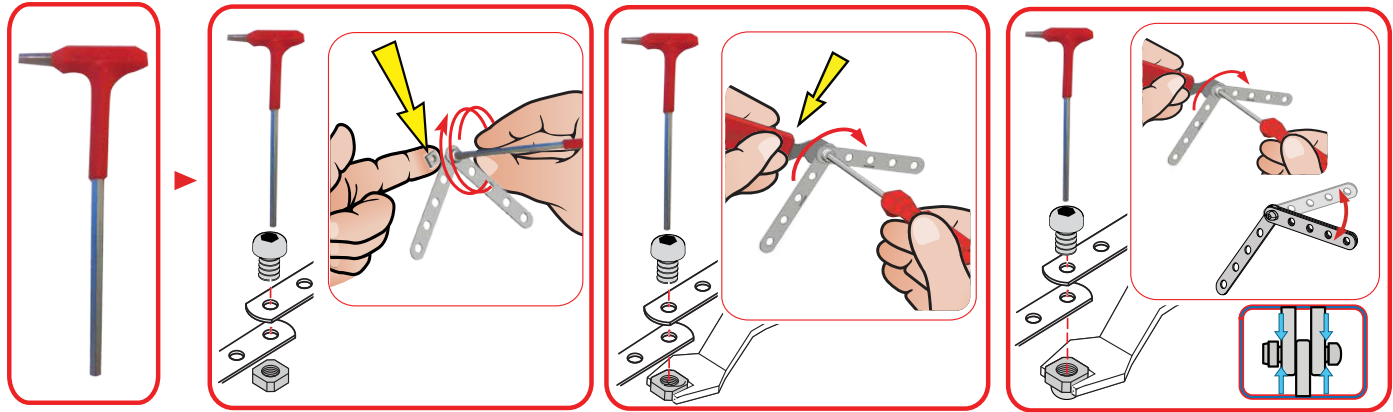


TABLE OF CONTENTS



5



13



22

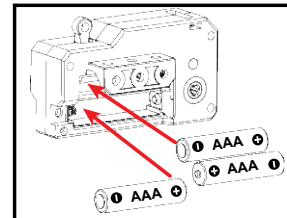
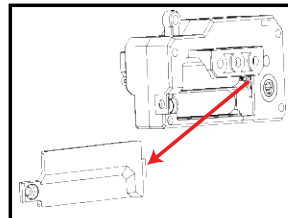
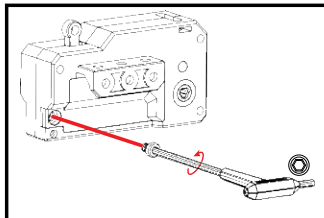
AVAILABLE ONLINE



Content: 159 parts, 2 real tools, 1 Meccablock™ motor and 1 instruction sheet for 3 models.

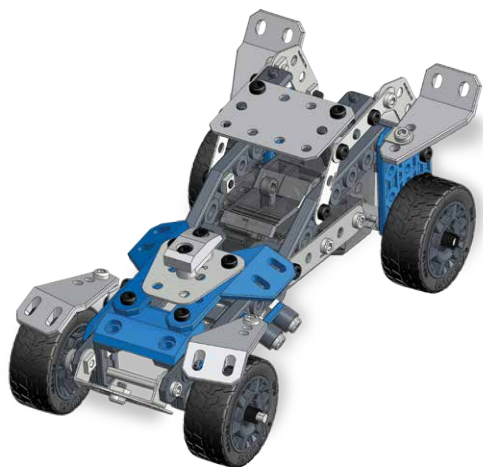
Building instructions for the 7 other models are available at www.meccano.com.

Only one model can be built at a time.



HOW TO INSTALL BATTERIES:

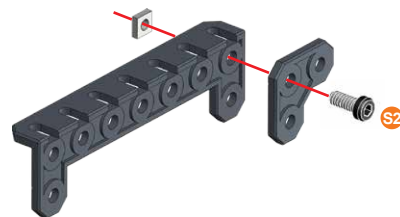
1. Open the battery door with a Meccano wrench.
2. If used batteries are present, remove these batteries from the unit by pulling up on one end of each battery.
DO NOT remove or install batteries using sharp or metal tools.
3. Install new batteries as shown in the polarity diagram (+/-) inside the battery compartment.
4. Replace battery door securely.
5. Check your local laws and regulations for correct recycling and/or battery disposal.



1

	9.5 mm 3/8"	x1
		x1
		x1
		x1

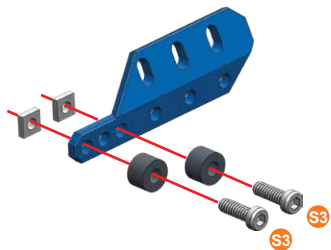
	S2	1:1
--	----	-----



2

	12 mm 1/2"	x2
		x2
		x2
		x1

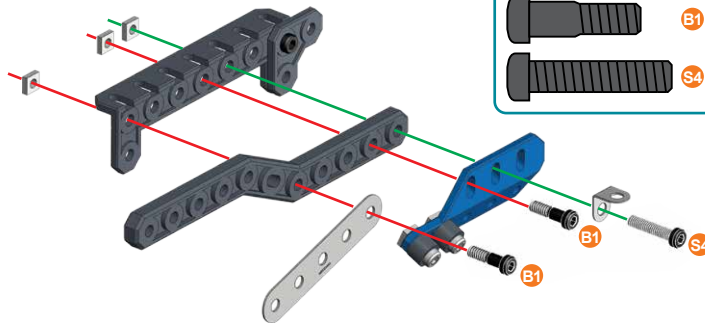
	S3	1:1
	A238	



3 ①+②+

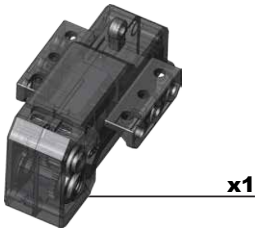
	14.7 mm 37/64"	x2
	19 mm 3/4"	x1
		x1
		x3
		x1

	B1	1:1
	S4	

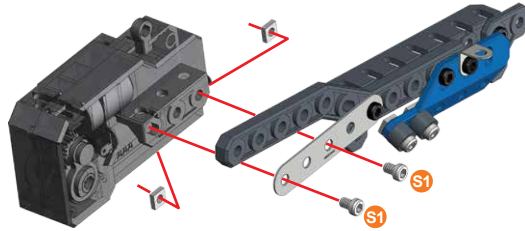


4

S1 | 5,8 mm | x2
15/64" | x2



x1

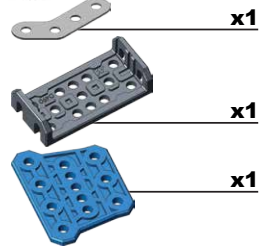


S1 | 1:1



5

S2 | 9,5 mm | x3
3/8" | x3

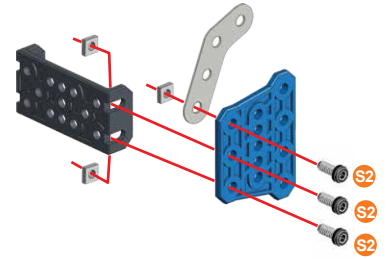


x1

x1

x1

S2 | 1:1



S2

S2

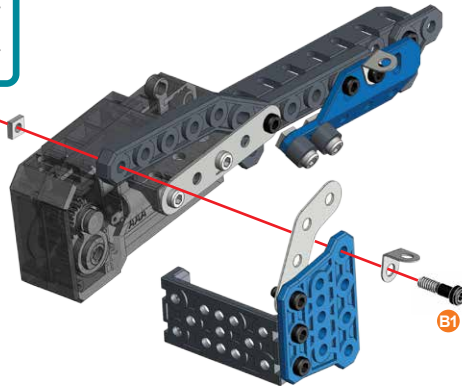
S2

6

(4)+(5)+

B1 | 14,7 mm | x1
37/64" | x1

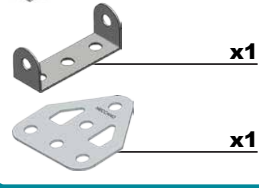
B1 | 1:1



B1

7

S1 | 5,8 mm | x1
15/64" | x1

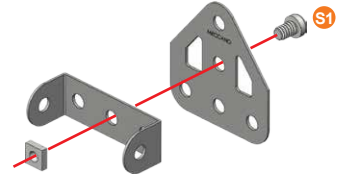


x1

x1

x1



S1 | 1:1




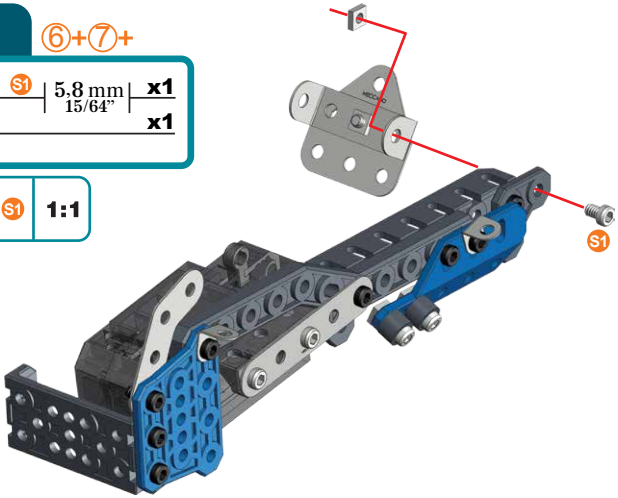
S1

8





⑥+⑦+


	S1 5,8 mm 15/64"	x1
		x1

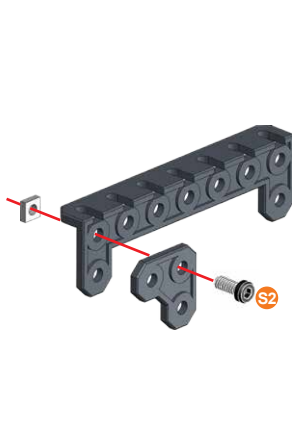
 S1 | 1:1







9


	S2 9,5 mm 3/8"	x1
		x1
		x1
		x1



 S2 | 1:1

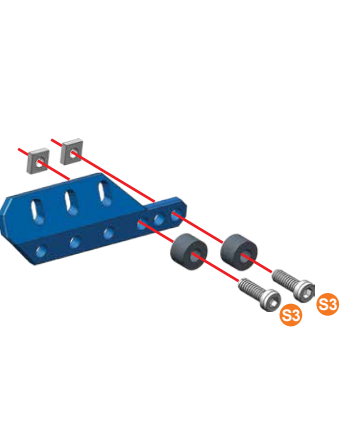


10

	S3 12 mm 1/2"	x2
		x2
		x2
		x1






 S3 | 1:1


  A238 | 1:1




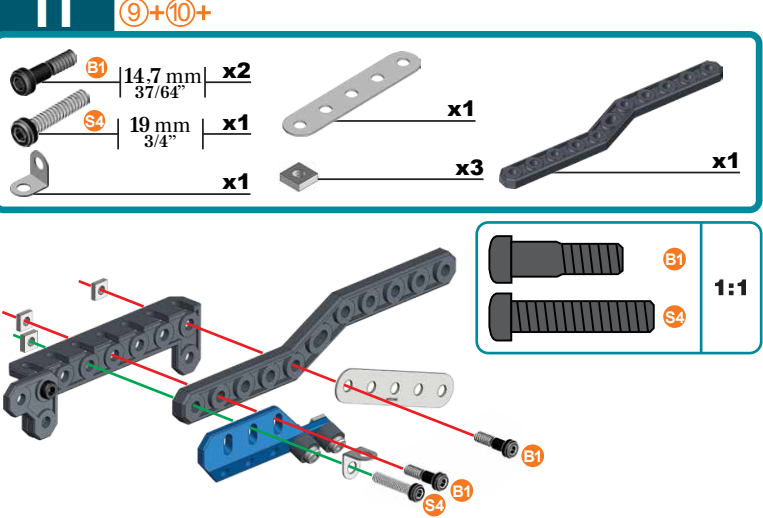
11

⑨+⑩+

	B1 14,7 mm 37/64"	x2
	S4 19 mm 3/4"	x1
		x1
		x3
		x1

 B1 | 1:1

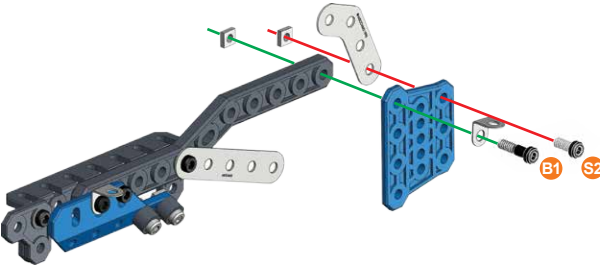
 S4 | 1:1



12

	9,5 mm 3/8"	x1
	14,7 mm 37/64"	x1
		x2
		x1
		x1
		x1

	S2	1:1
	B1	



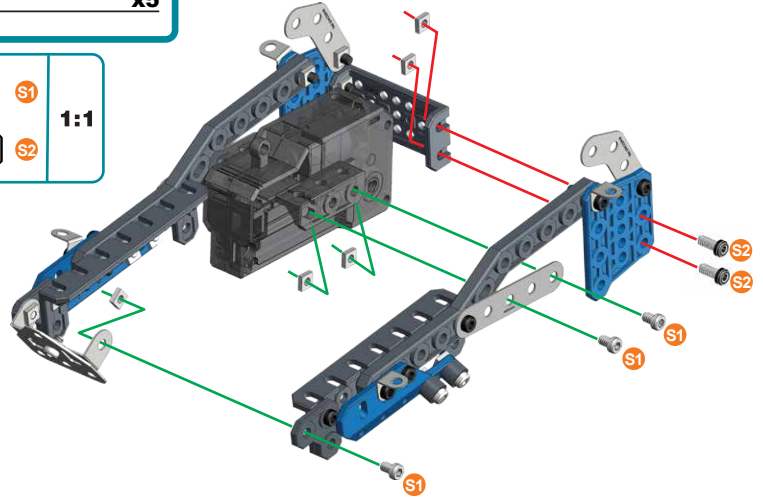
13

(8)+(12)+

	5,8 mm 15/64"	x3
	9,5 mm 3/8"	x2
		x5



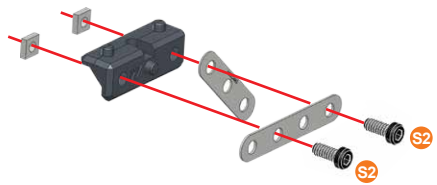
	S1	1:1
	S2	



14


	9,5 mm 3/8"	x2
		x2
		x1
		x1
		x1

	S2	1:1
--	-----------	------------

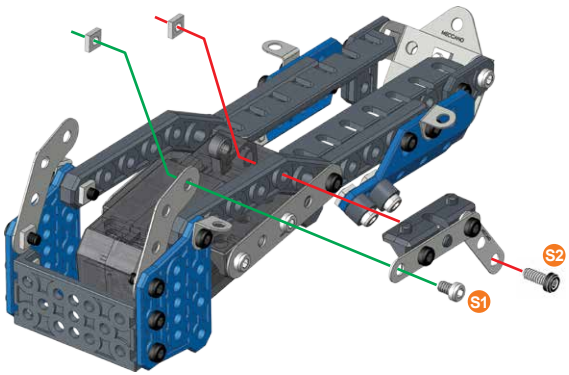


15

	S1	5.8 mm 15/64"	x1
	S2	9.5 mm 3/8"	x1
			x2



	S1	1:1
	S2	



16


	S2	9.5 mm 3/8"	x2
			x1
			x1
			x1

	S2	1:1
--	----	-----




17

	S1	5.8 mm 15/64"	x1
	S2	9.5 mm 3/8"	x1
			x2

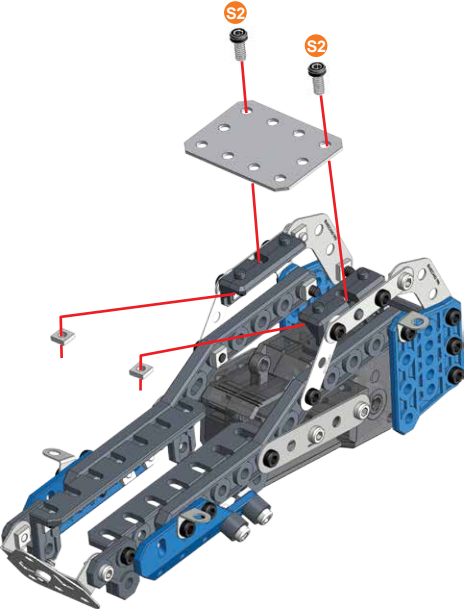
	S1	1:1
	S2	



18

	9,5 mm	x2
		x2
		x1

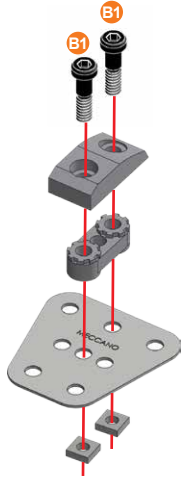
	1:1
---	------------



19









	14,7 mm	x2
	37/64"	x2
		x1
		x1
		x1



	1:1
---	------------

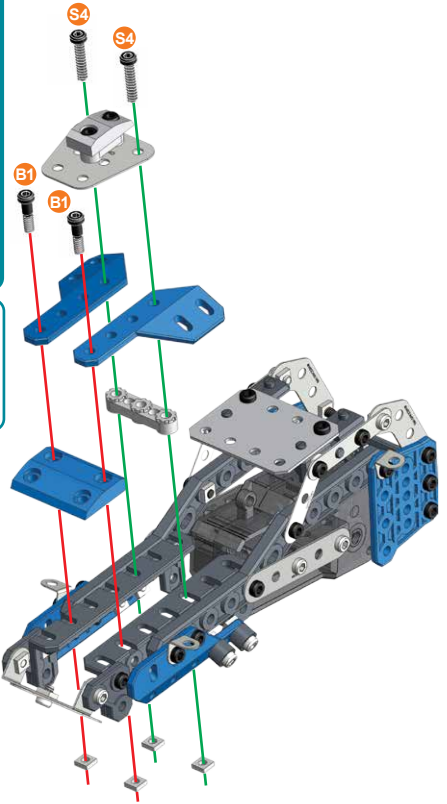


20

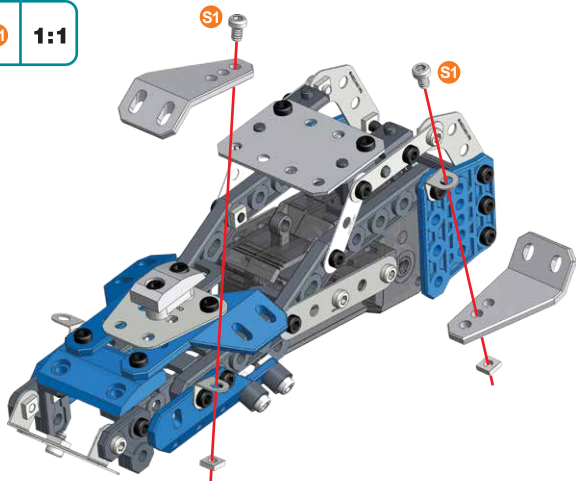
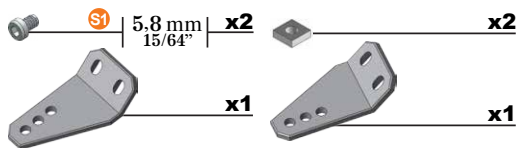
(18)+(19)+

	14,7 mm	x2
	37/64"	x2
	19 mm	x2
	3/4"	x4
		x1
		x1
		x1
		x1

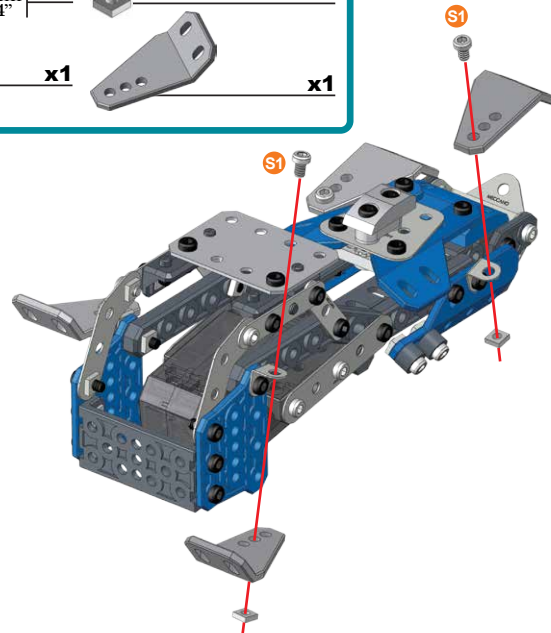
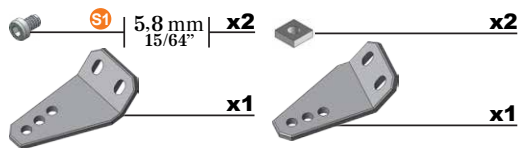
	B1	1:1
	S4	



21



22



23



x2






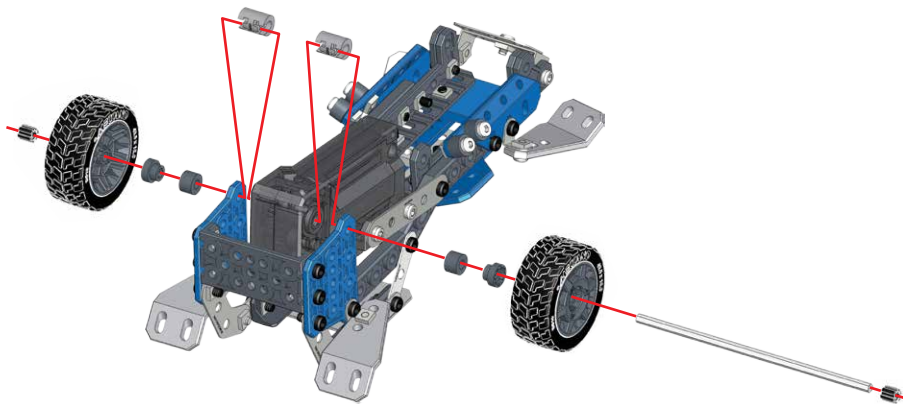
x2



24




(22)+(23)+

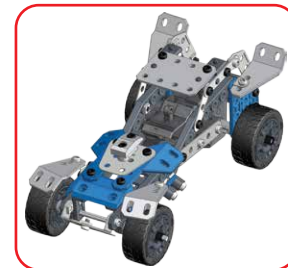
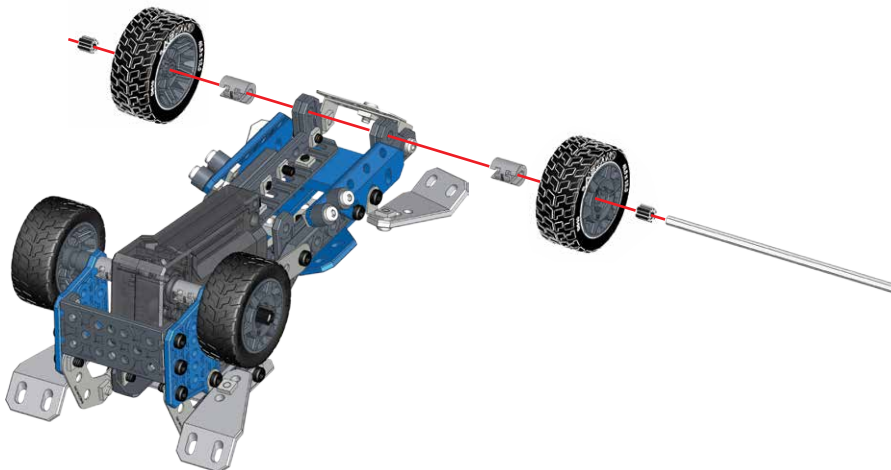
-  115 mm $4\frac{1}{2}$ " | **x1**
-  **x2**
-  **x2**
-  **x2**
-  **x2**



25

(23)+(24)+

-  115 mm $4\frac{1}{2}$ " | **x1**
-  **x2**
-  **x2**





1

	14.7 mm 37/64"	x2
		x2
		x2
		x1

B1 1:1

2

	9.5 mm 3/8"	x2
		x2
		x2

	S2	1:1
--	-----------	-----

S2



3

	9.5 mm 3/8"	x2
		x2
		x1

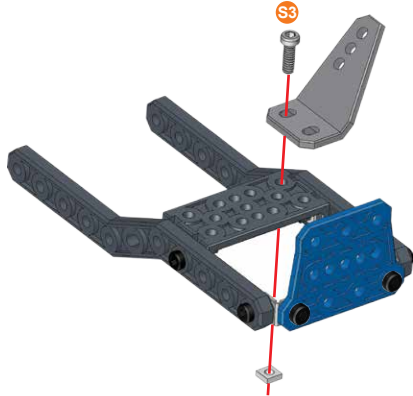
	S2	1:1
--	-----------	-----

S1



4

-  S3 | 12 mm | x1
1/2"
-  x1

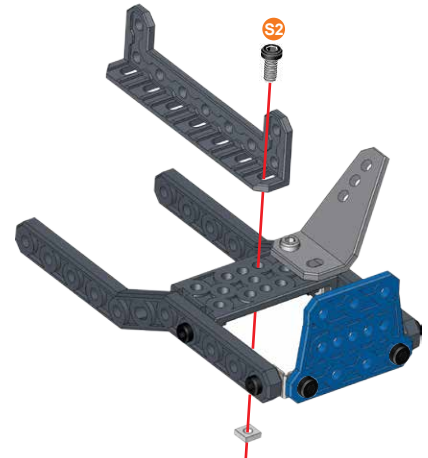
-  S3 | 1:1




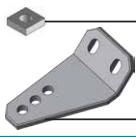
5

-  S2 | 9.5 mm | x1
3/8"
-  x1

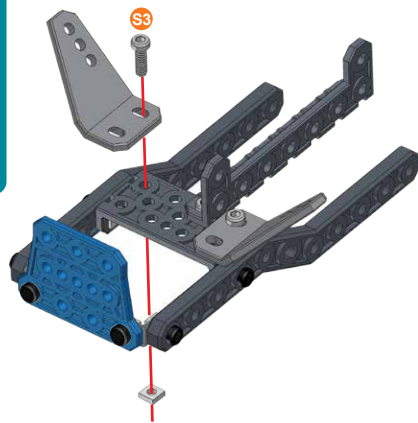
-  S2 | 1:1





6

-  S3 | 12 mm | x1
1/2"
-  x1

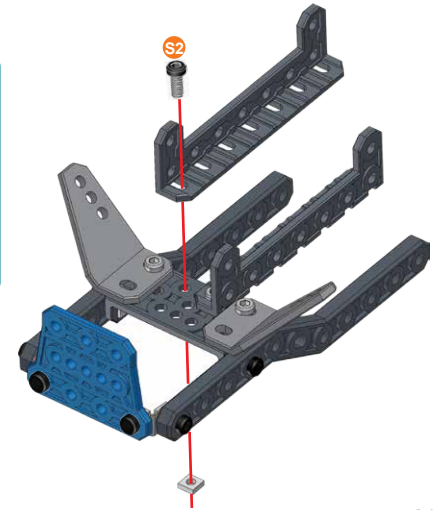
-  S3 | 1:1







7

-  S2 | 9.5 mm | x1
3/8"
-  x1

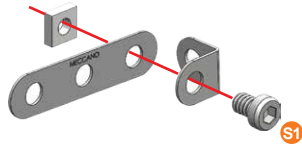
-  S2 | 1:1







8

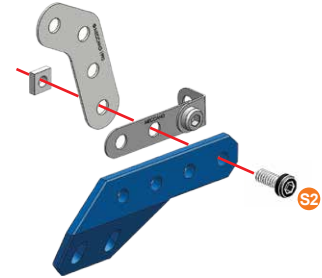
	S1 5,8 mm x1 15/64"
	x1
	x1
	x1





	S1 1:1
---	------------------------


**9**

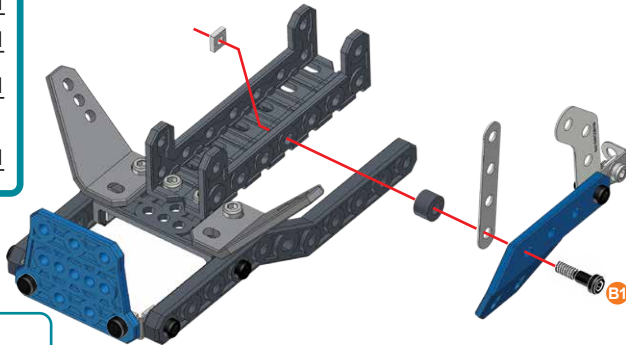
	S2 9,5 mm x1 3/8"
	x1
	x1
	x1





	S2 1:1
---	------------------------

**10****⑦+⑨+**

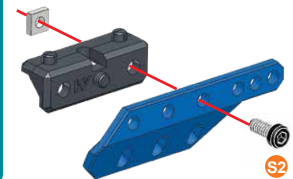
	B1 14,7 mm x1 37/64"
	x1
	x1
	x1

	B1	1:1
	A238	




**11**


	S2 9,5 mm x1 3/8"
	x1
	x1
	x1

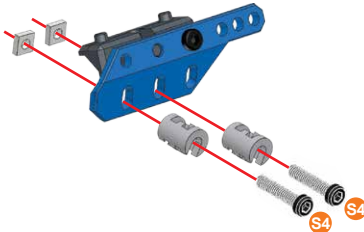
	S2 1:1
--	------------------------



12



	19 mm 3/4"	x2
		x2
		x2


	S4	1:1
---	----	-----

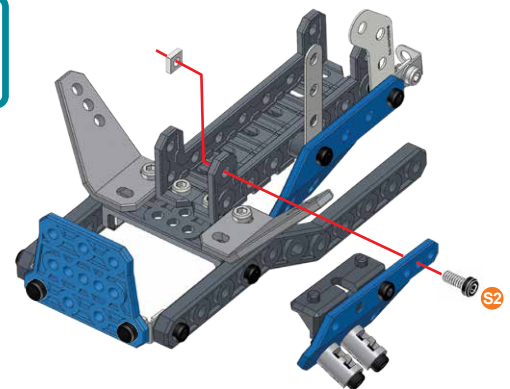


13





10+12+


	9,5 mm 3/8"	x1
		x1

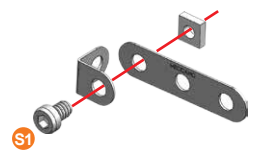
	S2	1:1
---	----	-----






14


	5,8 mm 15/64"	x1
		x1
		x1
		x1

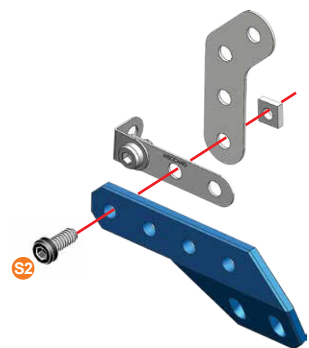
	S1	1:1
---	----	-----



15



	9,5 mm 3/8"	x1
		x1
		x1



	S2	1:1
--	----	-----

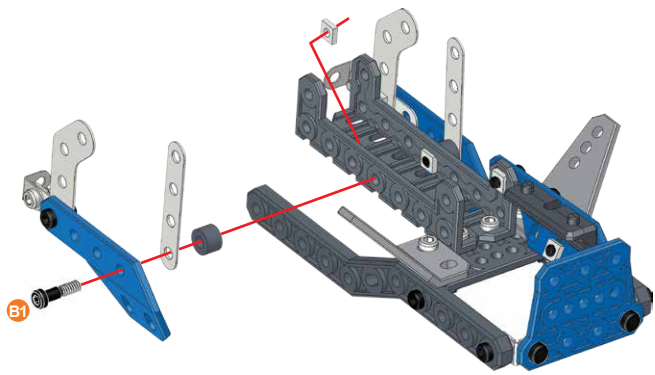


16







⑬+⑮+

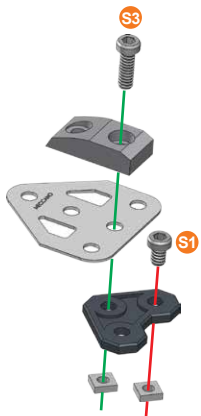
	14.7 mm 37/64"	x1
		x1
		x1
		x1

	B1	A238	1:1
			



17

	5.8 mm 15/64"	x1
	12 mm 1/2"	x1
		x2
		x1
		x1
		x1

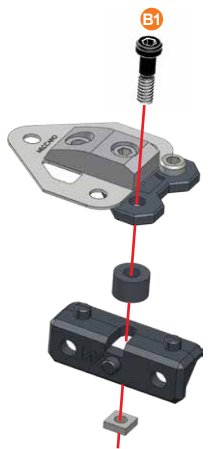


	S3	1:1
	S1	




18

	14.7 mm 37/64"	x1
		x1
		x1
		x1

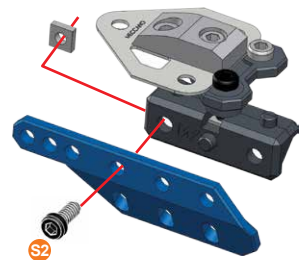
	B1	A238	1:1
			






19


	9.5 mm 3/8"	x1
		x1
		x1

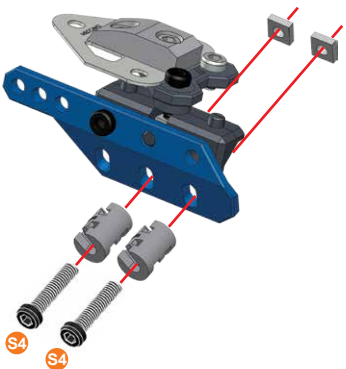
	S2	1:1
---	----	-----



20



	19 mm 3/4"	x2
		x2
		x2

	1:1
---	------------

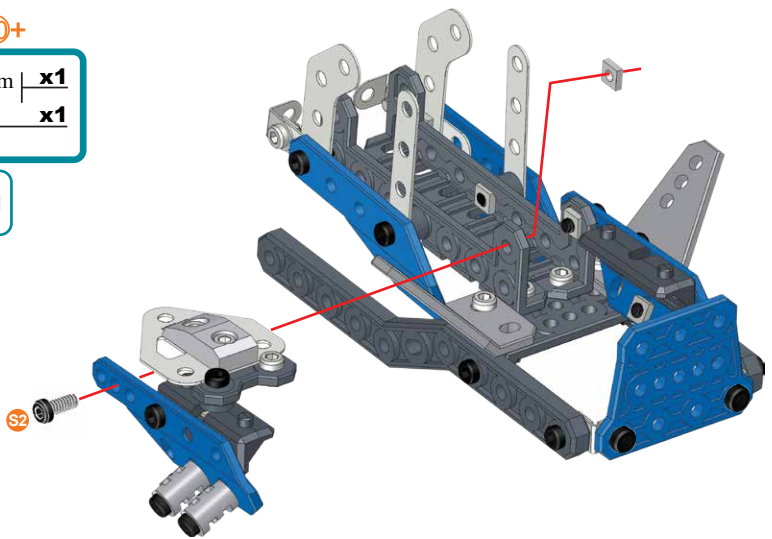


21





⑩+⑪+

	9.5 mm 3/8"	x1
		x1

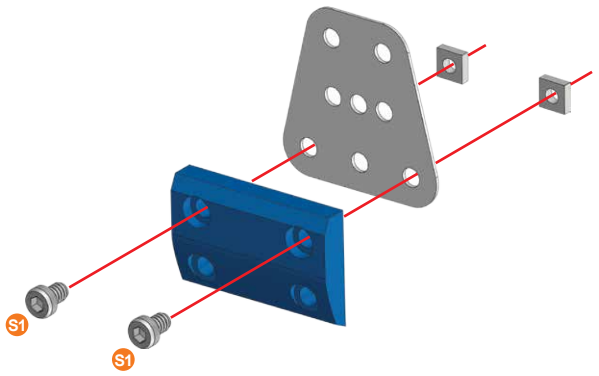
	1:1
---	------------





22

	5.8 mm 15/64"	x2
		x2
		x1
		x1

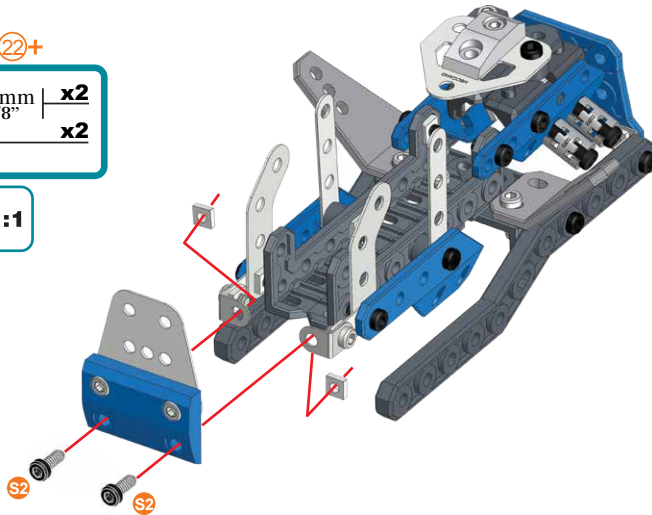
	1:1
---	------------






23 (21)+(22)+

	9,5 mm	x2
		x2

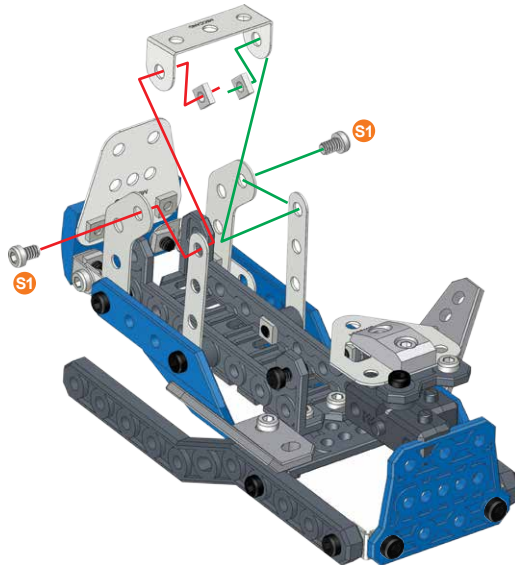
	1:1
---	------------






24

	5,8 mm	x2
	15/64"	x2
		x1

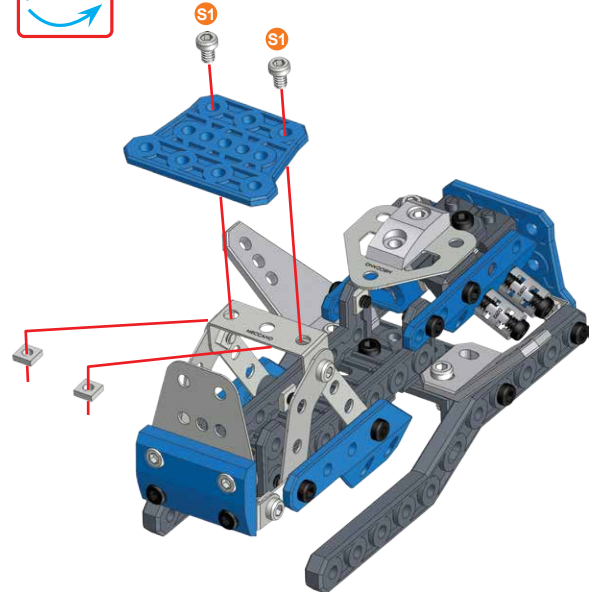
	1:1
--	------------








25

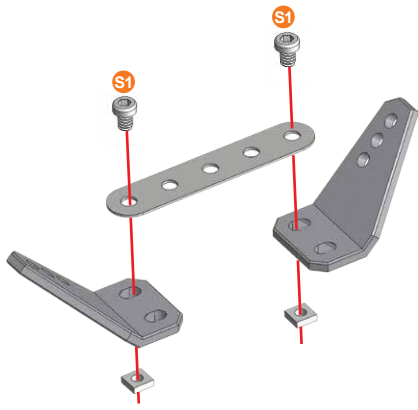
	5,8 mm	x2
	15/64"	x2
		x1

	1:1
---	------------






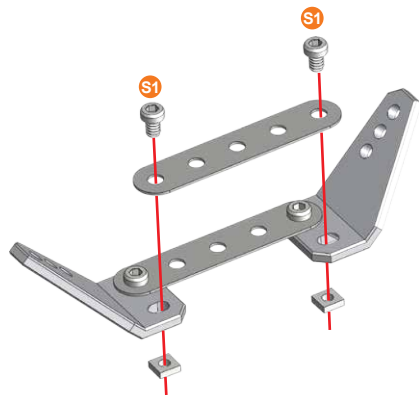
26

-  | 5.8 mm | **x2**
15/64"
-  **x2**
-  **x1**
-  **x1**
-  **x1**






27

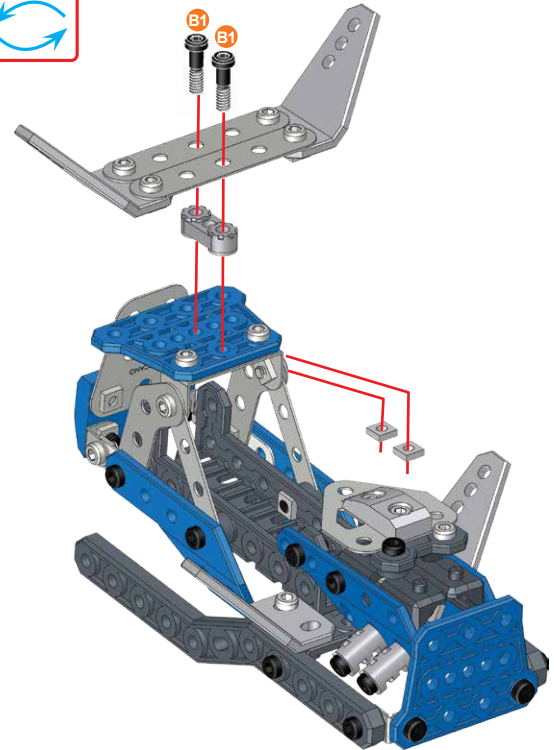
-  | 5.8 mm | **x2**
15/64"
-  **x2**
-  **x1**



28

(25)+(27)+

-  | 14.7 mm | **x2**
37/64"
-  **x2**
-  **x1**



29



x2

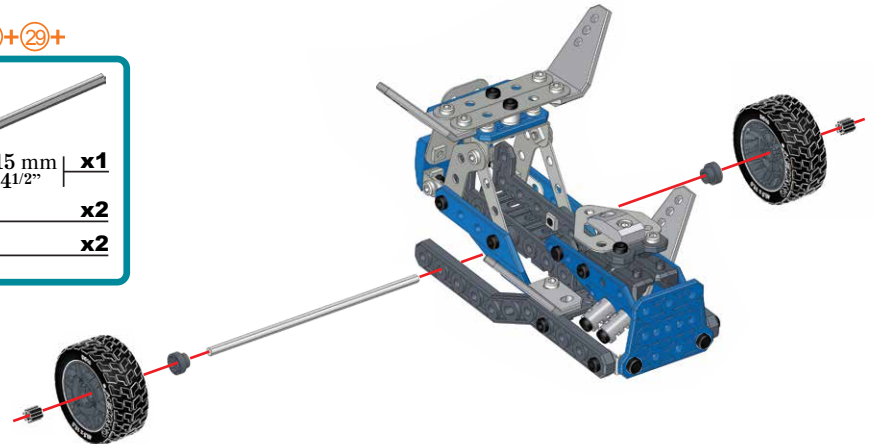
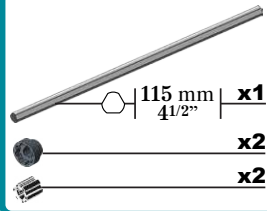


x2



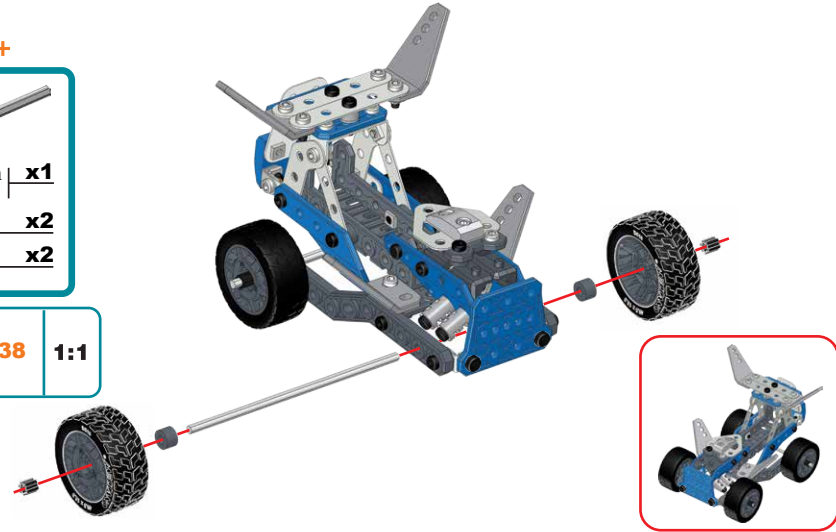
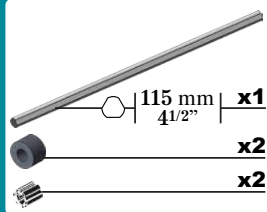
30

28+29+



31

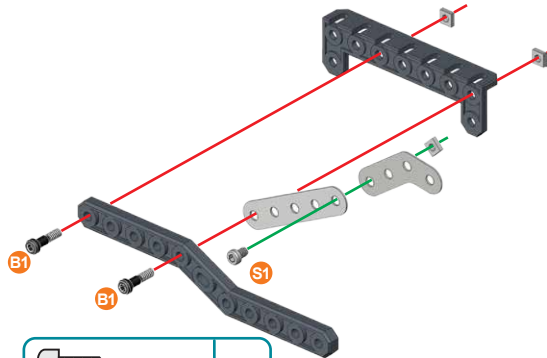
29+30+





1

- | | | |
|--|-------------------|-----------|
| | 5.8 mm
15/64" | x1 |
| | 14.7 mm
37/64" | x2 |
| | | x3 |
| | | x1 |
| | | x1 |
| | | x1 |
| | | x1 |



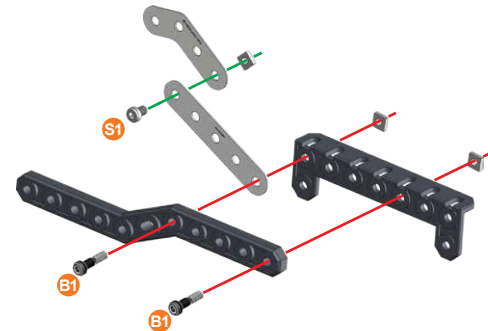
- | | | |
|--|----|------------|
| | S1 | 1:1 |
| | B1 | |



2





- | | | |
|--|-------------------|-----------|
| | 5.8 mm
15/64" | x1 |
| | 14.7 mm
37/64" | x2 |
| | | x3 |
| | | x1 |
| | | x1 |
| | | x1 |
| | | x1 |


- | | | |
|--|----|------------|
| | S1 | 1:1 |
| | B1 | |

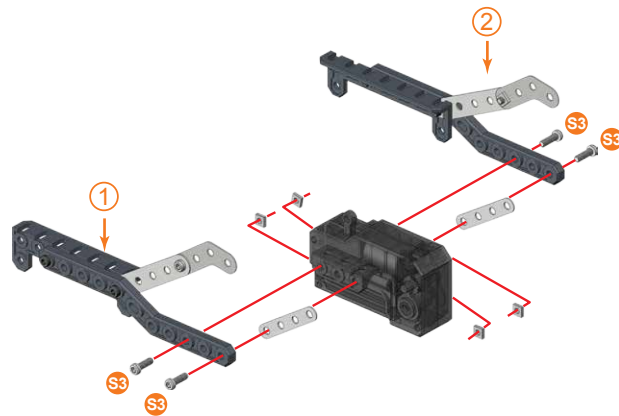


3





①+②+


	12 mm	x4
		x4
		x2
		x1

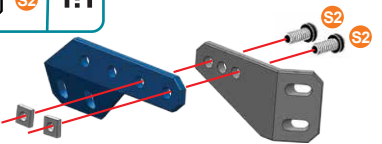
	1:1
---	-----







4


	9.5 mm	x2
		x2
		x1
		x1

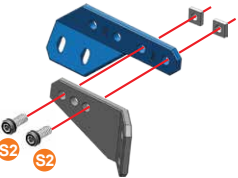
	1:1
---	-----



5




	9.5 mm	x2
		x2
		x1
		x1




	1:1
---	-----

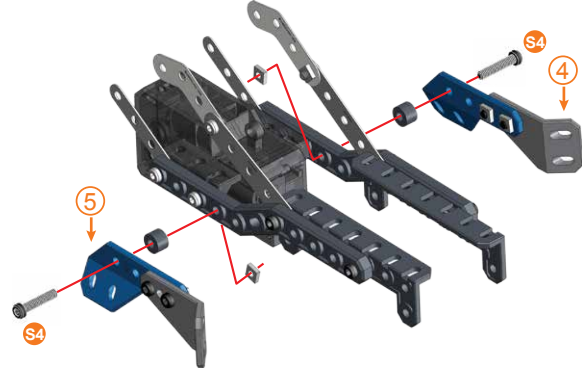


6









④+⑤+

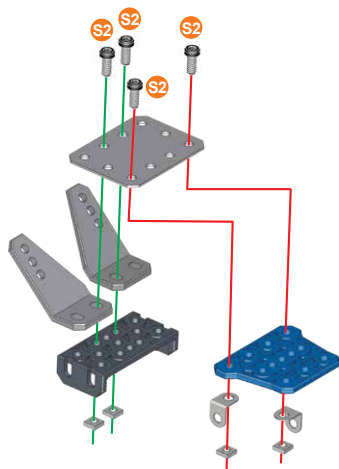
	19 mm	x2
		x2
		x2

		A238	1:1
			



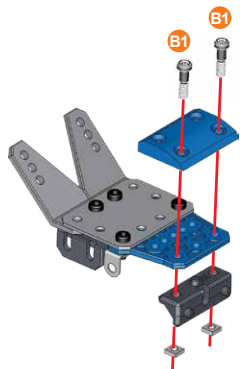
7

-  **S2** | 9.5 mm | **x4**
3/8"
-  **x4**
-  **x2**
-  **x1**
-  **x1**
-  **x1**
-  **x1**
-  **x1**







8

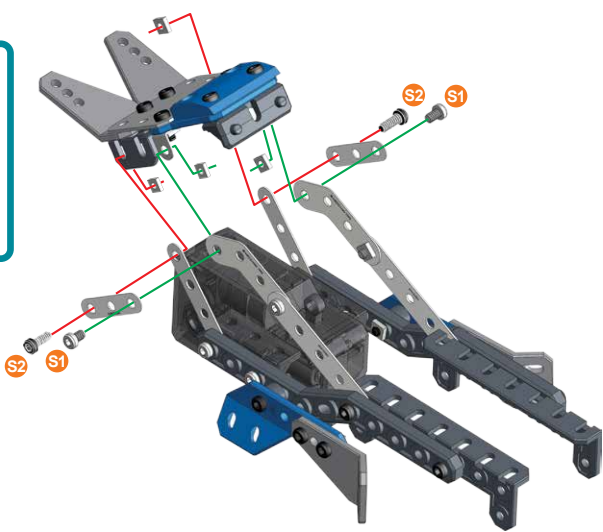
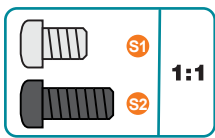
-  **B1** | 14.7 mm | **x2**
37/64"
-  **x2**
-  **x1**
-  **x1**





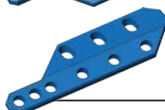
9



⑥+⑧+

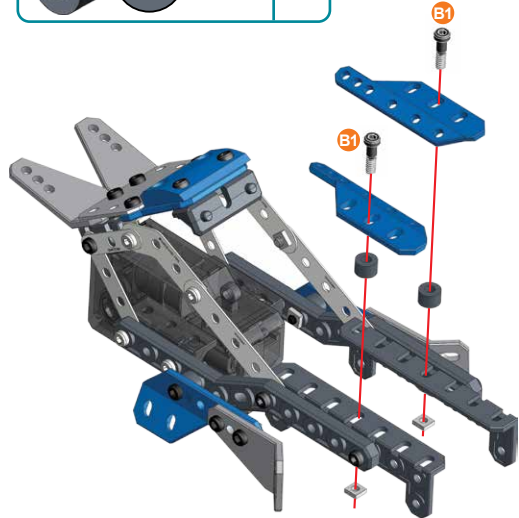
-  **S1** | 5.8 mm | **x2**
15/64"
-  **S2** | 9.5 mm | **x2**
3/8"
-  **x4**
-  **x2**








10



	14,7 mm 37/64"	x2
		x2
		x2
		x1
		x1

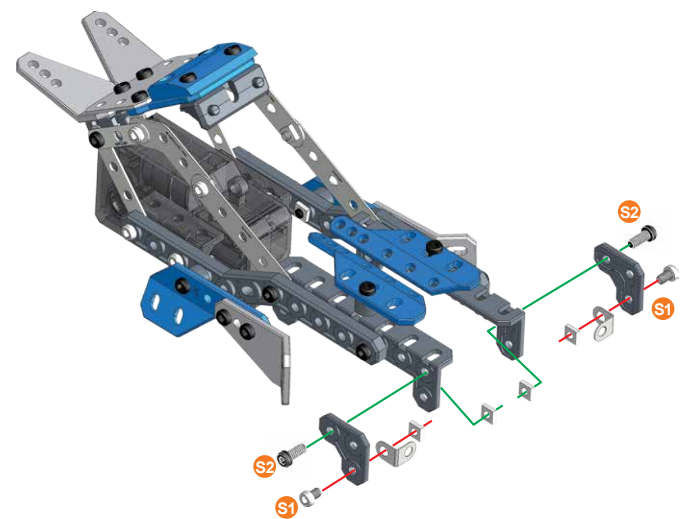
	B1	1:1
	A238	






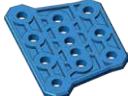
11

	5,8 mm 15/64"	x2
	9,5 mm 3/8"	x2
		x4
		x2
		x2

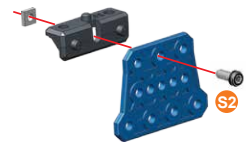
	S1	1:1
	S2	






12

	9,5 mm 3/8"	x1
		x1
		x1
		x1

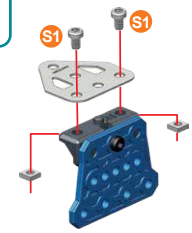
	S2	1:1
---	----	-----







13

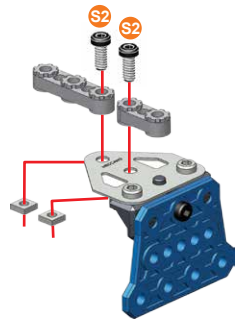
	5,8 mm 15/64"	x2
		x2
		x1

	S1	1:1
--	----	-----



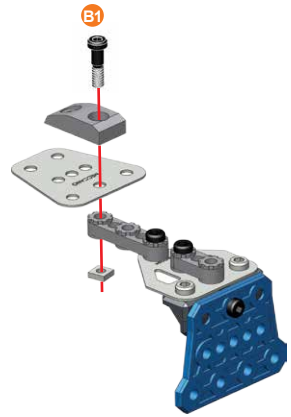
14

-  **S2** | 9.5 mm | **x2**
3/8"
-  **x2**
-  **x1**
-  **x1**





15

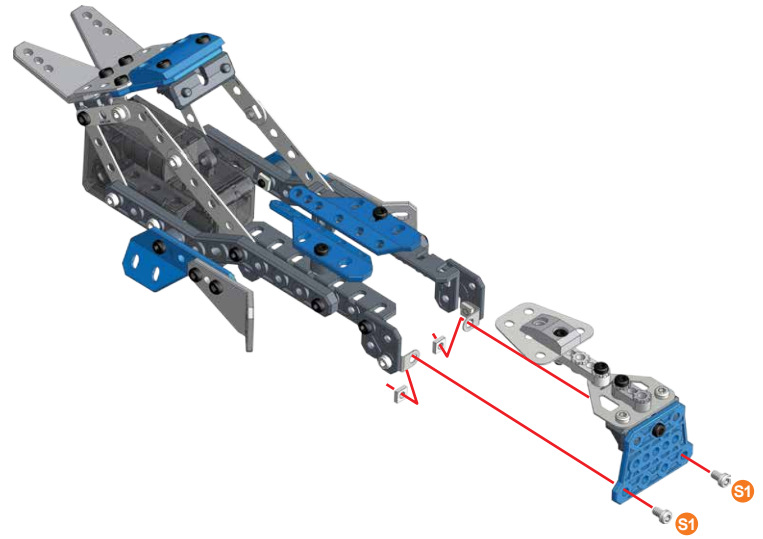
-  **B1** | 14.7 mm | **x1**
37/64"
-  **x1**
-  **x1**
-  **x1**



16

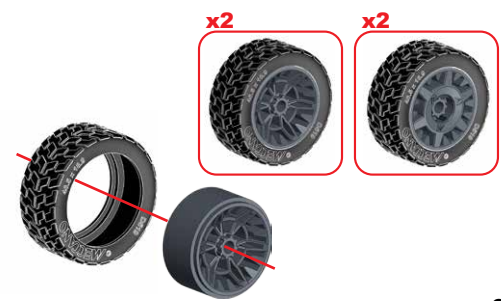
(11)+(15)+

-  **S1** | 5.8 mm | **x2**
15/64"
-  **x2**



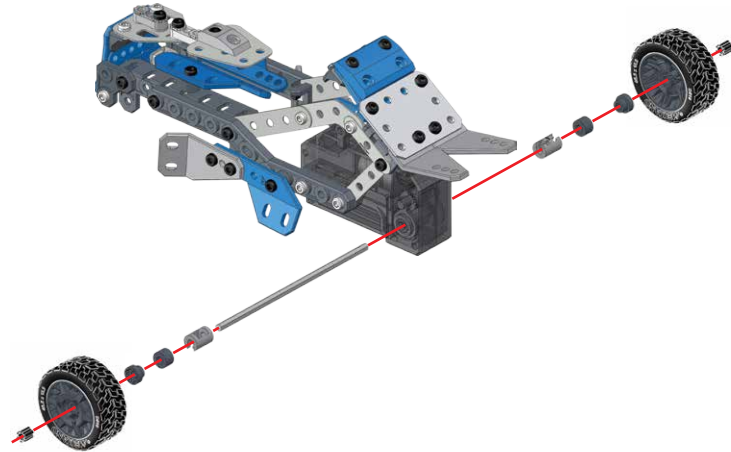
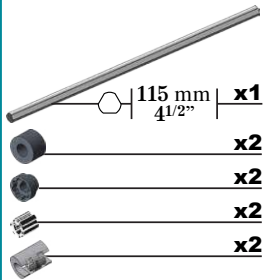
17

-  **x4**
-  **x4**



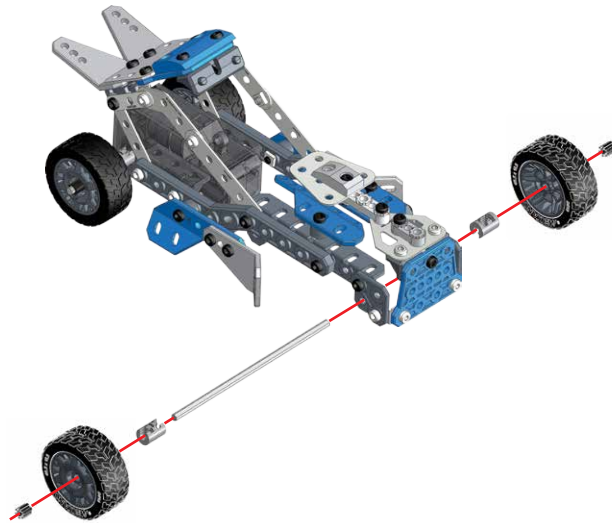
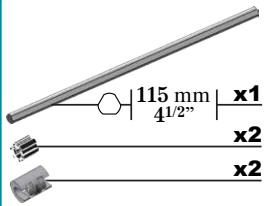
18

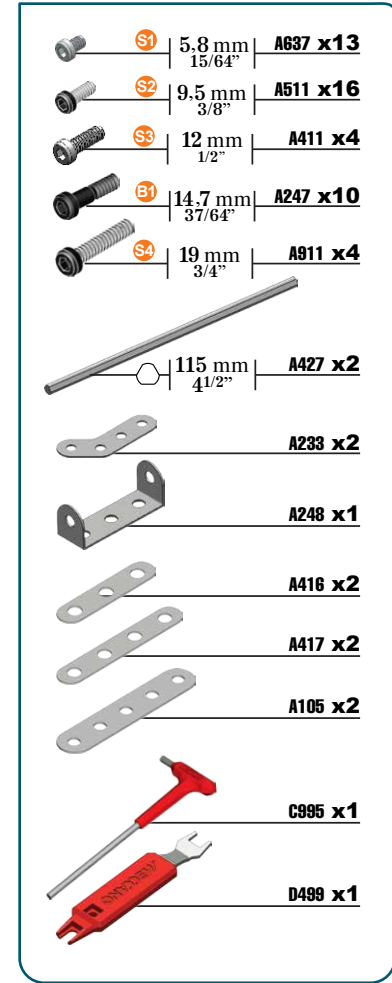
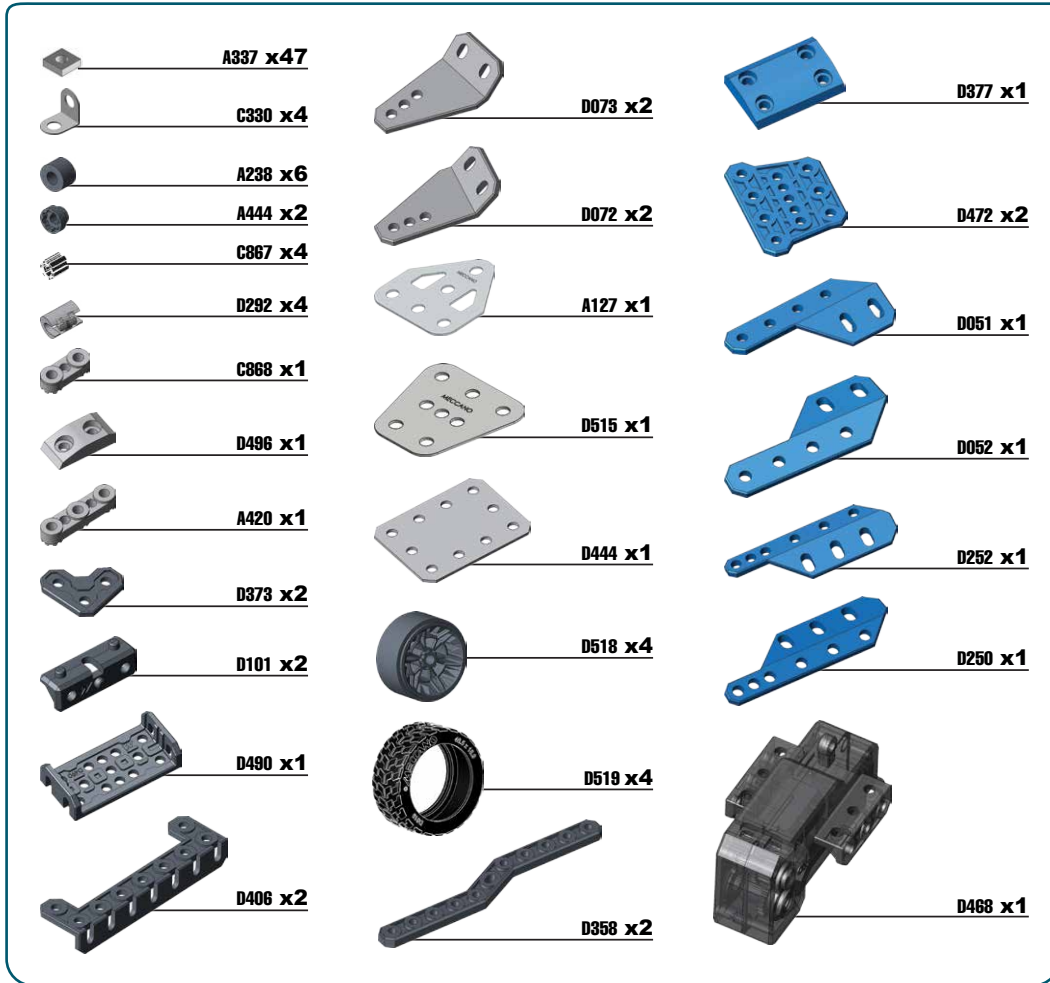
(16)+(17)+



19

(17)+(18)+







Requires 3 x 1.5V AAA (LR03) batteries (not included). Batteries or battery packs must be recycled or disposed of properly. When this product has reached the end of its useful life it should not be disposed of with other household waste. The Waste Electrical and Electronic Equipment Regulations require it to be separately collected so that it can be treated using the best available recovery and recycling techniques. This will minimize the impact on the environment and human health from soil and water contamination by any hazardous substances, decrease the resources required to make new products and avoid using up landfill space. Please do your part by keeping this product out of the municipal waste stream! The "wheelie bin" symbol means that it should be collected as "waste electrical and electronic equipment". You can return an old product to your retailer when you buy a similar new one. For other options, please contact your local council.

Remove all packaging before use. Retain this information, addresses and phone numbers for future reference. Content may vary from pictures. An adult should periodically check this toy to ensure no damage or hazards exist, if so, remove from use. Children should be supervised during play. Adult supervision advised. Meccano reserves the right to discontinue use of the www.meccano.com website at any time.

BATTERY SAFETY INFORMATION: Requires 3 x 1.5V AAA (LR03) batteries (not included). Batteries are small objects. Replacement of batteries must be done by adults. Follow the polarity (+/-) diagram in the battery compartment. Promptly remove dead batteries from the toy. Dispose of used batteries properly. Remove batteries for prolonged storage. Only batteries of the same or equivalent type as recommended are to be used. DO NOT incinerate used batteries. DO NOT dispose of batteries in fire, as batteries may explode or leak. DO NOT mix old and new batteries or types of batteries (i.e. alkaline/standard/rechargeable). Using rechargeable batteries is not recommended due to possible reduced performance. Rechargeable batteries are only to be charged under adult supervision. Replaceable-rechargeable batteries are to be removed from the toy before being charged. DO NOT recharge non-rechargeable batteries. DO NOT short-circuit the supply terminals.

TM & © 2018 MECCANO for packaging, instructions and models built with this set. ® MECCANO and ERECTOR are exclusive trademarks of MECCANO. Spin Master logo is a trademark of Spin Master Ltd. All rights reserved.

The toy is not to be connected to more than the recommended number of power supplies.



DO NOT RETURN TO THE STORE.
1-800-622-8339
CUSTOMERCARE@SPINMASTER.COM
WWW.SPINMASTER.COM

Meets CPSC safety requirements.

SPIN MASTER LTD., 450 FRONT STREET WEST,
TORONTO, ON M5V 1B6 CANADA.

Spin Master Inc., PMB #10053, 300 International Drive,
Suite 100, Williamsville, NY 14221.

www.spinmaster.com

Meccano: 363, avenue de Saint-Exupéry
62100 Calais - France

Made in France



T91786_0019_20103092_NEN_ISW_R1(MEC_Rally_Racer_Fr)

MECCANO™

ENGINEERING & ROBOTICS

INCLUDES **MECCABLOCK™ MOTOR**
MOTEUR MECCABLOCK™ INCLUS

RALLY RACER
VOITURE DE RALLYE

10 IN 1

MODELS • MODÈLES

18203



 **8+**

Instructions
Notice de montage
Instrucciones de construcción
Bauanleitung

Bouwinstructie
Istruzioni
Instruções
Инструкции

Instrukcja
Pokyny
Útmutató
Instrucțiuni





CONSTRUCTION TIPS / ASTUCES DE CONSTRUCTION

TIPS DE CONSTRUCCIÓN / TIPPS ZUM BAUEN / MONTAGETIPS / SUGGERIMENTI PER COSTRUIRE
DICAS DE MONTAGEM / РЕКОМЕНДАЦИИ ПО СБОРКЕ / WSKAZÓWKI BUDOWANIA
KONSTRUKČNÍ TIPY / TIPY NA MONTÁŽ / ÖSSZESZERELÉSI TIPPEK / SFATURI PENTRU CONSTRUIRE

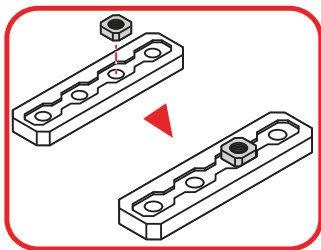
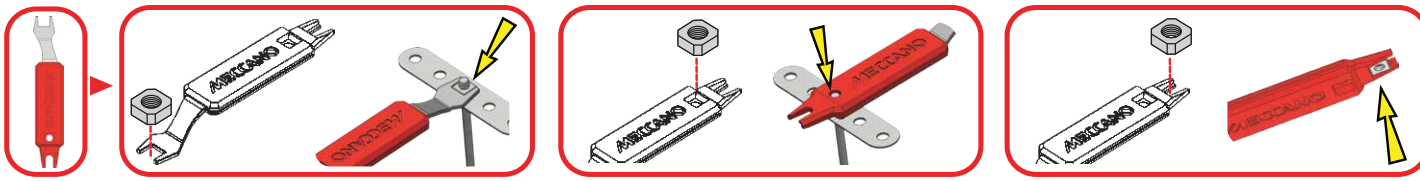
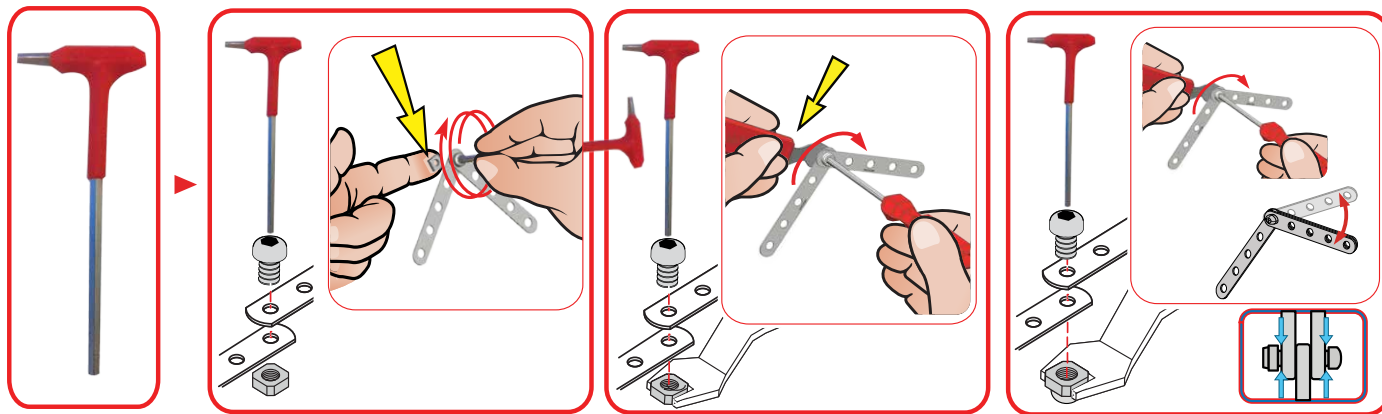


TABLE OF CONTENTS / SOMMAIRE

ÍNDICE / INHALTSVERZEICHNIS / INHOUD / INDICE / СОДЕРЖАНИЕ

SPIS TREŚCI / OBSAH / TARTALOMJEGYZÉK / CUPRINS

AVAILABLE ONLINE / DISPONIBLES EN LIGNE

DISPONIBLES EN LÍNEA / ONLINE VERFÜGBAR / ONLINE VERKRIJGBAAR / DISPONIBILI ONLINE

DISPONÍVEL ONLINE / ДОСТУПНЫ ОНЛАЙН / DOSTĘPNE W INTERNECIE

K DISPOZICI ONLINE / DOSTUPNÝ ONLINE / ONLINE ELÉRHETŐ / DISPONIBILE ONLINE



5



13



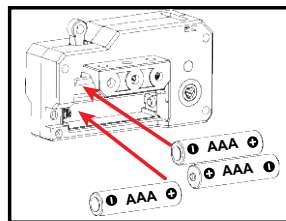
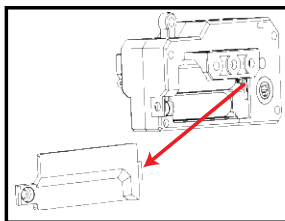
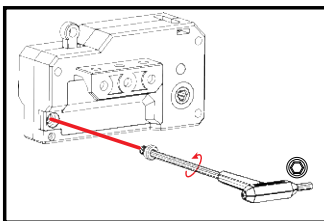
22



EN. Content: 159 parts, 2 real tools, 1 Meccablock™ motor and 1 instruction sheet for 3 models.
 FR. Contenu : 159 pièces, 2 vrais outils, 1 moteur Meccablock™ et 1 notice de montage pour 3 modèles.
 ES. Contenido: 159 piezas, 2 herramientas reales, 1 motor Meccablock™ y 1 guía de instrucciones para 3 modelos.
 DE. Inhalt: 159 Teile, 2 echte Werkzeuge, 1 Meccablock™ Motor und 1 Bauanleitung für 3 Modelle.
 NL. Inhoud: 159 onderdelen, 2 stuks gereedschap, 1 Meccablock™-motor en 1 bouw instructie voor 3 modellen.
 IT. Contenuto: 159 pezzi, 2 attrezzi, 1 motore Meccablock™ e 1 guida per l'uso per 3 modelli.
 PT. Conteúdo: 159 peças, 2 ferramentas reais, 1 motor do Meccablock™ e 1 folha de instruções para 3 modelos.
 RU. В комплекте: 159 деталей, 2 настоящих инструмента, 1 мотор Meccablock™ и 1 инструкция по сборке 3 моделей.
 PL. Zawartość: 159 elementów, 2 prawdziwe narzędzia, 1 silnik Meccablock™ i 1 karta z instrukcjami dla 3 modeli.
 CZ. Obsah: 159 dílů, 2 skutečné nástroje, 1 motorek Meccablock™ a 1 list s pokyny pro 3 modely.
 SK. Obsah: 159 dielov, 2 skutočné nástroje, 1 motor Meccablock™ a 1 hárok s pokynmi pre 3 modely.
 HU. Tartalom: 159 db alkatrész, 2 db valódi szerszám, 1 db Meccablock™ motor és 1 db 3 modelhez tartozó felhasználói útmutató.
 RO. Conținut: 159 de piese, 2 instrumente reale, 1 motor Meccablock™ și 1 fișă cu instrucțiuni pentru 3 modele.

EN. Building instructions for the 7 other models are available at www.meccano.com.
 FR. Les notices de montage des 7 autres modèles sont disponibles sur www.meccano.com.
 ES. Hay instrucciones de construcción disponibles para los otros 7 modelos en www.meccano.com.
 DE. Bauanleitungen für die anderen 7 Modelle sind auf www.meccano.com zu finden.
 NL. Bouwinstructies voor de andere 7 modellen zijn beschikbaar op www.meccano.com.
 IT. Le istruzioni di montaggio degli altri 7 modelli sono disponibili alla pagina www.meccano.com.
 PT. Instruções de montagem dos restantes 7 modelos disponíveis em www.meccano.com.
 RU. Инструкции по сборке 7 других моделей можно найти на сайте www.meccano.com.
 PL. Instrukcje montażu pozostałych 7 modeli można znaleźć na stronie www.meccano.com.
 CZ. Sestavovací pokyny dalších 7 modelů naleznete na webu www.meccano.com.
 SK. Pokyny na stavanie ďalších 7 modelov sú dostupné na webovej lokalite www.meccano.com.
 HU. A www.meccano.com weboldalon további 7 modelhez tartozó összeszerelési útmutatót talál.
 RO. Instrucțiunile de construire pentru celelalte 7 modele sunt disponibile la adresa www.meccano.com.

EN. Only one model can be built at a time. FR. Les pièces fournies ne permettent de monter qu'un seul modèle à la fois. ES. Solo es posible construir un modelo a la vez. DE. Jeweils nur eins der Modelle baubar.
 NL. Er kan maar een model tegelijk worden gebouwd. IT. Permette di realizzare un solo modello per volta. PT. Só é possível montar um modelo de cada vez. RU. Одновременно можно построить только одну модель.
 PL. Jednocześnie można zbudować tylko jeden model. CZ. Najednou lze sestavit pouze jeden model. SK. Modely sa dajú vytvoriť len po jednom. HU. Egyszerre csak egy modellt rakható össze. RO. Nu pot fi construite mai multe modele în același timp.



EN HOW TO INSTALL BATTERIES:

1. Open the battery door with a Meccano wrench.
2. If used batteries are present, remove these batteries from the unit by pulling up on one end of each battery. DO NOT remove or install batteries using sharp or metal tools.
3. Install new batteries as shown in the polarity diagram (+/-) inside the battery compartment.
4. Replace battery door securely.
5. Check your local laws and regulations for correct recycling and/or battery disposal.

FR INSTALLATION DES PILES :

1. À l'aide d'une clé Allen Meccano, ouvrir le couvercle du compartiment des piles.
2. Si des piles usagées sont présentes, les extraire en tirant sur l'une des extrémités. NE PAS utiliser d'objet coupant ou métallique pour extraire ou installer les piles.
3. Installer des piles neuves comme indiqué sur le schéma de polarité (+/-) du compartiment des piles.
4. Bien refermer le compartiment des piles.
5. Consulter la législation locale concernant le recyclage et/ou l'élimination des piles.

ES INSTALACIÓN DE LAS PILAS:

1. Abra el compartimento de las pilas con la llave Meccano.
2. Si las pilas están gastadas, tire hacia arriba de uno de sus extremos para extraerlas. NO utilice herramientas metálicas o puntagudas para instalar o extraer las pilas.
3. Coloque las pilas nuevas en el compartimento correspondiente, tal y como se indica en el diagrama de polaridad (+ / -).
4. Cierre bien la tapa del compartimento de las pilas.
5. Consulte la normativa local relativa al reciclaje y a la eliminación de las pilas.

DE EINLEGEN DER BATTERIEN:

1. Batteriefachabdeckung mit einem Meccano Werkzeug öffnen.
2. Wenn sich gebrauchte Batterien darin befinden, diese einzeln herausziehen. Batterien NICHT mit scharfen oder metallenen Gegenständen entfernen oder einlegen.
3. Neue Batterien unter Beachtung des Polaritätsdiagramms (+/-) in das Batteriefach einlegen.
4. Batteriefachabdeckung wieder anbringen.
5. Örtliche Gesetze und Bestimmungen für das Recycling bzw. die Entsorgung von Altbatterien beachten.

NO DE BATTERIEN PLAATSEN:

1. Open het batterijdeksel met een Meccano-moersleutel.
2. Verwijder eventueel gebruikte aanwezel batterijen uit de unit door één kant van elke batterij omhoog te trekken. Verwijder of plaats batterijen NIET met behulp van scherpe of metalen voorwerpen.
3. Plaats de nieuwe batterijen zoals weergegeven op het polariteitsdiagram (+/-) aan de binnenkant van het batterijkvak.
4. Sluit het vak af met het batterijdeksel.
5. Lees de plaatselijke voorschriften en regelgeving om de batterijen op de juiste wijze te recyclen of af te voeren.

IT COME INSTALLARE LE PILE:

1. Aprire lo scomparto pile con una chiave Meccano.
2. Se sono presenti pile usate, rimuoverle dall'unità sollevandole da un'estremità. NON usare oggetti metallici o appuntiti per rimuovere o installare le pile.
3. Inserire le pile nuove con le polarità (+/-) direzionate come indicato.
4. Richiudere correttamente lo scomparto pile.
5. Eliminare e/o riciclare le pile secondo quanto previsto dalle normative locali vigenti.

PT COMO COLOCAR AS PILHAS:

1. Abra a tampa do compartimento das pilhas com uma chave Meccano.
2. Se houver pilhas usadas, retire-as da unidade individualmente, puxando pela extremidade de cada uma. NÃO retire ou coloque pilhas com qualquer acessório pontiagudo ou metálico.
3. Instale pilhas novas seguindo o diagrama de polaridade (+/-) dentro do compartimento das pilhas.

4. Coloque de novo a porta do compartimento com cuidado.

5. Consulte as leis, as normas e os regulamentos locais de reciclagem e/ou descarte de pilhas e baterias.

RU УСТАНОВКА ЭЛЕМЕНТОВ ПИТАНИЯ:

1. Откройте крышку отсека элементов питания с помощью ключа Meccano.
2. Извлеките старые или истощенные элементы питания из отсека (при их наличии), подняв каждый элемент питания за край. ЗАПРЕЩАЕТСЯ извлекать или устанавливать элементы питания с помощью острых или металлических предметов.
3. Установите новые элементы питания внутри отсека, соблюдая полярность (+/-).
4. Надежно закройте крышку отсека.
5. Ознакомьтесь с законами и нормативами вашей страны, установленными в отношении правил переработки и/или утилизации элементов питания.

PL WKŁADANIE BATERII:

1. Otwórz drzwiczki komory baterii za pomocą narzędzia Meccano.
2. Jeśli w komorze znajdują się zużyte baterie, wyjmij je, podważając każdą za jeden z końców. Do wyjmowania i wkładania baterii NIE wolno stosować ostrych narzędzi.
3. Umieść nowe baterie w komorze zgodnie z oznaczeniami biegunowości (+/-).
4. Starannie zamknij drzwiczki komory baterii.
5. Zapoznaj się z lokalnymi przepisami i zaleceniami prawnymi dotyczącymi prawidłowego recyklingu i/lub utylizacji baterii.

CZ VLOŽENÍ BATERIÍ:

1. Pomocí klíče Meccano otevřete dvířka baterií.
2. Jestliže se zde nacházejí použité baterie, vyndejte je z jednotky postupným vyťahováním za jejich konec. NEVYNDÁVEJTE ANI NEVKLÁDEJTE baterie pomocí ostrých nebo kovových nástrojů.
3. Nové baterie vkládejte podle schématu polarity (+/-) uvnitř oddílu pro baterie.
4. Pevně nasadte dvířka baterií zpět na místo.
5. Seznamte se s místními zákony a předpisy ohledně správné recyklace či likvidace baterií.

SK INŠTALÁCIA BATÉRIÍ:

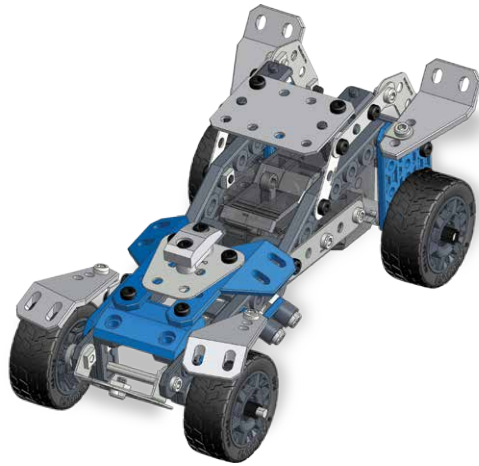
1. Dvierka batérií otvorte kľúčom Meccano.
2. Ak sú prítomné použité batérie, odstráňte ich z jednotky tak, že každú batériu vytiahnete za jeden koniec. NEODSTRÁŇUJTE ani nevkladajte batérie pomocou ostrého alebo kovového predmetu.
3. Vložte nové batérie do priestoru pre batérie, ako je zobrazené na diagrame polarít (+/-).
4. Pevne znova nasadte dvierka batérií.
5. Pozrite si miestne predpisy a nariadenia o správnej recyklácii alebo likvidácii batérií.

HU AZ ELEM EK BEHELYEZÉSÉNEK MÓDJA:





1. Nyissa ki az elem tartó fedelét egy Meccano csavarulkással.
2. Ha használt elemek vannak benne, távolítsa el ezeket az elemeket a készülékből úgy, hogy az elemeket egyik végüknél felfelé emeli. Az elemek eltávolításához vagy behelyezéséhez NE használjon éles vagy fémeszközöket.
3. Helyezze az új elemeket az elemtartóba a polaritási ábrának (+/-) megfelelően.
4. Helyezze vissza biztonságosan az elem tartó fedelét.
5. Ellenőrizze az elemek újrahasonosítására és/vagy ártalmatlanítására vonatkozó helyi törvényeket és rendelkezéseket.

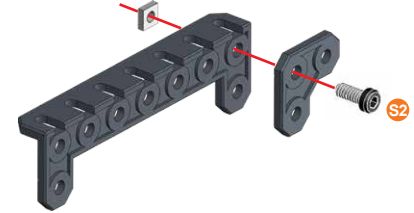
RO INSTALAREA BATERIILOR:

1. Deschideți usa compartimentului bateriilor cu o cheie Meccano.
2. Dacă sunt prezente baterii uzate, scoateți-le pe acestea din unitate trăgând în sus de capătul fiecărei baterii. NU demontați sau instalați bateriile cu ajutorul unor instrumente ascuțite sau metalice.
3. Instalați bateriile noi după cum indică marcăjele de polaritate (+/-) din interiorul compartimentului bateriilor.
4. Închideți bine usa compartimentului bateriilor.
5. Consultați legile și reglementările locale pentru reciclarea și/sau eliminarea corectă a bateriilor.



1









-  9.5 mm | $\frac{3}{8}$ " | x1
-  x1
-  x1
-  x1

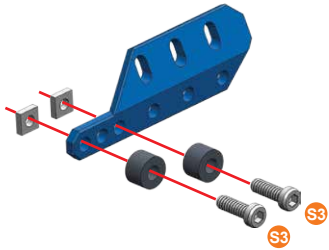


-  1:1










2



-  12 mm | $\frac{1}{2}$ " | x2
 -  x2
 -  x2
 -  x1
-   1:1
 -   A238

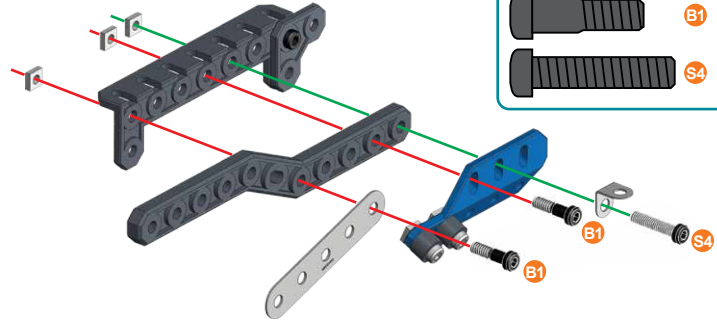


3



①+②+

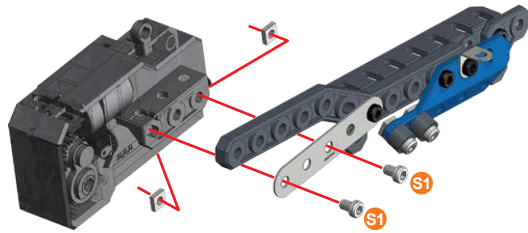
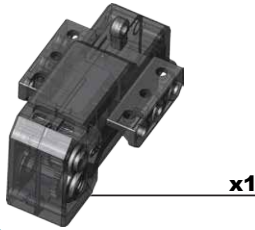
-  14.7 mm | $\frac{37}{64}$ " | x2
-  19 mm | $\frac{3}{4}$ " | x1
-  x1
-  x1
-  x1
-  x3
-  x1

-   1:1







4

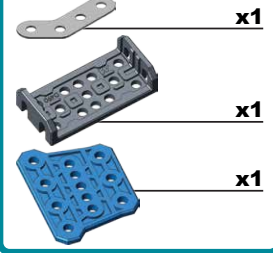
-  | 5,8 mm | **x2**
15/64"
-  | **x2**



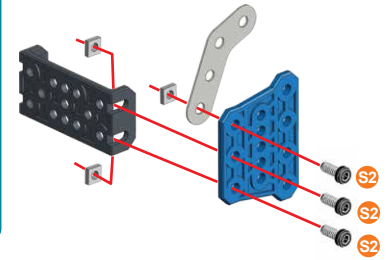
-  | **1:1**

5

-  | 9,5 mm | **x3**
3/8"
-  | **x3**
-  | **x1**
-  | **x1**
-  | **x1**






-  | **1:1**

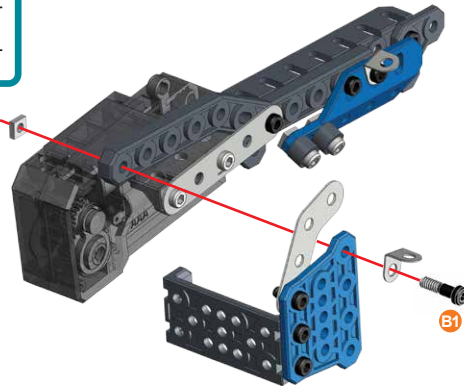


6





(4)+(5)+

-  | 14,7 mm | **x1**
37/64"
-  | **x1**
-  | **x1**

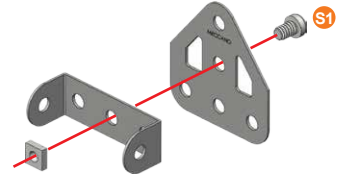
-  | **1:1**





7

-  | 5,8 mm | **x1**
15/64"
-  | **x1**
-  | **x1**
-  | **x1**

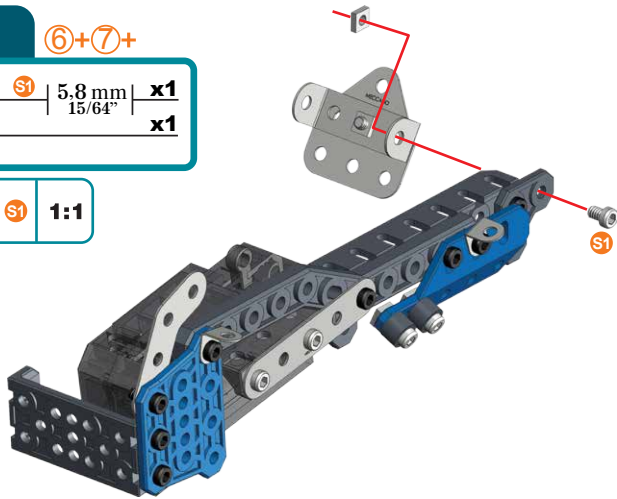
-  | **1:1**







8 ⑥+⑦+

	S1	5,8 mm 15/64"	x1
			x1

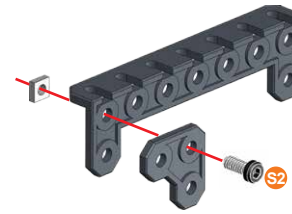
	S1	1:1
---	----	-----







9




	S2	9,5 mm 3/8"	x1
			x1
			x1
			x1

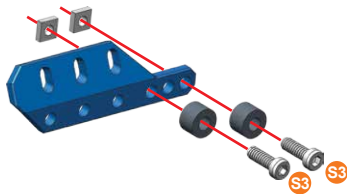
	S2	1:1
--	----	-----








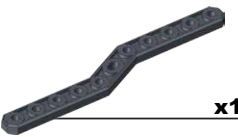
10

	S3	12 mm 1/2"	x2
			x2
			x2
			x1

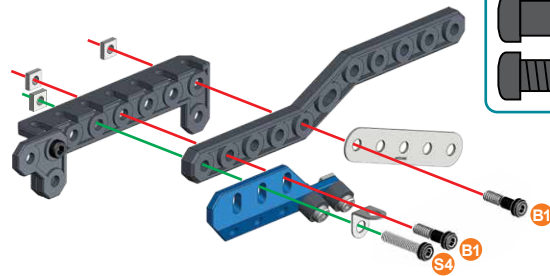
	S3	1:1
	A238	
		



11 ⑨+⑩+

	B1	14,7 mm 37/64"	x2
	S4	19 mm 3/4"	x1
			x1
			x1
			x3
			x1

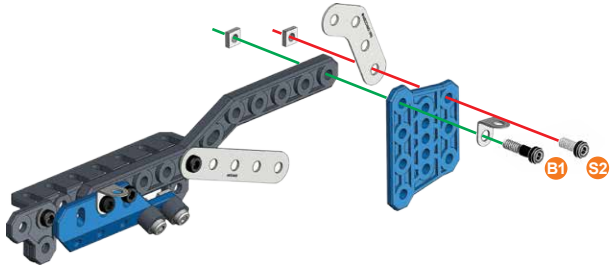
	B1	1:1
	S4	



12

	9,5 mm 3/8"	x1
	14,7 mm 37/64"	x1
		x2
		x1
		x1
		x1

		1:1



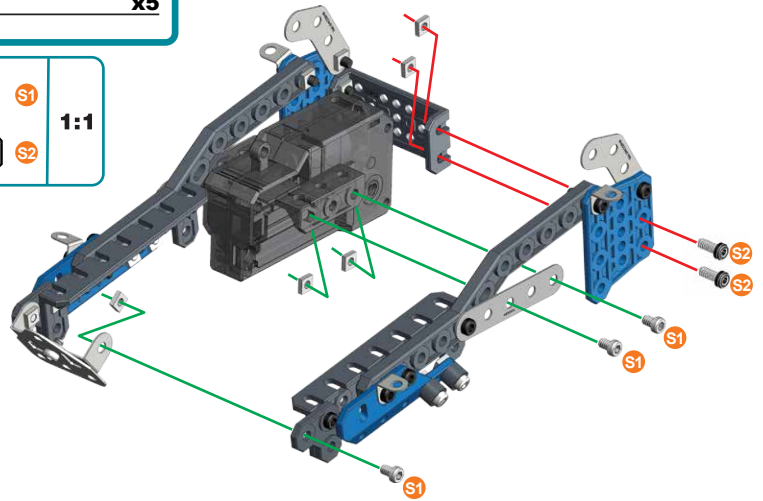
13

⑧+⑫+

	5,8 mm 15/64"	x3
	9,5 mm 3/8"	x2
		x5



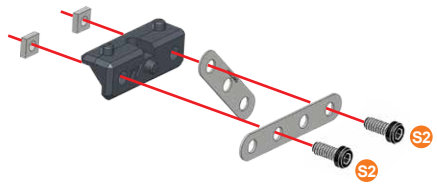
		1:1



14

	9,5 mm 3/8"	x2
		x2
		x1
		x1
		x1

	1:1
--	-----

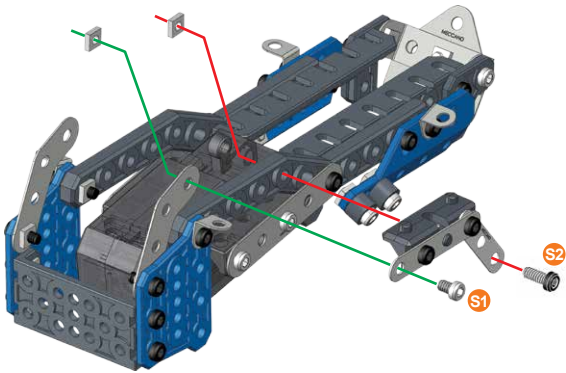


15

	S1	5.8 mm 15/64"	x1
	S2	9.5 mm 3/8"	x1
			x2



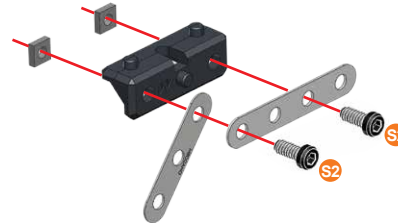
	S1	1:1
	S2	



16

	S2	9.5 mm 3/8"	x2
			x2
			x1
			x1
			x1

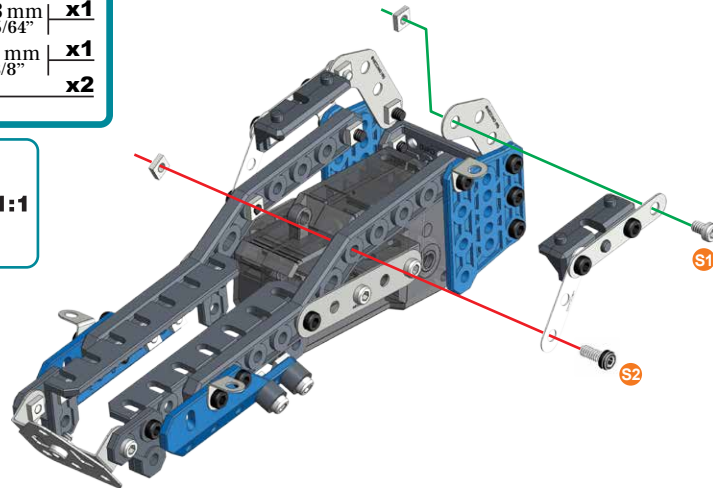
	S2	1:1
--	----	-----






17

	S1	5.8 mm 15/64"	x1
	S2	9.5 mm 3/8"	x1
			x2

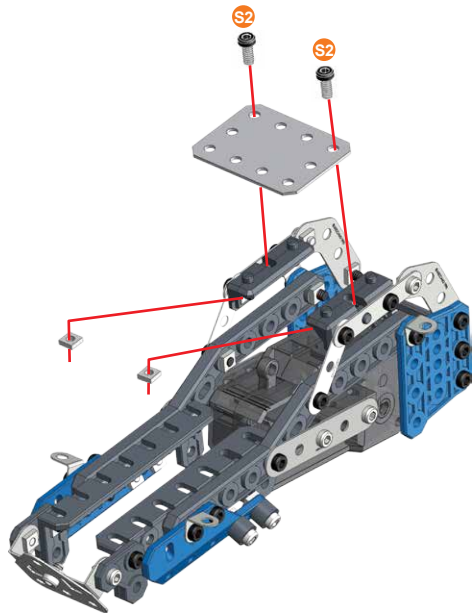
	S1	1:1
	S2	








18

	9,5 mm 3/8"	x2
		x2
		x1

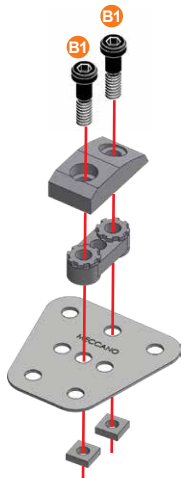
	1:1
---	------------



19








	14,7 mm 37/64"	x2
		x2
		x1
		x1
		x1

	1:1
---	------------

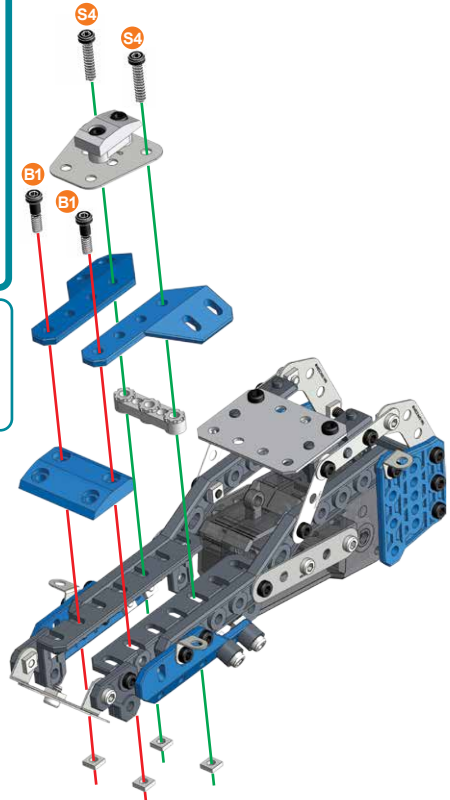


20

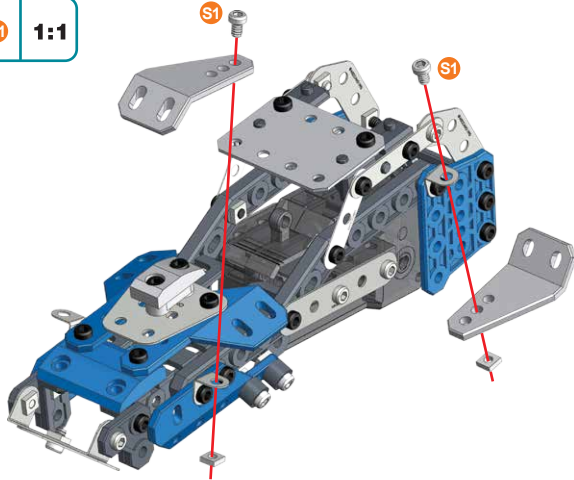
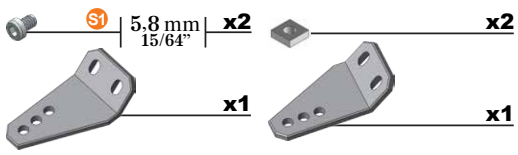
(18)+(19)+

	14,7 mm 37/64"	x2
	19 mm 3/4"	x2
		x4
		x1
		x1
		x1
		x1

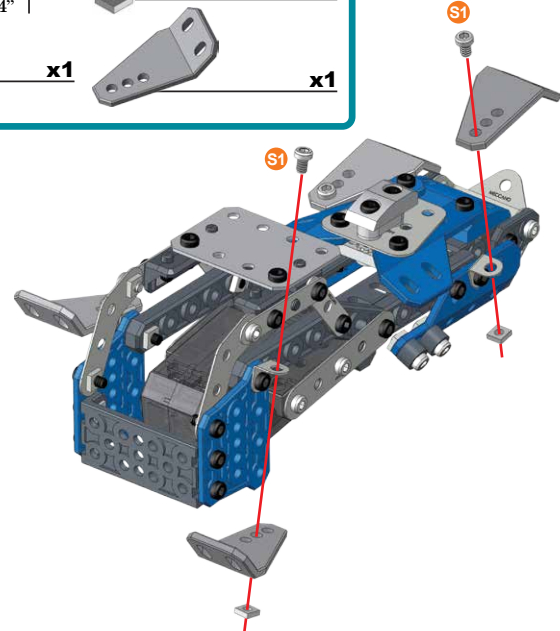
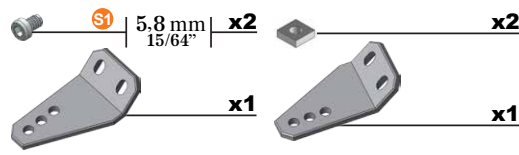
	B1	1:1
	S4	



21



22

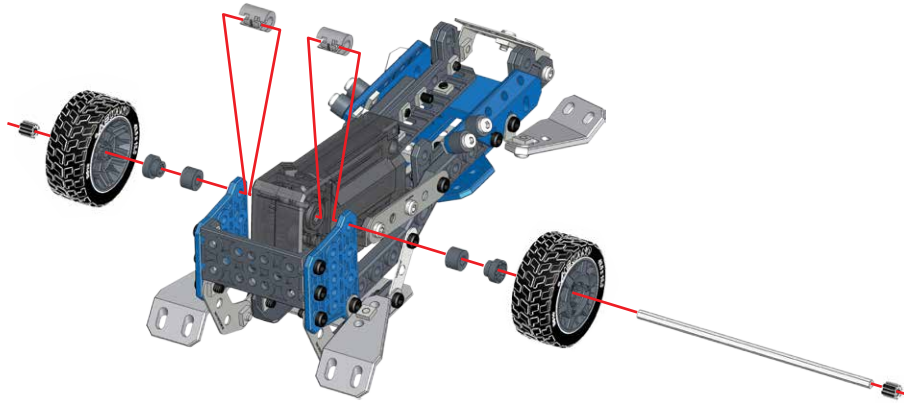


23



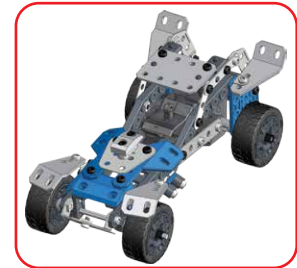
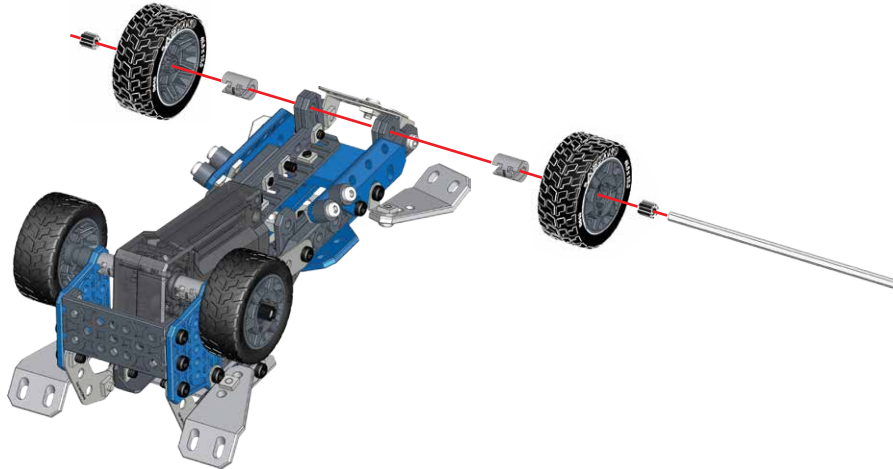
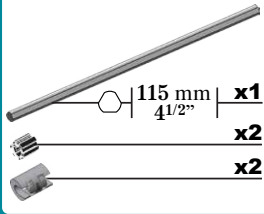
24

22+23+



25

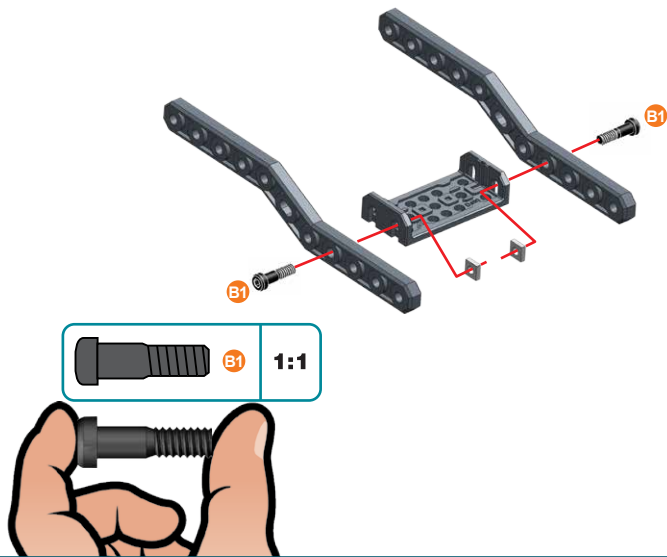
23+24+





1

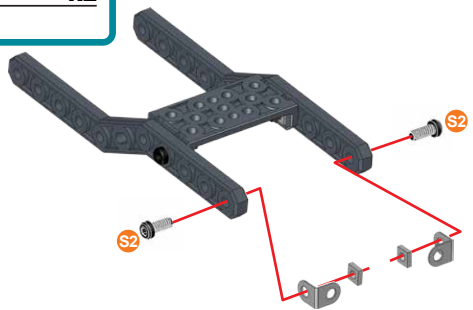
	14.7 mm 37/64"	x2
		x2
		x2
		x1



2

	9.5 mm 3/8"	x2
		x2
		x2

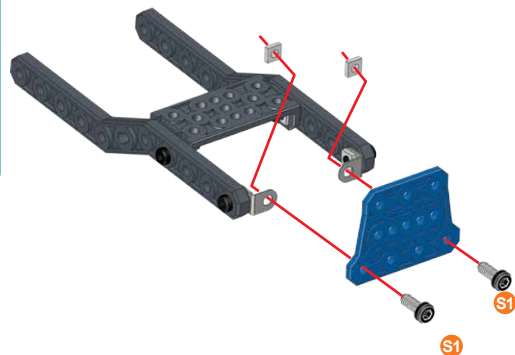
	1:1
--	-----






3

	9.5 mm 3/8"	x2
		x2
		x1

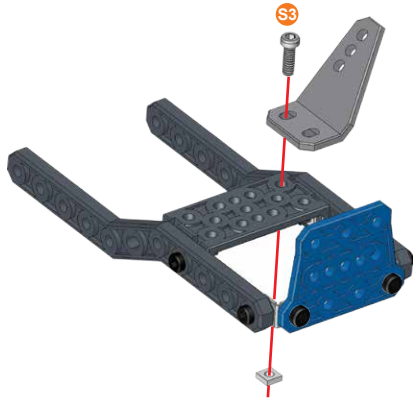
	1:1
--	-----






4

-  **S3** | 12 mm | **x1**
1/2"
-  **x1**
-  **x1**

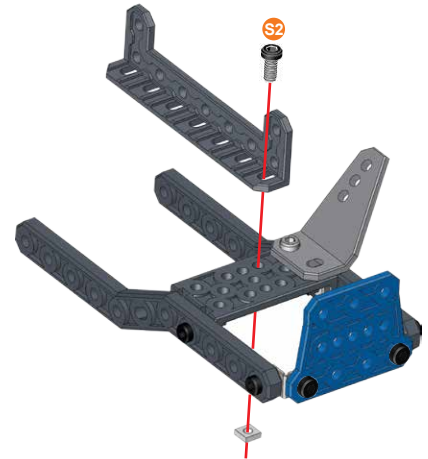
-  **S3** | **1:1**






5

-  **S2** | 9.5 mm | **x1**
3/8"
-  **x1**
-  **x1**

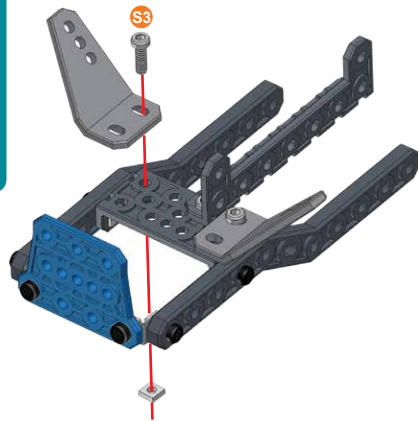
-  **S2** | **1:1**






6

-  **S3** | 12 mm | **x1**
1/2"
-  **x1**
-  **x1**

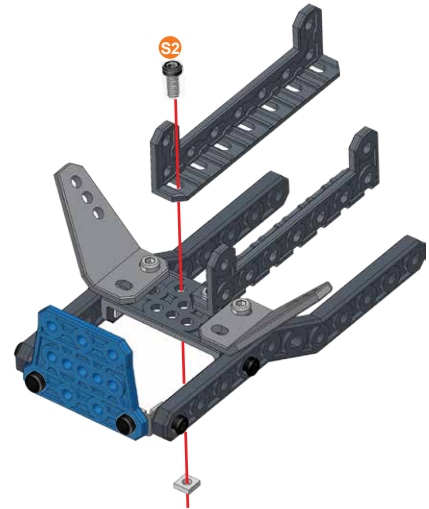
-  **S3** | **1:1**







7

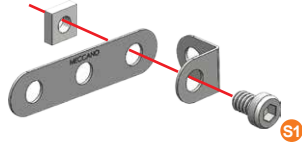
-  **S2** | 9.5 mm | **x1**
3/8"
-  **x1**
-  **x1**

-  **S2** | **1:1**







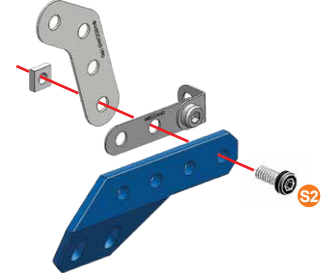
8

	S1 5,8 mm x1 15/64"
	x1
	x1
	x1







9

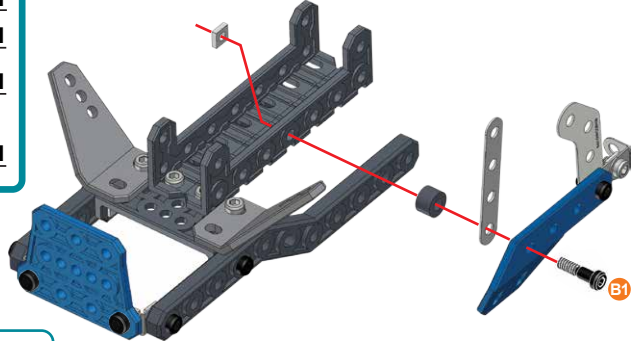
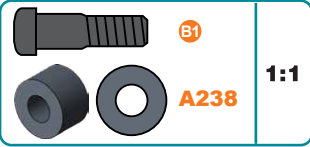
	S2 9,5 mm x1 3/8"
	x1
	x1
	x1







10

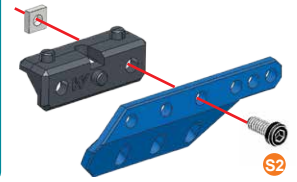
⑦+⑨+

	B1 14,7 mm x1 37/64"
	x1
	x1
	x1







11

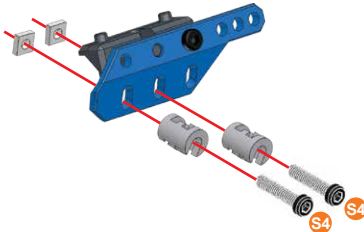
	S2 9,5 mm x1 3/8"
	x1
	x1
	x1



12



	19 mm 3/4"	x2
		x2
		x2


	S4	1:1
---	----	-----

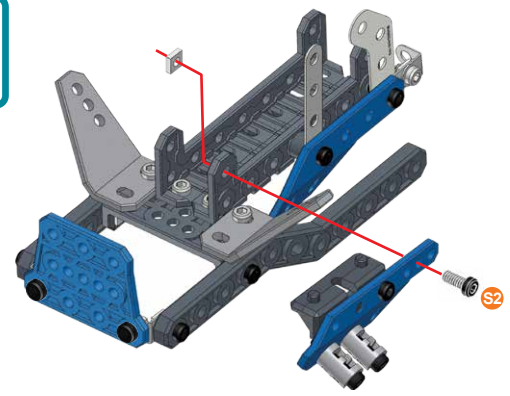


13





10+12+


	9,5 mm 3/8"	x1
		x1

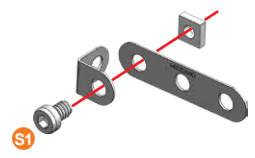
	S2	1:1
---	----	-----





14


	5,8 mm 15/64"	x1
		x1
		x1
		x1

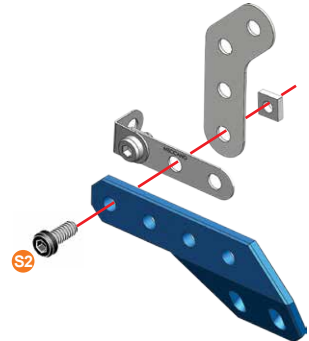
	S1	1:1
--	----	-----



15

	9,5 mm 3/8"	x1
		x1
		x1

	S2	1:1
--	----	-----

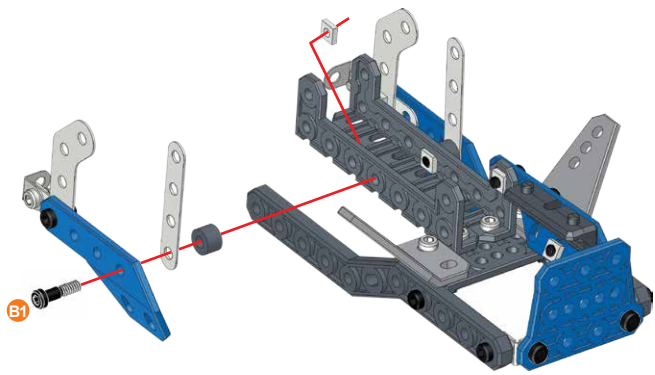


16

⑬+⑮+

	14.7 mm 37/64"	x1
		x1
		x1
		x1

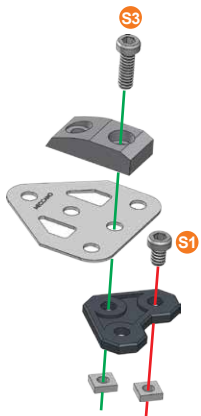
	B1	1:1
	A238	



17

	5.8 mm 15/64"	x1
	12 mm 1/2"	x1
		x2
		x1
		x1
		x1

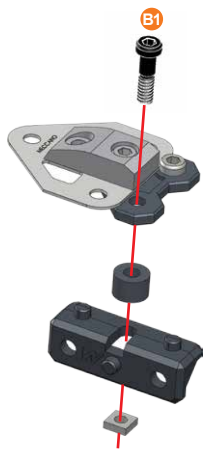
	S3	1:1
	S1	



18

	14.7 mm 37/64"	x1
		x1
		x1
		x1

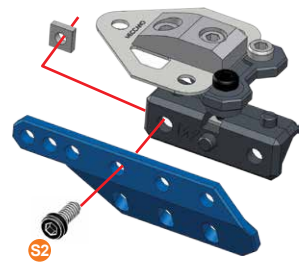
	B1	1:1
	A238	






19


	9.5 mm 3/8"	x1
		x1

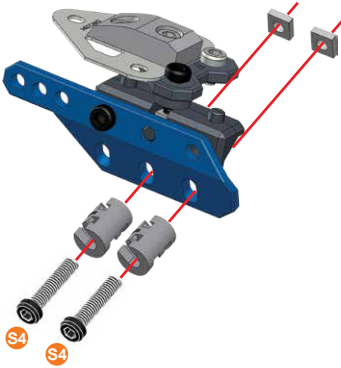
	S2	1:1
--	----	-----





20

	19 mm 3/4"	x2
		x2
		x2

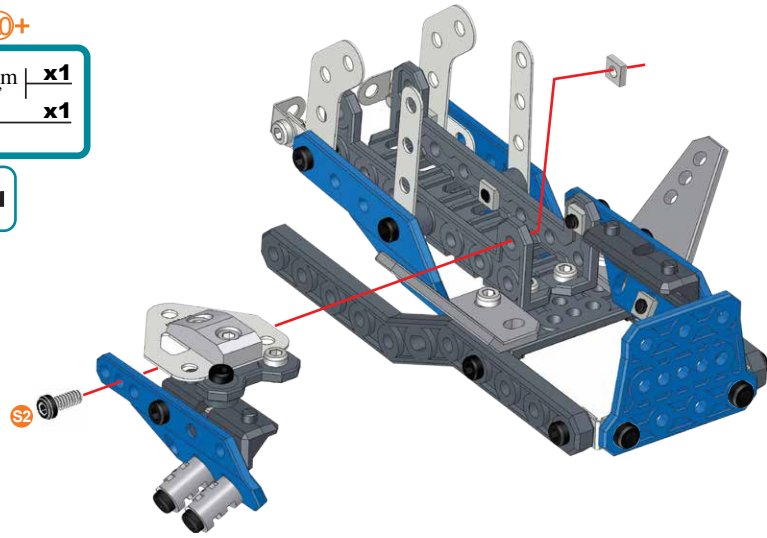
	1:1
---	------------







21 (16)+(20)+

	9.5 mm 3/8"	x1
		x1

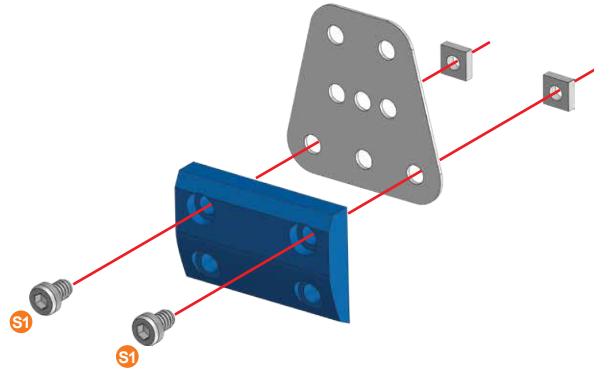
	1:1
---	------------





22

	5.8 mm 15/64"	x2
		x2
		x1
		x1

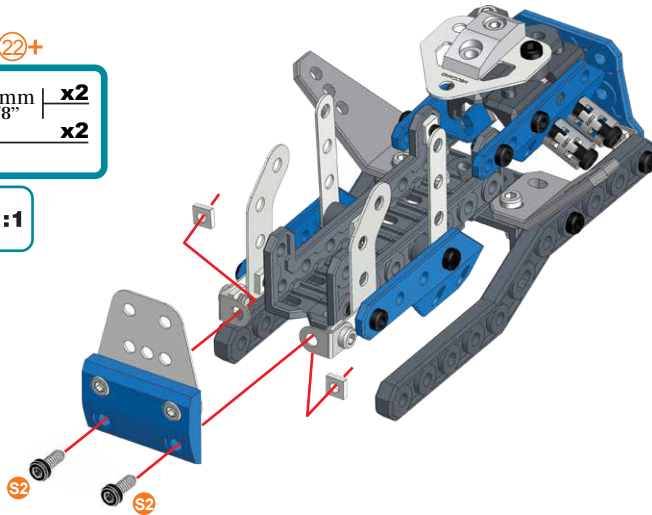
	1:1
---	------------






23 (21)+(22)+

	9.5 mm 3/8"	x2
		x2

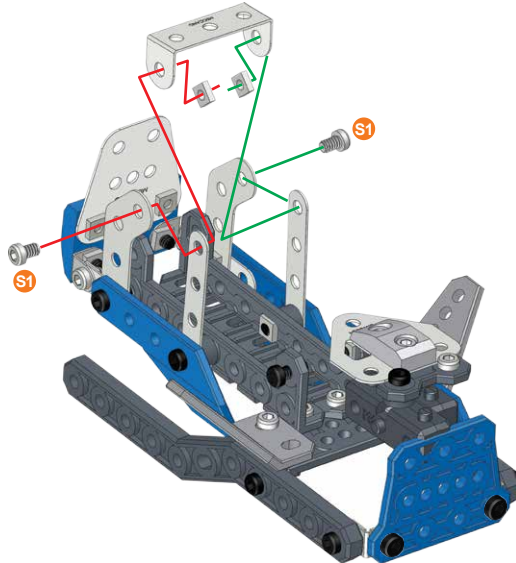
	1:1
---	-----






24

	5.8 mm 15/64"	x2
		x2
		x1

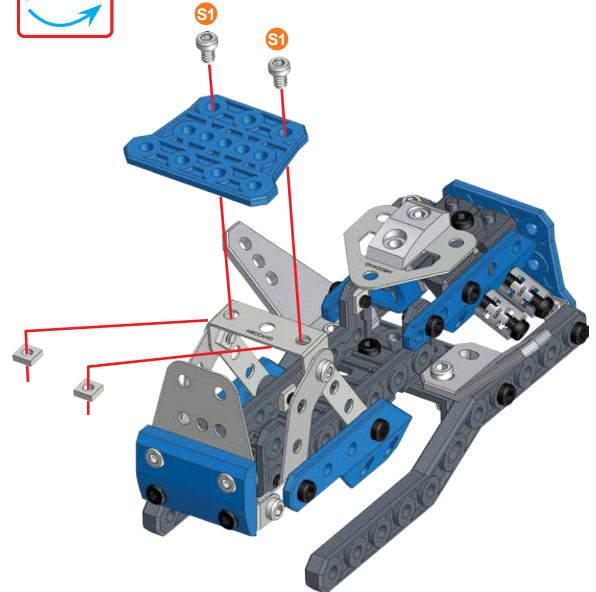
	1:1
--	-----








25

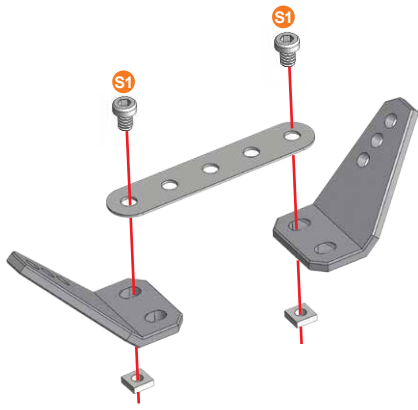
	5.8 mm 15/64"	x2
		x2
		x1

	1:1
---	-----






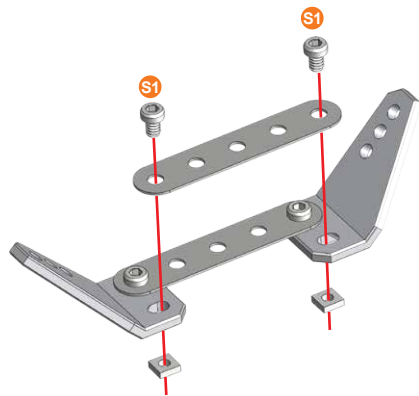
26

-  | 5.8 mm | **x2**
15/64"
-  **x2**
-  **x1**
-  **x1**
-  **x1**






27

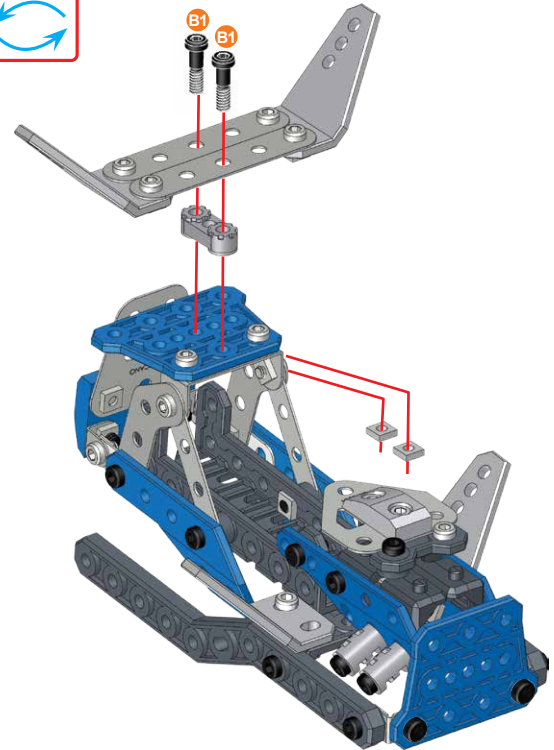
-  | 5.8 mm | **x2**
15/64"
-  **x2**
-  **x1**



28

(25)+(27)+

-  | 14.7 mm | **x2**
37/64"
-  **x2**
-  **x1**

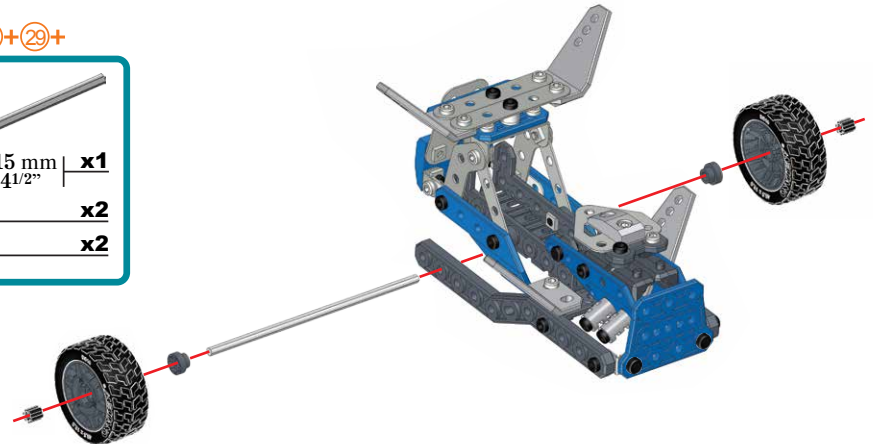
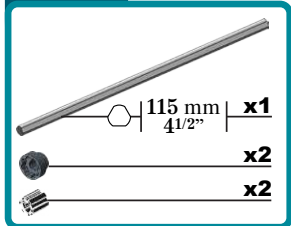


29



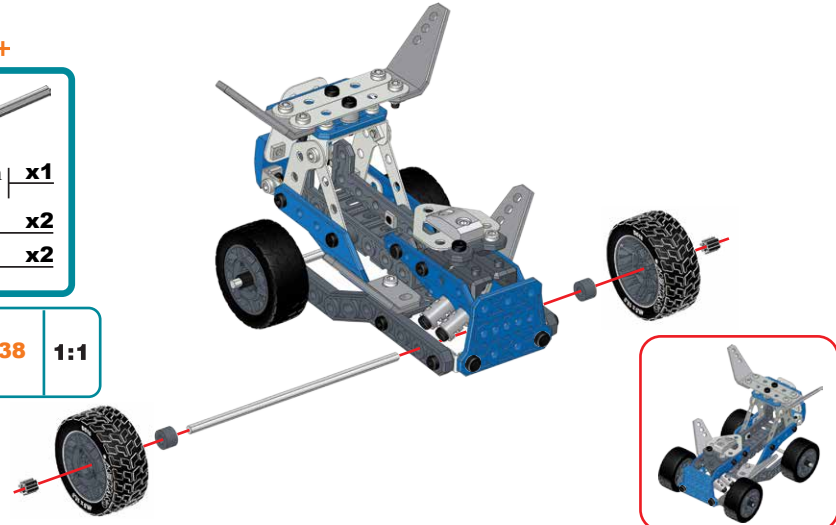
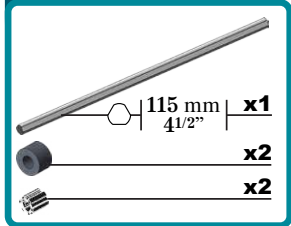
30

28+29+



31

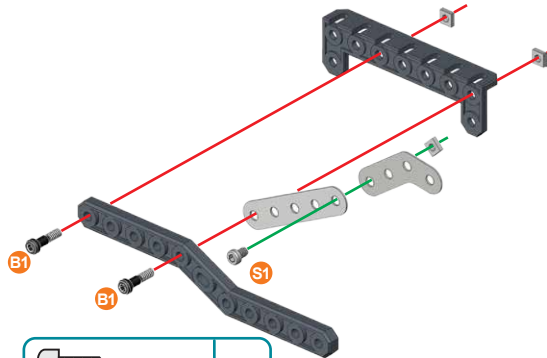
29+30+





1

- | | | |
|--|-------------------|----|
| | 5.8 mm
15/64" | x1 |
| | 14.7 mm
37/64" | x2 |
| | | x3 |
| | | x1 |
| | | x1 |
| | | x1 |
| | | x1 |



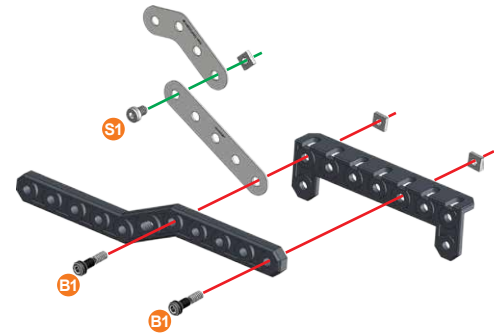
- | | | |
|--|----|-----|
| | S1 | 1:1 |
| | B1 | |



2

- | | | |
|--|-------------------|----|
| | 5.8 mm
15/64" | x1 |
| | 14.7 mm
37/64" | x2 |
| | | x3 |
| | | x1 |
| | | x1 |
| | | x1 |
| | | x1 |

- | | | |
|--|----|-----|
| | S1 | 1:1 |
| | B1 | |




3

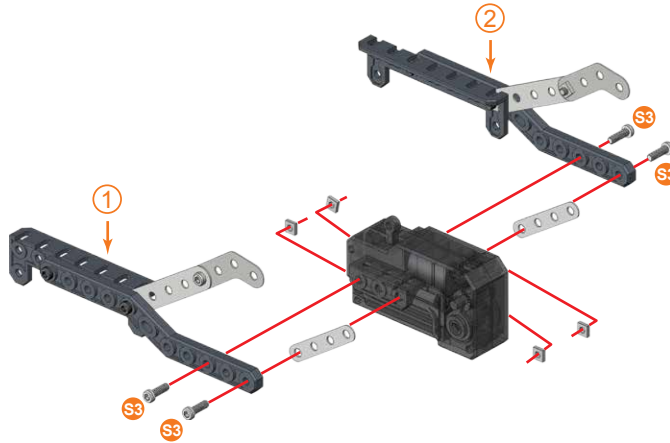
①+②+



	S3	12 mm	x4
		1/2"	x4

			x2
---	--	--	----

			x1
---	--	--	----

	S3		1:1
---	----	--	-----

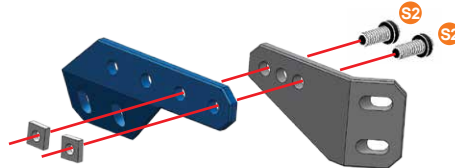
**4**



	S2	9.5 mm	x2
		3/8"	x2


			x1
---	--	--	----


			x1
--	--	--	----

	S2		1:1
---	----	--	-----

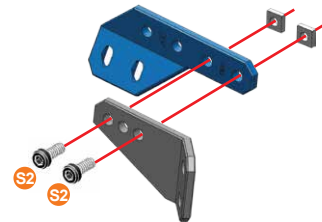
**5**

	S2	9.5 mm	x2
		3/8"	x2

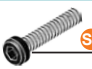


			x1
---	--	--	----



			x1
---	--	--	----

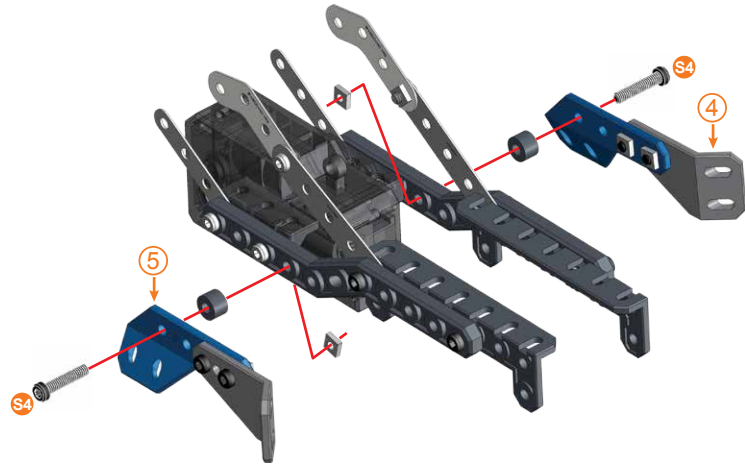
	S2		1:1
---	----	--	-----



6 (4)+(5)+

	19 mm 3/4"	x2
		x2
		x2

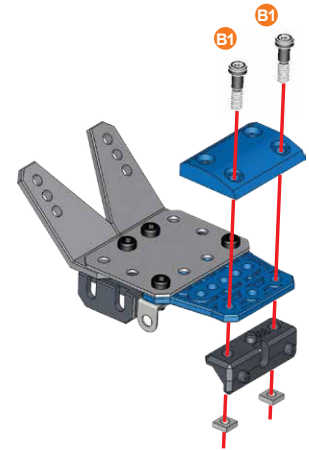
	A238	1:1
		







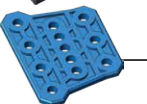



8

	14.7 mm 37/64"	x2
		x2
		x1
		x1

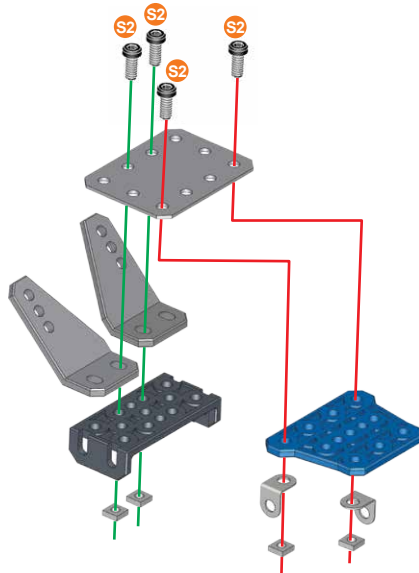
	B1	1:1
---	-----------	-----







7



	9.5 mm 3/8"	x4
		x4
		x2
		x1
		x1
		x1
		x1
		x1

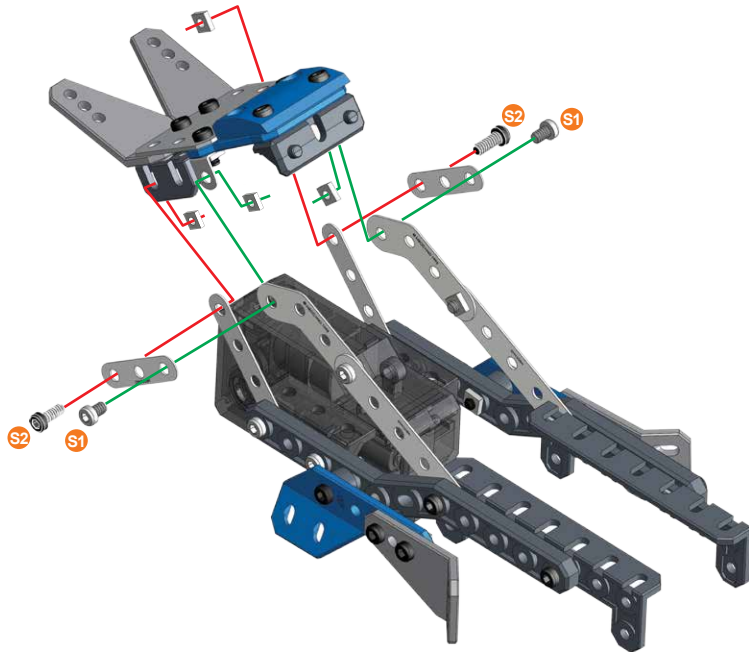
	S2	1:1
---	-----------	-----





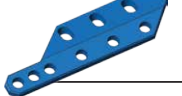


9**⑥+⑧+**

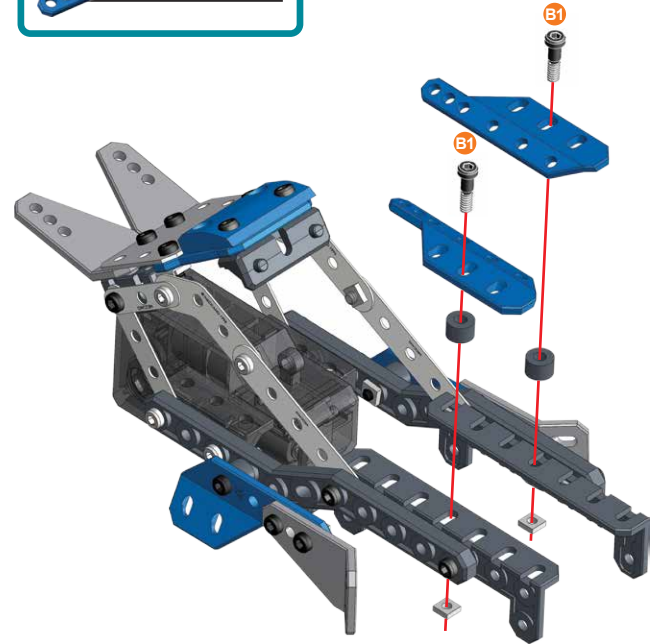
	S1	5.8 mm 15/64"	x2
	S2	9.5 mm 3/8"	x2
			x4
			x2

	S1	1:1
	S2	

**10**

	B1	14.7 mm 37/64"	x2
			x2
			x2
			x1
			x1

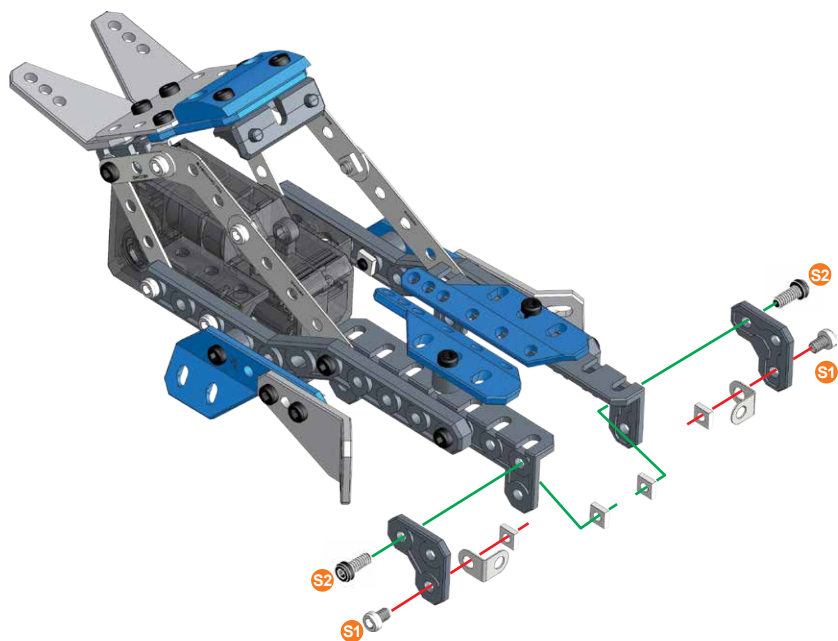
	B1	1:1
	A238	



11

	S1	5.8 mm 15/64"	x2
	S2	9.5 mm 3/8"	x2
			x4
			x2
			x2

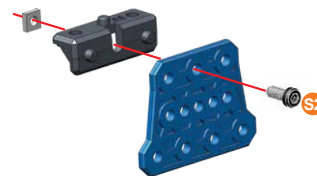
	S1	1:1
	S2	



12

	S2	9.5 mm 3/8"	x1
			x1
			x1
			x1

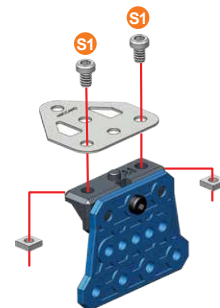
	S2	1:1
--	----	-----



13

	S1	5.8 mm 15/64"	x2
			x2
			x1

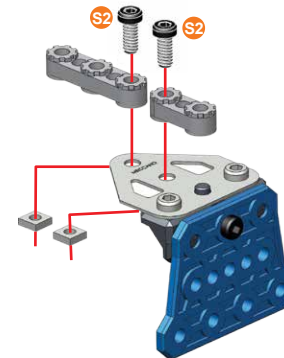
	S1	1:1
--	----	-----



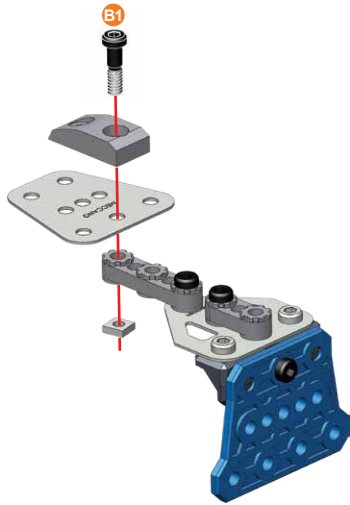
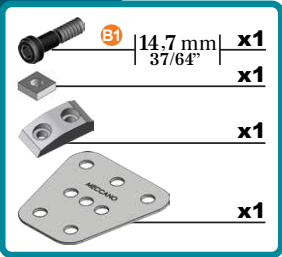
14

	S2	9.5 mm 3/8"	x2
			x2
			x1
			x1

	S2	1:1
--	----	-----

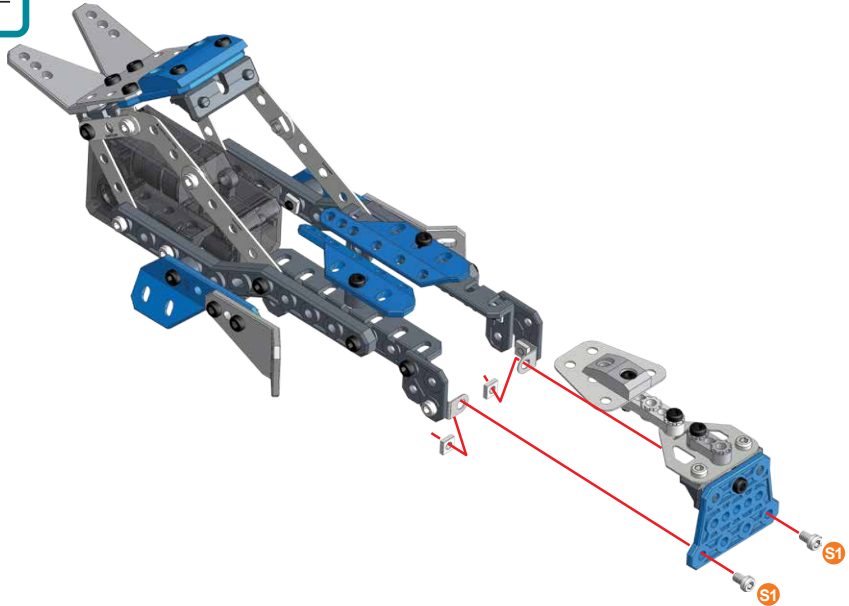
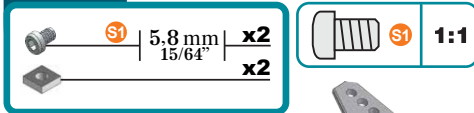


15



16

⑪+⑮+

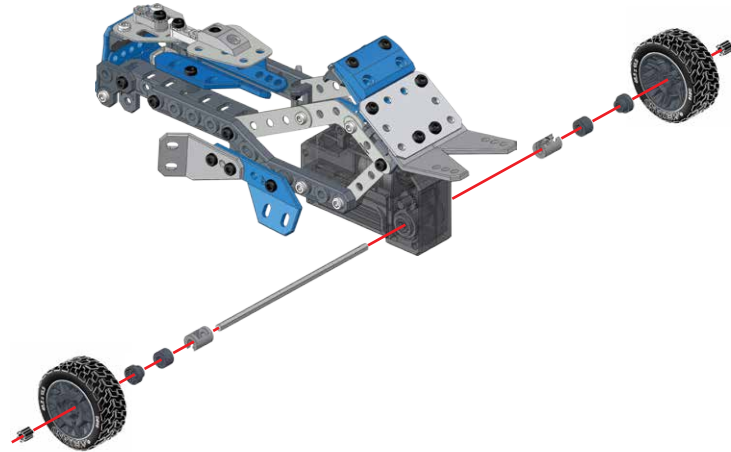
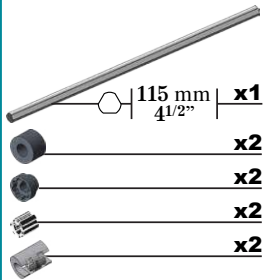


17



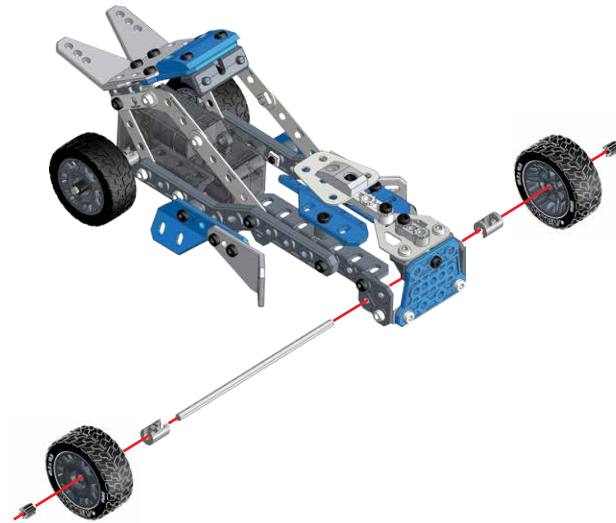
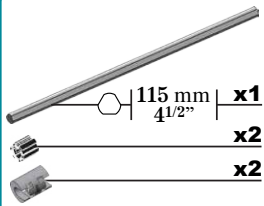
18

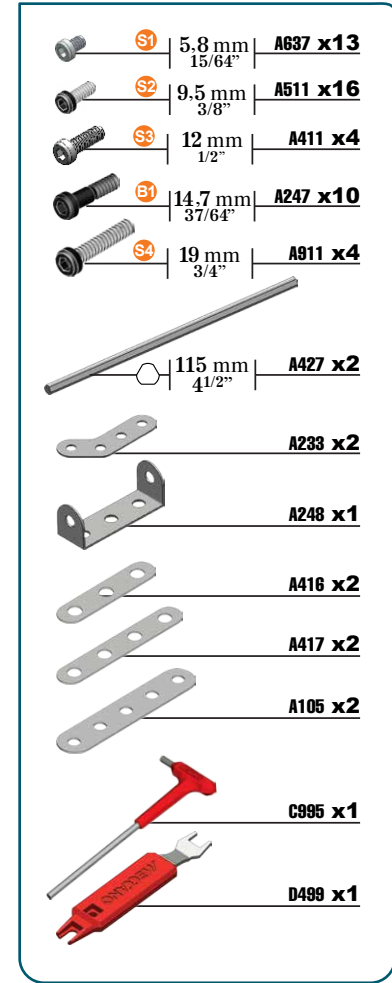
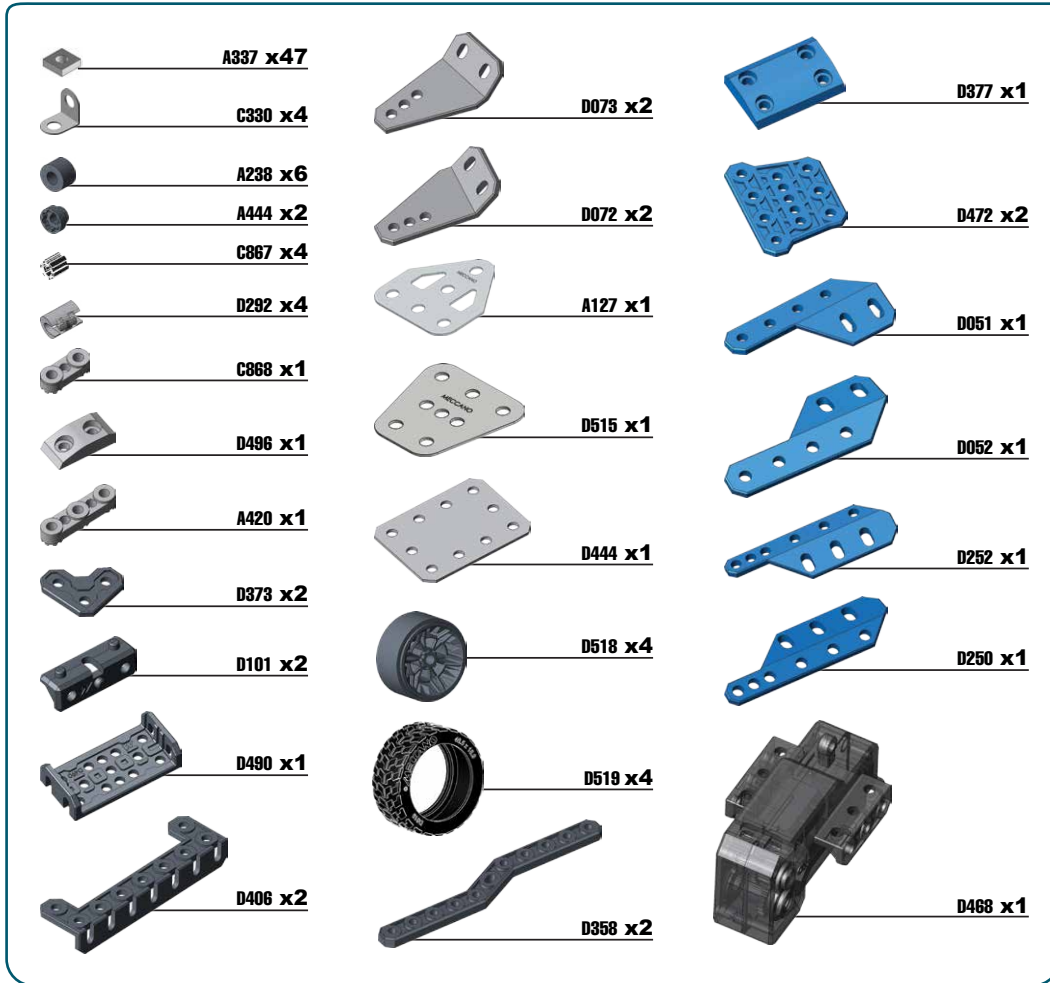
(16)+(17)+



19

(17)+(18)+







(EN) Requires 3 x 1.5V AAA (LR03) batteries (not included). Batteries or battery packs must be recycled or disposed of properly. When this product has reached the end of its useful life it should not be disposed of with other household waste. The Waste Electrical and Electronic Equipment Regulations require it to be separately collected so that it can be treated using the best available recovery and recycling techniques. This will minimize the impact on the environment and human health from soil and water contamination by any hazardous substances, decrease the resources required to make new products and avoid using up landfill space. Please do your part by keeping this product out of the municipal waste stream! The "wheeleir bin" symbol means that it should be collected as "waste electrical and electronic equipment". You can return an old product to your retailer when you buy a similar new one. For other options, please contact your local council.

(FR) Fonctionne avec 3 piles AAA (LR03) 1,5 V (non fournies). Les piles ou les batteries doivent être correctement recyclées ou éliminées. Lorsque ce produit arrive en fin de vie, il ne doit pas être jeté avec le reste des déchets ménagers. Conformément à la directive sur les Déchets des équipements électriques et électroniques (DEEE), il doit être collecté séparément afin d'être éliminé selon les meilleures techniques de récupération et de recyclage disponibles. Cette démarche réduit les risques de pollution du sol et des eaux, et permet ainsi de minimiser l'impact de toute substance nocive sur la santé et sur l'environnement. Cela diminue également la quantité de ressources nécessaires à la fabrication de nouveaux produits, et évite la saturation des sites d'enfouissement. Veuillez apporter votre contribution en ne jetant pas ce produit avec les déchets de votre commune. Le symbole de la « poubelle sur roues » signifie que ce produit doit faire l'objet d'une collecte respectant la directive sur les Déchets des équipements électriques et électroniques (DEEE). Vous pouvez également retourner les produits en fin de vie à votre détaillant lors de l'achat d'un produit similaire neuf. Pour plus d'informations, contactez votre commune.

(ES) Requiere 3 pilas AAA (LR03) de 1,5 V (no incluidas). Las pilas o las baterías deben ser recicladas o desechadas de manera apropiada. Cuando este producto alcance el final de su vida útil, no lo deseches como residuo doméstico. La normativa exige que se recoja de forma separada para que pueda tratarse con las mejores técnicas de recuperación y reciclaje disponibles. De esta forma, se minimizará el impacto que la contaminación del suelo y el agua causada por sustancias peligrosas tiene sobre el medio ambiente y la salud humana, se reducirán los recursos necesarios para fabricar nuevos productos y se evitará la saturación de los vertederos. ¡Colabore desechando este producto de forma adecuada! El símbolo del contenedor con ruedas significa que debería recogerse como residuo de aparatos eléctricos y electrónicos. Puede devolver un producto antiguo en su establecimiento habitual cuando adquiera un producto nuevo similar. Si desea obtener más información, consulte con las autoridades locales.

(DE) Benötigt 3 x 1,5-V-Batterien (AAA/LR03, nicht enthalten). Batterien oder Akkus müssen recycelt oder ordnungsgemäß entsorgt werden. Ist das Gerät nicht mehr zu gebrauchen, darf es nicht über den Hausmüll entsorgt werden. Die Elektroaltgeräteverordnung sieht vor, dass das Gerät separat entsorgt wird, damit es so weit wie möglich recycelt werden kann. Dadurch lässt sich die Menge an umwelt- und gesundheitsschädlichen Substanzen, die über den Boden und das Grundwasser in den menschlichen Nahrungskreislauf gelangen könnten, minimieren sowie die für die Herstellung neuer Produkte erforderlichen Ressourcen reduzieren und Platz auf Mülldeponien sparen. Leisten Sie bitte Ihren Beitrag dazu, indem Sie das Gerät nicht über den Hausmüll entsorgen. Das Mülltonnen-Symbol bedeutet, dass das Gerät gemäß den Vorschriften für Elektro- und Elektronikgeräte entsorgt werden muss. Alte Geräte können oft beim Kauf eines neuen, ähnlichen Geräts im Einzelhandel zurückgegeben werden. Weitere Entsorgungsmöglichkeiten erfragen Sie bitte bei Ihrer Gemeindeverwaltung.

(NL) Vereist 3 AAA (LR03) batterijen van 1,5 V (niet inbegrepen). Batterijen en accu's dienen op de juiste wijze te worden gerecycled of afgevoerd. Wanneer dit product het einde van zijn levensduur heeft bereikt, mag het niet samen met ander huishoudelijk afval worden weggegooid. Volgens de wet moet het product afzonderlijk worden ingezameld zodat het kan worden behandeld met de best beschikbare hergebruik- en recycletechnieken. Op deze manier wordt de invloed op het milieu en de menselijke gezondheid van grond- en watervervuiling door gevaarlijke stoffen geminimaliseerd, hoewel er minder bronnen te worden gebruikt om nieuwe producten te maken en raken stortplaatsen minder snel vol. Draag je steentje bij door er product uit de gemeentelijke afvalstroom te houden. Het afvalcontainersymbool betekent dat het product moet worden ingezameld als elektrische en elektronische afvalapparatuur. Je kunt een oud product inruilen bij de detailhandelaar wanneer je een vergelijkbaar nieuw product koopt. Neem voor andere opties contact op met de gemeente.

(IT) Richiede 3 pile AAA (LR03) da 1,5 V (non incluse). Le pile o le batterie devono essere riciclate o smaltite correttamente. Il simbolo del cassettoni barrato riportato sull'apparecchiatura indica che il prodotto alla fine della propria vita utile deve essere raccolto separatamente dagli altri rifiuti. L'utente dovrà, pertanto, conferire l'apparecchiatura integra dei componenti essenziali giunta a fine vita agli idonei centri di raccolta differenziata dei rifiuti elettronici ed elettrotecnici, oppure riconsegnarla al rivenditore al momento dell'acquisto di nuova apparecchiatura di tipo equivalente, in ragione di uno a uno. L'adeguata raccolta differenziata per l'avvio successivo dell'apparecchiatura dimessa al riciclaggio, al trattamento e allo smaltimento ambientale contribuisce ad evitare possibili effetti negativi sull'ambiente e sulla salute e favorisce il riciclo dei materiali di cui è composta l'apparecchiatura. Lo smaltimento abusivo del prodotto da parte dell'utente comporta l'applicazione delle sanzioni amministrative di cui al D.Lgs. n. 152/2006 (parte 4 art.255).

(PT) Requer 3 pilhas AAA (LR03) de 1,5 V (não incluídas). As pilhas ou baterias deverão ser recicladas ou eliminadas de forma adequada. Quando este produto alcançar o fim da sua vida útil não deverá ser eliminado junto dos resíduos domésticos. Por lei, deverá ser recolhido em separado para posterior tratamento usando as melhores técnicas de recuperação e reciclagem disponíveis. Desta forma, minimiza-se o impacto no ambiente e saúde humana da contaminação do solo e água por substâncias perigosas, diminui-se os recursos necessários para

fabricar novos produtos e evita-se o esgotamento do espaço em aterros sanitários. Colabore mantendo este produto fora da rede de recolha de resíduos urbanos! O símbolo de "caixote de lixo móvel" significa que o produto deverá ser recolhido como "resíduo de equipamento elétrico e eletrónico". Procure um estabelecimento que faça a coleta seletiva de material. Para outras opções, entre em contato com o conselho municipal.

(RU) Для работы требуются 3 элемента питания типа AAA (LR03) с напряжением 1,5 В (не входят в комплект). Элементы питания и комплекты элементов питания необходимо утилизировать надлежащим образом. По окончании срока эксплуатации не выбрасывайте игрушку вместе с бытовыми отходами. Согласно закону об утилизации электрических и электронных устройств ее необходимо утилизировать отдельным способом, с использованием наиболее подходящих технологий утилизации и переработки. Это позволит снизить негативные последствия для окружающей среды и здоровья человека, уменьшит загрязнение воды и почвы опасными веществами, а также снизит количество ресурсов, необходимых для изготовления новых игрушек и сократит объем мусора на городских свалках. Внесите свой вклад, сохранив город чистым. Значок с изображением перечеркнутой корзины означает, что игрушку следует утилизировать согласно закону об утилизации электрических и электронных устройств. При покупке новой игрушки вы можете вернуть старую в магазин. Чтобы узнать о других возможных вариантах утилизации, обратитесь в местную перерабатывающую организацию.

(PL) Wymagane są 3 baterie 1,5 V AAA (LR03) (nieodłączone). Baterie lub zestawy baterii należy poddać recyklingowi lub zutylizować zgodnie z zaleceniami. Gdy skończy się okres użytkowania produktu, nie należy go utylizować wraz z odpadami domowymi. Zgodnie z wymogami dot. zużytego sprzętu elektrotechnicznego i elektronicznego (WEEE) produkt należy zbierać osobno w celu przetworzenia go z użyciem najlepszych dostępnych metod odzysku i recyklingu. Zmniejsz to negatywny wpływ na środowisko naturalne i ludzkie zdrowie poprzez zmniejszenie skażenia gleby i wód niebezpiecznymi substancjami, ograniczy ilość zasobów potrzebnych do produkcji nowych urządzeń i nie spowoduje zwiększenia przestrzemi składowania odpadów. Zadbaj o środowisko naturalne i nie usuwaj tego produktu wraz z niesortowanymi odpadami komunalnymi! Symbol przedstawiający przekreślony „kosz na śmieci na kółkach” oznacza, że produkt należy przekazywać do punktów zbiórki „zużytego sprzętu elektrycznego i elektronicznego”. Zużyte urządzenie proszę przekazać sprzedawcy przy zakupie nowego produktu tego typu. Informacje o innych opcjach można uzyskać od przedstawicieli lokalnych władz.

(CZ) Vyžaduje 3 baterie typu AAA (LR03) 1,5 V (nejsou součástí balení). Baterie nebo bateriové moduly je nutné řádně recyklovat nebo zlikvidovat. Po dosažení konce užitečné životnosti by se tento produkt neměl likvidovat společně s běžným odpadem z domácnosti. Směrnice o odpadních elektrických a elektronických zařízeních (WEEE) vyžadují jeho oddělený sběr, aby ho bylo možno zpracovat podle nejlepších dostupných technik obnovy a recyklace. Tím se sníží dopad na životní prostředí a lidské zdraví způsobený znečištěním půdy a vody nebezpečnými látkami, sníží se množství zdrojů potřebných na výrobu nových produktů a zmenší se objem odpadu. Zajistěte, aby se tento produkt nedostal do komunálního odpadu! Symbol „popelnice“ znamená, že by se měl produkt likvidovat jako „elektrický a elektronický odpad“. Starý produkt můžete vrátit v prodejně, kde budete kupovat nový podobný produkt. Další možnosti vám sdělí místní úřady.

(SK) Vyžaduje 3 baterie typu AAA (LR03) 1,5 V (nie je súčasťou balenia). Batérie alebo súpravy batérií sa musia správne recyklovať alebo zlikvidovať. Keď tento produkt dosiahne koniec svojej životnosti, nemá by sa likvidovať s iným odpadom z domácnosti. Predpis o odpade z elektrických a elektronických zariadení vyžadujú, aby sa zbieral oddelene, aby sa mohol spracovať pomocou najlepších dostupných techník zhodnocovania a recyklácie. Minimalizuje sa tým vplyv na životné prostredie a zdravie ľudí spôsobený kontamináciou pôdy a vody akýmikoľvek nebezpečnými látkami, zniží sa tým množstvo zdrojov potrebných na výrobu nových produktov a ušetrí sa tým priestor v skládkach. Prispieť k ochrane životného prostredia tým, že tento produkt nebudete likvidovať s komunálnym odpadom! Symbol „smetného koša na kolieskach“ znamená, že produkt sa má likvidovať ako „odpad z elektrických a elektronických zariadení“. Starý produkt môžete vrátiť maloobchodnému predajcovi, keď si kúpite podobný nový. Informácie o ďalších možnostiach vám poskytne miestny orgán samosprávy.

(HU) 3 db 1,5V-os AAA (LR03) elem szükséges hozzá (nem tartozék). Az elemeket vagy elemcsomagokat megfelelően újra kell hasznosítani vagy ártalmatlanítani kell. Ha a termék elérte a hasznos élettartama végét, ne dobja ki más háztartási hulladékkal. Az elektronikus és elektronikus berendezések hulladékaikról szóló rendelkezések előírják az elkülönített gyűjtésüket, így a kezelésük a lehető legjobb helyreállítás és újrahasznosítás technikákkal történik. Ezzel minimalisra csökken a lehetséges veszélyes anyagok talaj- és vízszennyezés során a környezetre és az emberi egészségre gyakorolt hatása, valamint csökken az új termék gyártásához szükséges erőforrások mennyisége, illetve elkerülhető válik a hulladéklérakó helyek igénybe vétele. Kérjük, óvja környezetét, és kerülje a termék kommunális hulladékgyűjtőbe történő helyezését! A „kerékes kuka” szimbólum azt jelenti, hogy a begyűjtéskor ugyanúgy kell kezelni, mint az „elektronikus és elektronikus berendezéseket”. Hasonló új termék vásárlásakor a régi terméket átadhhatja a kereskedőnek. További lehetőségeikért forduljon a helyi önkormányzathoz.

(RO) Necesită 3 x baterii AAA (LR03) de 1,5 V (neincluse). Bateriile sau pachetele de baterii trebuie să fie reciclate sau eliminate în mod corepunzător. Când acest produs a ajuns la sfârșitul duratei sale de viață, acesta nu trebuie aruncat împreună cu deșeurile menajere. Reglementările privind deșeurile de echipamente electrice și electronice impun colectarea separată a acestora astfel încât să poată fi tratate cu cele mai bune tehnici de recuperare și reciclare disponibile. Astfel se va reduce la minim impactul asupra mediului și sănătății oamenilor, prin contaminarea solului și apei cu substanțe periculoase, se vor reduce resursele necesare pentru produse noi și se va evita ocuparea de spațiu în grupa de gunoi. Vă rugăm să vă faceți datoria civică nearuncând acest produs împreună cu deșeurile menajere! Simbolul „coșului de gunoi cu roți” indică faptul că acest produs ar trebui să fie colectat ca „deșeu de echipamente electrice și electronice”. Puteți returna un produs vechi la magazin atunci când cumpărați unul nou similar. Pentru alte opțiuni, vă rugăm să contactați consiliul local.

EN BATTERY SAFETY INFORMATION: Requires 3 x 1.5V AAA (LR03) batteries (not included). Batteries are small objects. Replacement of batteries must be done by adults. Follow the polarity (+/-) diagram in the battery compartment. Promptly remove dead batteries from the toy. Dispose of used batteries properly. Remove batteries for prolonged storage. Only batteries of the same or equivalent type as recommended are to be used. DO NOT incinerate used batteries. DO NOT dispose of batteries in fire, as batteries may explode or leak. DO NOT mix old and new batteries or types of batteries (i.e. alkaline/standard/rechargeable). Using rechargeable batteries is not recommended due to possible reduced performance. Rechargeable batteries are only to be charged under adult supervision. Replaceable-rechargeable batteries are to be removed from the toy before being charged. DO NOT recharge non-rechargeable batteries. DO NOT short-circuit the supply terminals.

FR INFORMATIONS DE SÉCURITÉ CONCERNANT LES PILES : Fonctionne avec 3 piles AAA (LR03) 1,5 V (non fournies). Les piles sont de petits objets. Le remplacement des piles doit être effectué par un adulte. Respecter le schéma de polarité (+/-) du compartiment des piles. Retirer immédiatement toute pile usagée du jouet. Jeter correctement les piles usagées. Retirer les piles du jouet en cas d'incinération prolongée. N'utiliser que des piles d'un même type ou d'un type équivalent à celui recommandé. NE PAS incinérer les piles usagées. NE PAS jeter les piles au feu ; elles pourraient exploser ou fuir. NE PAS mélanger des piles neuves et des piles usagées, ou des piles de types différents (ex : alcalines/standard/rechargeables). L'utilisation de piles rechargeables n'est pas recommandée en raison des baisses éventuelles de performance. Les piles rechargeables doivent être rechargées sous la surveillance d'un adulte. Retirer les piles rechargeables/remplaçables du jouet avant de les recharger. NE PAS recharger des piles non rechargeables. NE PAS court-circuiter les bornes d'alimentation.

ES INFORMACIÓN DE SEGURIDAD SOBRE LAS PILAS: Requiere 3 pilas AAA (LR03) de 1,5 V (no incluidas). Las pilas son objetos pequeños. Las pilas deben ser sustituidas por un adulto. siga las instrucciones de polaridad (+ / -) que aparecen en el compartimento de las pilas. Retire rápidamente las pilas usadas. Las pilas usadas deben desecharse de forma adecuada. Retire las pilas si va a guardar el juguete durante un periodo de tiempo prolongado. Utilice únicamente pilas del tipo recomendado o de un tipo equivalente. NO exponga las pilas usadas al fuego. NO desheche las pilas usadas quemándolas, ya que podrían explotar o desprender productos químicos. NO mezcle pilas nuevas y viejas, ni pilas de tipos distintos (p. ej., alcalinas, normales y recargables). No se recomienda usar pilas recargables, ya que el rendimiento puede verse afectado. Las pilas recargables solo deben cargarse bajo la supervisión de un adulto. Se deben extraer las pilas recargables del juguete antes de cargarlas. NO intente recargar pilas no recargables. NO cause cortocircuitos en las terminales de corriente.

DE SICHERHEITSHINWEISE ZU BATTERIEN: Benötigt 3 x 1,5-V-Batterien (AAA/LR03, nicht enthalten). Batterien sind kleine Gegenstände. Batterien müssen von Erwachsenen ausgewechselt werden. Das Polaritätsdiagramm (+/-) im Batteriefach beachten. Leere Batterien sofort aus dem Spielzeug entfernen. Verbrauchte Batterien ordnungsgemäß entsorgen. Bei längerfristiger Lagerung Batterien vorher entfernen. Nur dieselben oder gleichwertige Batterien wie empfohlen verwenden. Verbrauchte Batterien NICHT verbrennen. Batterien NICHT in Feuer entsorgen, da sie explodieren oder auslaufen könnten. Alte und neue Batterien oder verschiedene Batterietypen (z. B. Alkali/Standard/wiederaufladbar) NICHT zusammen einlegen. Von der Verwendung wiederaufladbarer Batterien ist abzuraten, da dies die Leistung beeinträchtigen könnte. Wiederaufladbare Batterien nur unter Aufsicht eines Erwachsenen laden. Austauschbare wiederaufladbare Batterien müssen vor dem Wiederaufladen aus dem Spielzeug entfernt werden. Nicht-aufladbare Batterien NICHT aufladen. Batteriepole NICHT kurzschließen.

NL VEILIGHEIDSGEINFORMATIE MET BETREKKING TOT DE BATTERIJEN: Vereist 3 AAA (LR03) batterijen van 1,5 V (niet inbegrepen). Batterijen zijn kleine voorwerpen. Het vervangen van batterijen dient door volwassenen te worden gedaan. Houd je aan het polariteitsdiagram (+/-) in het batterijvak. Verwijder lege batterijen onmiddellijk uit het speelgoed. Zorg voor een milieuvriendelijke afvalverwerking van de batterijen. Verwijder de batterijen als het speelgoed voor langere tijd wordt opgeborgen. Alleen batterijen van het aanbevolen type of een equivalent daarvan mogen worden gebruikt. Steek gebruikte batterijen NOOIT in brand. Gooi batterijen NOOIT in vuur. Hierdoor kunnen deze ontlopen of gaan lekken. Gebruik oude en nieuwe batterijen of verschillende typen batterijen (bijv. alkaline/standaard/oplaadbare) NOOIT door elkaar. Het gebruik van oplaadbare batterijen wordt afgeraden vanwege mogelijk verminderde prestaties. Oplaadbare batterijen mogen alleen onder toezicht van een volwassene worden opgeladen. Vervangbare oplaadbare batterijen moeten uit het speelgoed worden verwijderd voordat je deze gaat opladen. Laad niet-oplaadbare batterijen NOOIT op. Veroorzaak NOOIT kortsluiting tussen de contactpunten.

IT INFORMAZIONI DI SICUREZZA PER LE PILE: Richiede 3 pile AAA (LR03) da 1,5V (non incluse). Le pile sono oggetti di piccole dimensioni. Le pile devono essere sostituite da adulti. Far riferimento allo schema delle polarità (+/-) all'interno del comparto pile. Estrarre tempestivamente le pile scariche. Eliminare le pile scariche con la dovuta cautela. Estrarre le pile se non si utilizza il prodotto per un periodo di tempo prolungato. Usare solo pile dello stesso tipo o equivalenti. NON bruciare le pile usate. NON gettare le pile nel fuoco, potrebbero esplodere o essere soggette a perdite di liquido. NON mischiare pile vecchie e nuove o tipi di pile diverse (ad esempio alcaline, standard e ricaricabili). Si consiglia l'utilizzo di pile ricaricabili poiché potrebbero ridurre le prestazioni. Le pile ricaricabili devono essere sempre caricate con la supervisione di un adulto. È necessario rimuovere le pile ricaricabili-sostituibili dal giocattolo prima di metterle in carica. NON ricaricare le pile non ricaricabili. NON cortocircuiter i terminali delle pile.

PT INFORMAÇÕES DE SEGURANÇA SOBRE AS PILHAS: Requer 3 pilhas AAA (LR03) de 1,5V (não incluídas). Pilhas são objetos pequenos. A troca das pilhas deve ser realizada por adultos. Siga o diagrama de polaridade (+/-) no compartimento de pilhas. Retire as pilhas vazias do brinquedo. Descarte corretamente as pilhas usadas. Retire as pilhas para armazenamento prolongado. Recomenda-se que sejam usadas apenas pilhas iguais ou similares. NÃO incinere as pilhas usadas. NÃO jogue as pilhas no fogo, pois podem explodir ou vazar. NÃO misture pilhas novas com usadas, tampouco misture tipos de pilhas diferentes (pilhas alcalinas/regulares/recarregáveis, por exemplo). Não é recomendável usar pilhas recarregáveis, pois podem reduzir o desempenho. Pilhas recarregáveis devem ser carregadas somente sob a supervisão de um adulto. As pilhas/baterias substituíveis e recarregáveis devem ser removidas do brinquedo antes da recarga. NÃO recarregue pilhas não recarregáveis. NÃO permita que ocorra curto-circuito nos terminais do produto.

RU ИНФОРМАЦИЯ ПО БЕЗОПАСНОМУ ОБРАЩЕНИЮ С ЭЛЕМЕНТАМИ ПИТАНИЯ: Для работы требуются 3 элемента питания типа AAA (LR03) с напряжением 1,5 В (не входят в комплект). Элементы питания представляют собой миниатюрные предметы. Замену элементов питания должны выполнять взрослые. Соблюдайте полярность (+/-), указанную в отсеке элементов питания. Не оставляйте разрядившиеся элементы питания в игрушке. Утилизируйте элементы питания надлежащим образом. Извлекайте элементы питания, если игрушка не используется долгое время. Рекомендуется использовать элементы питания одного или эквивалентного типа. НЕ сжигайте использованные элементы питания. НЕ бросайте элементы питания в огонь. Это может привести к их утечке или взрыву. НЕ используйте новые элементы питания в сочетании с использованными или элементы питания разного типа (т.е. щелочные/обычные/перезаряжаемые). Использование перезаряжаемых элементов питания не рекомендуется. Это может ухудшить работу игрушки. Перезаряжаемые элементы питания следует заряжать только под присмотром взрослых. Перед зарядкой заменяемые и перезаряжаемые элементы питания необходимо извлечь из игрушки. ЗАПРЕЩАЕТСЯ заряжать перезаряжаемые элементы питания. ИЗБЕГАЙТЕ короткого замыкания источников питания.

PL INFORMACJE DOTYCZĄCE BEZPIECZNEGO KORZYSTANIA Z BATERII: Wymagane są 3 baterie 1,5 V AAA (LR03) (nie dołączone). Baterie są przedmiotami o niewielkim rozmiarze. Ich wymiany muszą dokonywać osoby dorosłe. Baterie umieszcza się w komorze zgodnie z oznaczeniami biegunowości (+/-). Zużyte baterie należy niezwłocznie wyjąć z zabawki. Baterie trzeba poddać prawidłowej utylizacji. W razie dłuższej przerwy w użytkowaniu baterie należy wyjąć. Konieczne jest używanie wyłącznie zatwierdzonych baterii tego samego typu lub ich zamienników. NIE spalaj zużytych baterii. NIE wrzucaj baterii do ognia, ponieważ może to spowodować ich wybuch lub wyciek elektrolitu. NIE używaj starych baterii z nowymi ani nie stosowaj jednocześnie różnych rodzajów baterii (np. alkalicznych ze zwykłymi lub akumulatorami). Używając akumulatorów jest niewskazane ze względu na możliwe obniżenie wydajności. Akumulatory można ładować wyłącznie pod nadzorem osoby dorosłej. Wymienne akumulatory przed ładowaniem należy wyjąć z zabawki. NIE ładować baterii do jednorazowego użytku. NIE dopuszczaj do zwarcia styków baterii.

CZ BATERIE – BEZPEČNOSTNÍ INFORMACE: Vyžaduje 3 baterie typu AAA (LR03) 1,5 V (nejsou součástí balení). Baterie jsou drobné předměty. Výměnu baterií musí provádět dospělá osoba. Řiďte se schématem polarit (+/-) v oddílu pro baterie. Vybírejte baterie okamžitě vyndjte z hračky. Použité baterie řádně zlikvidujte. Při delším skladování vyndjte baterie. Doporučujeme používat pouze baterie stejného nebo rovnocenného typu. Použité baterie NEPALTE. Baterie NELIKVIDUJTE v ohni, protože baterie mohou vybuchnout nebo vytéct. NEPOUŽÍVEJTE ZÁROVEN staré a nové baterie ani různé typy baterií (např. alkalické, standardní a dobíjecí baterie). Použití dobíjecích baterií není doporučeno, protože může být příčinou nižšího výkonu. Dobíjecí baterie musí být dobíjeny pod dohledem dospělého. Před dobíjením je nutné vyměnitelné dobíjecí baterie z hračky vyjmout. Nedobíjecí baterie NEDOBÍJEJTE. NEZKRATUJTE svorky napájení.

SK BEZPEČNOSTNÉ INFORMÁCIE SÚVISIACE S BATERIAMI: Vyžaduje 3 baterie typu AAA (LR03) 1,5 V (nie je súčasť balenia). Batérie sú malé súčasti. Výmenu batérií musí vykonať dospelá osoba. Postupujte podľa diagramu polarit (+/-) v priestore pre baterie. Vybírejte batérie urýchlene odstráňte z hračky. Použité batérie správne zlikvidujte. Pri dlhodobom skladovaní vyberte batérie. Používajte iba batérie rovnakeho alebo rovnocenného typu, ako sú odporúčané batérie. NEPÁLJTE použité batérie. Batérie NEHADŽTE do ohňa, keďže môžu vybuchnúť alebo vytiecť. NEPOUŽÍVAJTE SÚČASNĚ staré a nové batérie ani rôzne typy batérií (t. j. alkalické/standardné/nabíjateľné batérie). Neodporúča sa používať nabíjateľné batérie, pretože môžu dôjsť k zníženiu výkonu. Nabíjateľné batérie sa majú nabíjať len pod dohľadom dospelého. Vyberateľné nabíjateľné batérie treba pred nabíjaním vybrať z hračky. NENABÍJAJTE nenabíjateľné batérie. NESPOSOBUJTE skrat na napájacích koncovkách.

HU ELEMEKKEK KAPCSOLATOS BIZTONSÁGI ELŐÍRÁSOK: 3 db 1,5V-os AAA (LR03) elem szükséges hozzá (nem tartozék). Az elemek apró tárgyak. Az elemek cseréjét felnőttnek végezze. Ügyeljen az elemtartón látható polaritási (+/-) ábrára. Haladéktalanul távolítsa el a töltéremet elemeket a játékból. Ártalmatlanítsa megfelelően a használt elemeket. Hosszas tárolás esetén távolítsa el az elemeket. Kizárólag azonos, vagy a javasolt típpsal egyenértékű elemeket használjon. NE égesse el a használt elemeket. NE dobja az elemeket tűzbe, mivel azok felrobbanhatnak vagy szivároghatnak. NE használjon régi és új, vagy különböző típusú elemeket egyszerre (pl. alkáli/normál/újratölthető elem). Nem ajánlott újratölthető elemeket használni az esetlegesen fellépő csökkent teljesítmény miatt. Az újratölthető elemeket csak felnőtt felügyelete mellett szabad tölteni. A cserélhető-újratölthető elemeket el kell távolítani a játékból a töltés előtt. NE tölts fel a nem újratölthető elemeket. NE zárja rövidre a tápegység érintkezőit.

RO **INFORMAȚII PRIVIND SIGURANȚA PENTRU BATERIE:** Necesită 3 x baterii AAA (LR03) de 1,5 V (neincluse). Bateriile sunt obiecte mici. Înlocuirea bateriilor trebuie să fie efectuată de adulți. Respectați marcele privind polaritatea (+/-) din compartimentul bateriilor. Îndepărtați imediat bateriile descărcate din jucărie. Eliminați bateriile uzate în mod corespunzător. Scoateți bateriile înainte unei perioade prelungite de depozitare. Trebuie să fie utilizate numai baterii de același tip sau de un tip echivalent cu cel recomandat. NU ardeți bateriile uzate. NU aruncați bateriile în foc, deoarece acestea pot exploda sau lichidul din ele se poate scurge. NU utilizați concomitent baterii vechi și noi sau tipuri diferite de baterii (adică alcaline/standard/reîncărcabile). Nu este recomandată utilizarea de baterii reîncărcabile, deoarece este posibilă reducerea performanțelor. Bateriile reîncărcabile trebuie încărcate exclusiv sub supravegherea unui adult. Bateriile reîncărcabile, care pot fi înlocuite, trebuie scoase din jucărie înainte de încărcare. NU reîncărcați bateriile nereîncărcabile. NU scurtcircuitați bornele de alimentare.

EN. Remove all packaging before use. Retain this information, addresses and phone numbers for future reference. Content may vary from pictures. An adult should periodically check this toy to ensure no damage or hazards exist, if so, remove from use. Children should be supervised during play. Adult supervision advised. Meccano reserves the right to discontinue use of the www.meccano.com website at any time.

FR. Retirer tout l'emballage avant utilisation. Conserver les informations, adresses et numéros de téléphone pour consultation ultérieure. Le contenu peut différer des images. Un adulte doit régulièrement examiner ce jouet afin de s'assurer qu'il ne présente pas de dommage ni de risque. En cas de problème, ne plus l'utiliser. Les enfants doivent être surveillés lorsqu'ils jouent. Surveillance d'un adulte conseillée. Meccano se réserve le droit de supprimer le site Internet www.meccano.com à tout moment.

ES. Retire todo el embalaje antes de utilizar el producto. Conserve toda la información, las direcciones y los números de teléfono para futuras referencias. El contenido del paquete puede no corresponder con las imágenes. Un adulto debe revisar de forma periódica el juguete para asegurarse de que no supone un riesgo para el niño; si así fuera el caso, interrumpa su uso. Supervise a los niños mientras juegan con el producto. Se recomienda la vigilancia de un adulto.

DE. Entfernen Sie vor der Benutzung sämtliche Verpackungsmaterialien. Alle Informationen, Adressen und Telefonnummern bitte für mögliche Rückfragen aufbewahren. Der Packungsinhalt kann von den Bildern abweichen. Ein Erwachsener sollte regelmäßig sicherstellen, dass das Spielzeug keine Gefahr darstellt, und es gegebenenfalls entfernen. Kinder sollten beim Spielen beaufsichtigt werden. Beaufsichtigung durch Erwachsene empfohlen.

NL. Verwijder de verpakking voor gebruik. Bewaar deze informatie, adressen en telefoonnummers voor toekomstig gebruik. Inhoud kan afwijken van illustraties. Een volwassene dient dit speelgoed regelmatig te controleren. In geval van schade of gevaaren het speelgoed niet meer gebruiken. Houd toezicht als kinderen spelen. Toezicht door een volwassene aanbevelen.

IT. Rimuovere l'imballo prima dell'uso. Conservare informazioni, indirizzi e numeri di telefono per riferimento futuro. Il prodotto potrebbe essere differente dalle immagini. Il giocattolo deve essere periodicamente controllato da un adulto per prevenire eventuali danni o rischi; in caso di danno, sospendere l'uso. I bambini devono essere sorvegliati durante il gioco. Si raccomanda la sorveglianza di un adulto.

PT. Remova totalmente a embalagem antes de utilizar. Guarde todos os endereços, números de telefone e demais informações para consulta e referência. O conteúdo poderá ser diferente das ilustrações. Um adulto deve verificar o brinquedo periodicamente para garantir que não há danos ou riscos. Se houver, é necessário que o brinquedo seja retirado de uso. As crianças devem ser supervisionadas enquanto brincam. Recomendada a vigilância por adultos.

RU. Снимите все упаковочные материалы перед использованием. Запишите указанные на упаковке адреса и номера телефонов, чтобы у вас была возможность связаться с нами. Содержимое упаковки может отличаться от иллюстрации. Взрослым следует время от времени проверять игру и следить за тем, чтобы она не была сломана и не представляла опасности для ребенка. В противном случае ее не следует использовать. Во время игры дети должны находиться под присмотром. Рекомендуется присмотр взрослых.

PL. Przed użyciem wyjąć zabawkę z opakowania. Zachować niniejsze informacje, adresy i numery telefonów na wypadek, gdyby były potrzebne w przyszłości. Zawartość opakowania może różnić się od zabawki przedstawionej na obrazkach. Osoba dorosła powinna regularnie sprawdzać zabawkę pod kątem uszkodzeń oraz zagrożen. Jeśli takowe wystąpią, należy zaprzęścić używania zabawki. Dzieci nie powinny bawić się bez nadzoru. Dzieci powinny być nadzorowane przez osobę dorosłą.

CZ. Před použitím odstráňte veškeré balící materiály. Uložte si tyto informace, adresy a telefonní čísla pro budoucí použití. Obsah se může lišit od obrázků. Dospělá osoba by měla pravidelně kontrolovat, zda hračka není poškozená nebo zda nepředstavuje nebezpečí. Pokud ano, hračku vyhodte. Během hry nenechávejte děti bez dozoru. Doporučujeme dohled dospělého.

SK. Pred použitím odstráňte všetok obalový materiál. Tieto informácie, adresy a telefónne čísla si uchovejte na ďalšie použítie. Obsah sa môže líšiť od zobrazenia. Túto hračku musí pravidelne kontrolovať dospelá osoba, aby sa uistila, že nedošlo k jej poškodeniu a že nehrozí žiadne nebezpečenstvo. Ak áno, ukončite jej používanie. Deti nesmú byť pri hre bez dozoru. Odporúča sa dozor dospelého.

HU. Használat előtt távolítsd el minden csomagolóanyagot. A tudnivalókat, a címét és a telefonszámot őrizze meg későbbi használatra. A csomag tartalma eltérhet a képen látottaktól. A felhőteknék rendszeresen ellenőrizniük kell, hogy a játékon nincs-e sérülés, illetve nem jelent-e veszélyforrást. Ha igen, ki kell vonni a használatból. A gyermeknek játék közben felügyeletet igényelnek. Felniő felügyeletre javasolt.

RO. Îndepărtați toate ambalajele înainte de utilizare. Păstrați aceste informații, adresele și numerele de telefon pentru consultare ulterioară. Conținutul poate fi diferit de imaginea din fotografii. Această jucărie trebuie verificată periodic de un adult pentru a se asigura că nu există nicio deteriorare sau niciun pericol, dacă există, scoateți jucăria din uz. Copiii trebuie supravegheați în timp ce se joacă. Se recomandă supravegherea de către adulți.

EN. The toy is not to be connected to more than the recommended number of power supplies. / **FR.** Ne pas brancher ce jouet à un nombre de blocs d'alimentation supérieur à celui recommandé. / **ES.** No debe conectarse el juguete a más fuentes de alimentación de las indicadas. / **DE.** Das Spielzeug darf nicht an mehr Stromquellen als empfohlen angeschlossen werden.

NL. Het speelgoed mag niet op meer dan het aanbevolen aantal stroomvoorzieningen worden aangesloten. / **IT.** Il giocattolo non deve essere connesso a un numero di alimentatori superiore a quello suggerito. / **PT.** Não conecte o brinquedo a um número maior do que o número recomendado de fontes de alimentação. / **RU.** К игрушке нельзя подключать источники питания в количестве, превышающем рекомендованное. / **PL.** Zabawki nie należy podłączać do większej liczby zasilaczy, niż jest to zalecane. / **CZ.** Nepřipojujte hračku k většímu počtu zdrojů napájení, než je doporučený počet. / **SK.** Hračka sa nesmie pripájať k vyššiemu než odporúčanému počtu zdrojov napájania. / **HU.** Tilos a játékot az ajánlottnál több tápegységhez csatlakoztatni. / **RO.** Jucăria nu trebuie conectată la mai multe surse de alimentare decât este recomandat.



UK – 0800 206 1191, serviceuk@spinmaster.com
IRELAND – 1800 992 249
FRANCE – 0800 909 150, servicefr@spinmaster.com
AUSTRALIA – 1800 316 982, customercare@spinmaster.com
DEUTSCHLAND – 08000 0101 0222, kundenservice@spinmaster.com
SCHWEIZ – 0800 561 350 • **ÖSTERREICH** – 0800 297 267
NEDERLAND – 0800 022 3683, klantenservice@spinmaster.com
BELGIË/BELGIQUE – 0800 77 688 • **LUXEMBOURG** – 800 2 8044
ITALIA – 800 788 532, servizio@spinmaster.com
MÉXICO – 55 4160 7947, servicio@spinmaster.com
POLSKA – 800080238, poland@spinmaster.com
ČESKÁ REPUBLIKA – 800550530, czechrepublic@spinmaster.com
SLOVENSKO – 0800232800, slovakia@spinmaster.com
MAGYARORSZÁG – 080 100 052, hungary@spinmaster.com
ROMÂNIA – 0800400015, romania@spinmaster.com



NORTH AMERICA • AMÉRIQUE DU NORD 1-800-622-8339, CUSTOMERCARE@SPINMASTER.COM
WWW.SPINMASTER.COM

TM & © 2018 MECCANO for packaging, instructions and models built with this set. * MECCANO is an exclusive trademark of MECCANO. Spin Master logo is a trademark of Spin Master Ltd. All rights reserved. / TM & © 2018 MECCANO pour l'emballage, les notices et modèles de ce coffret. * MECCANO est une marque de commerce exclusive de MECCANO. Le logo de Spin Master est une marque de commerce de Spin Master Ltd. Tous droits réservés.

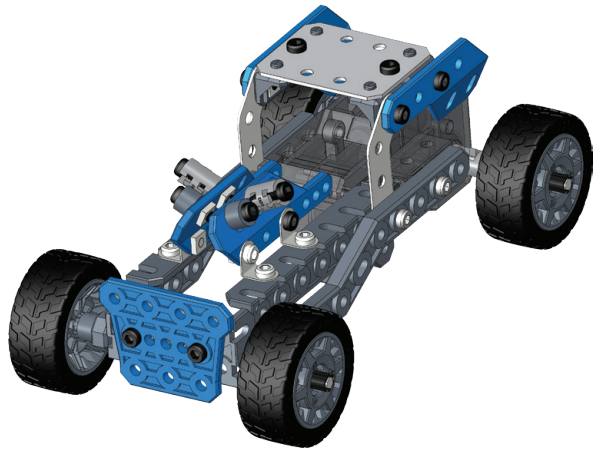
Meets CPSC Safety Requirements.
Conforme aux exigences de sécurité de la CPSC.
Cumple con las normas de seguridad de la CPSC.

SPIN MASTER LTD, 450 FRONT STREET WEST, TORONTO, ON M5V 1B6 CANADA.
Imported into EU by/Importé dans l'UE par : SPIN MASTER INTERNATIONAL, S.A.R.L.,
20 RUE DES PEUPLIERS, L-2328, LUXEMBOURG
www.spinmaster.com

Made in China / Fabriqué en Chine / Hecho en China

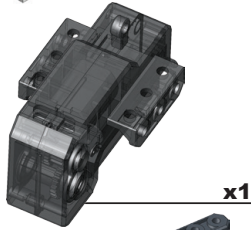


T91786_0016_20094391_GML_ISW_R3(MEC_10mm_Rally_Racer_Cn_S18)



1

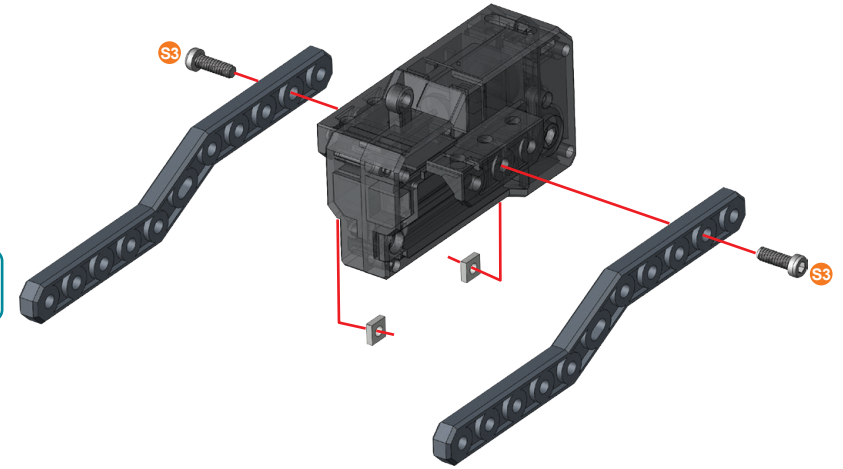
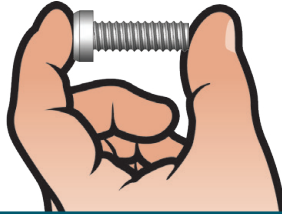
S3 | 12 mm | **x2**
 1/2" | **x2**



x1

x2

S3 | **1:1**



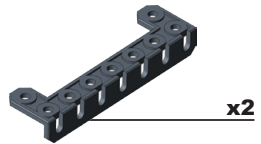
2

S3 | 12 mm | **x2**
 1/2" | **x2**

B1 | 14.7 mm | **x2**
 37/64" | **x2**

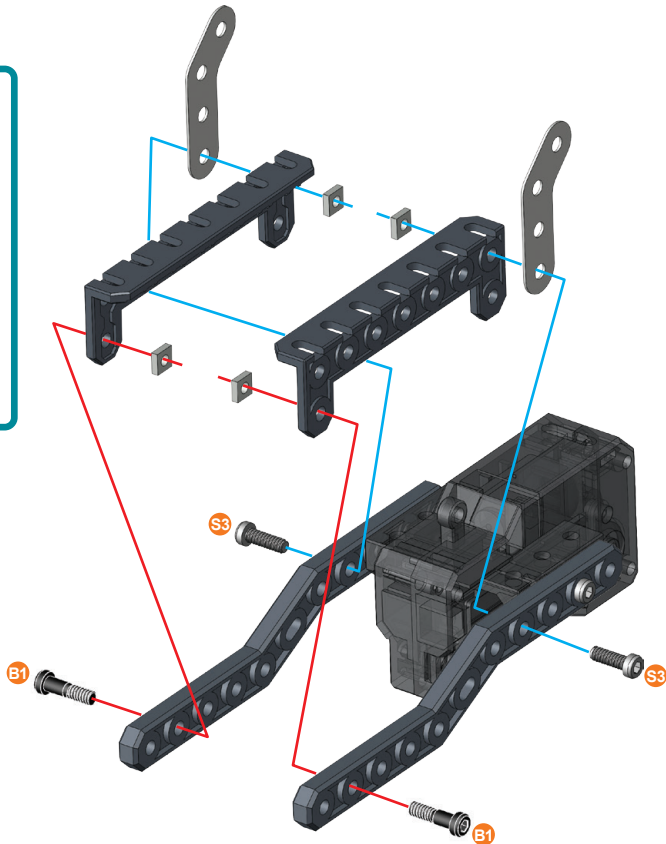
x4

x2



x2

S3 | **1:1**
B1



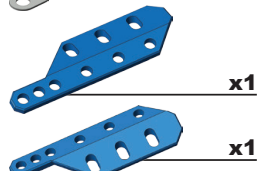
3

S1 | 5.8 mm | **x2**
 15/64" | **x2**

S2 | 9.5 mm | **x2**
 3/8" | **x2**

x4

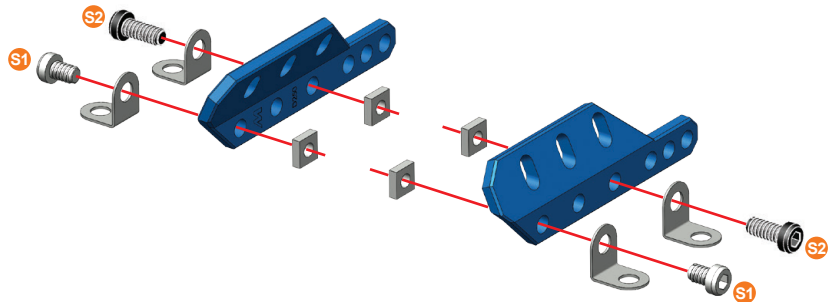
x4








x1

x1

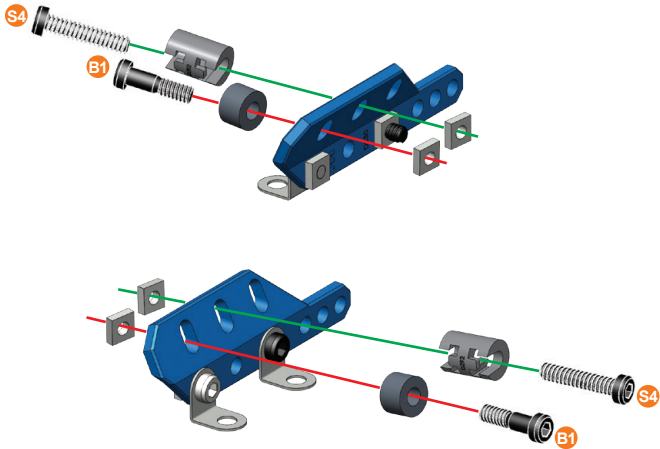
S1 | **1:1**
S2



4



-  B1 | 14.7 mm | x2
37/64"
-  S4 | 19 mm | x2
3/4"
-  x4
-  x2
-  x2

-  B1
 -  S4
 -  A238
- 1:1

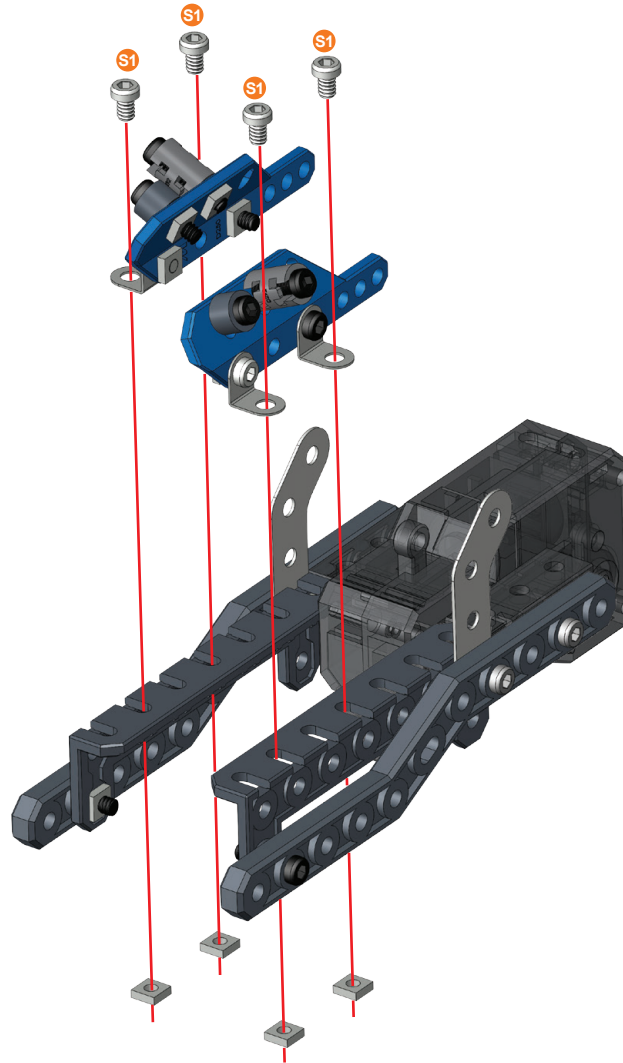


5





②+④+

-  S1 | 5.8 mm | x4
15/64"
-  x4

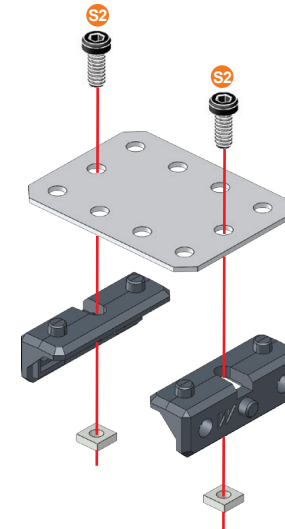
-  S1
- 1:1



6

-  S2 | 9.5 mm | x2
3/8"
-  x2
-  x2
-  x1

-  S2
- 1:1



7

5+6+

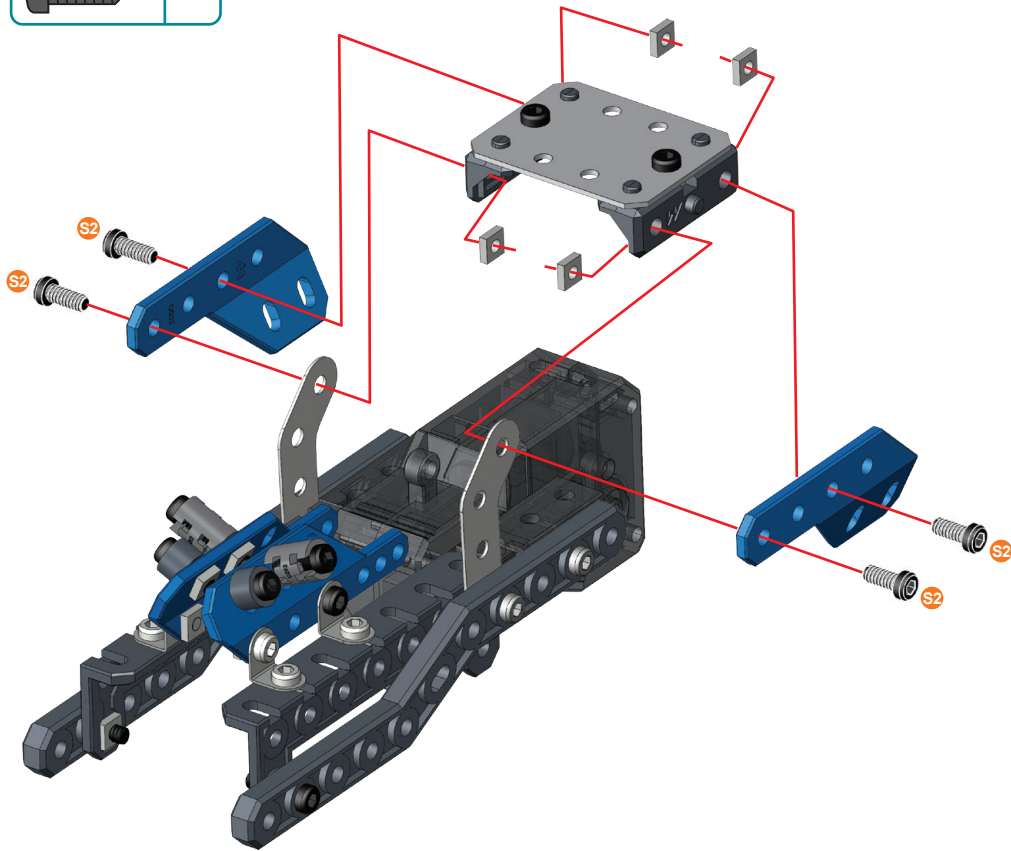
S2 9.5 mm 3/8" x4

x4

x1

x1

S2 1:1



8

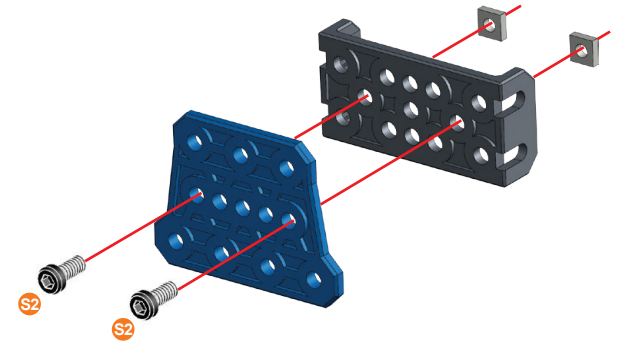
S2 9.5 mm 3/8" x2

x2

x1

x1

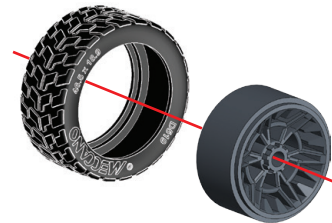
S2 1:1



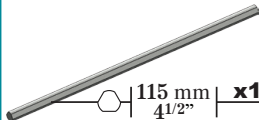


9

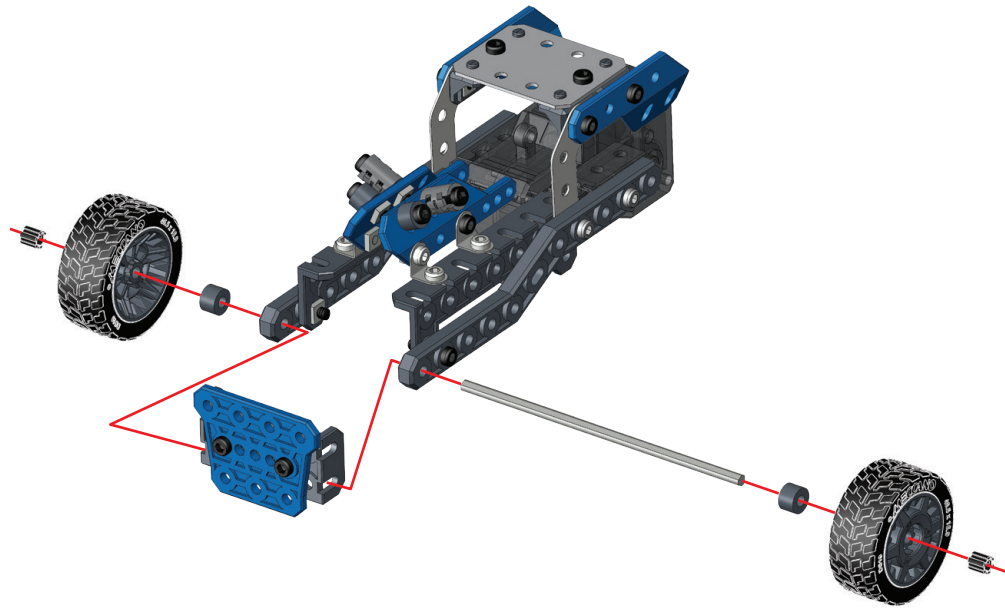
x4

x4



10 (7)+(8)+(9)+

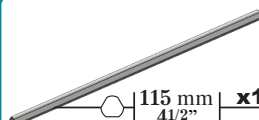




-  115 mm | 4 1/2" | **x1**
-  **x2**
-  **x2**

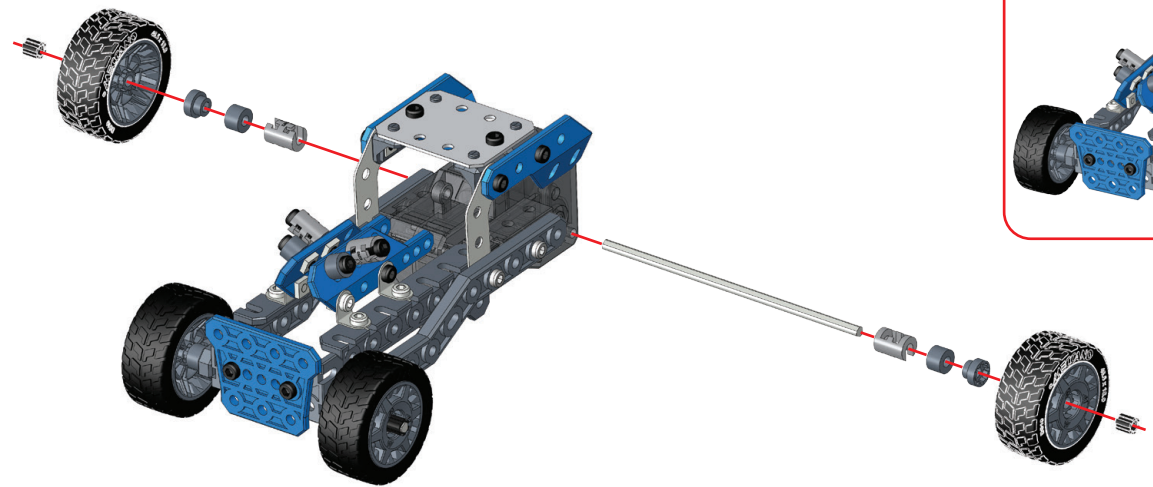


-  **A238** | **1:1**

-  **1:1**

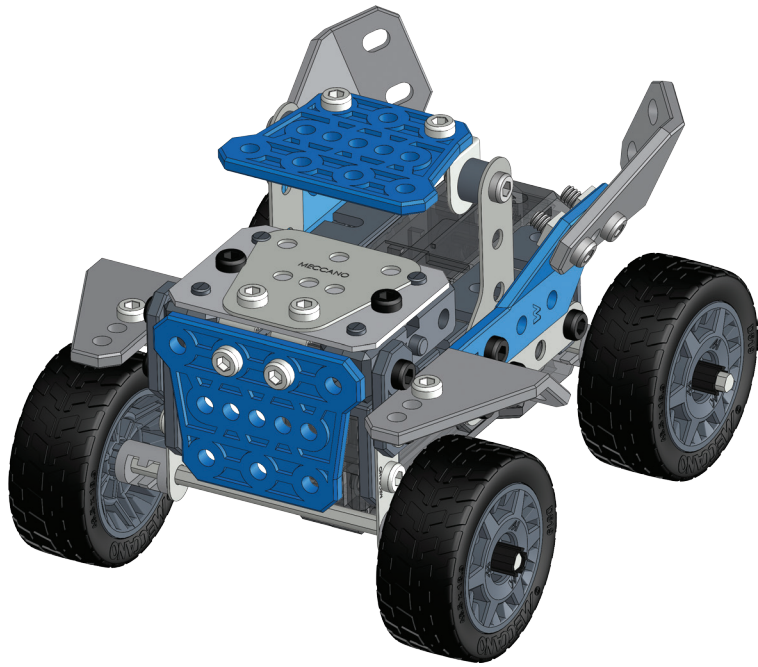
11 (9)+(10)+

-  115 mm | 4 1/2" | **x1**
-  **x2**
-  **x2**
-  **x2**
-  **x2**







-  **A238** | **1:1**

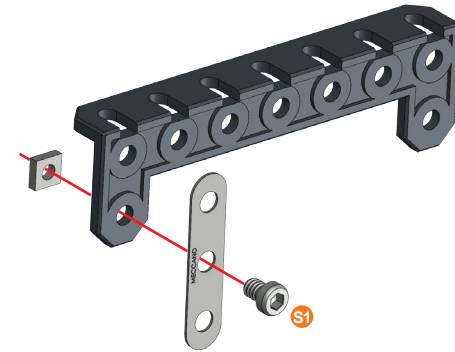
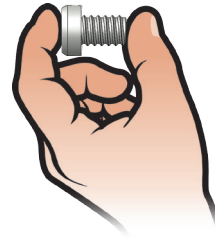
-  **1:1**






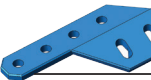
1

	S1 5.8 mm x1
	15/64" x1
	x1
	x1

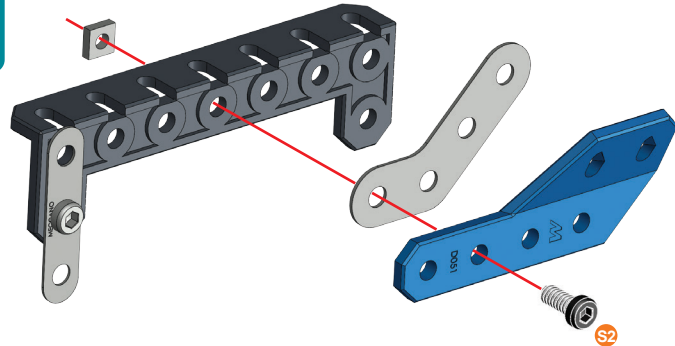
	S1 1:1
---	------------------------






2

	S2 9.5 mm x1
	3/8" x1
	x1
	x1
	x1

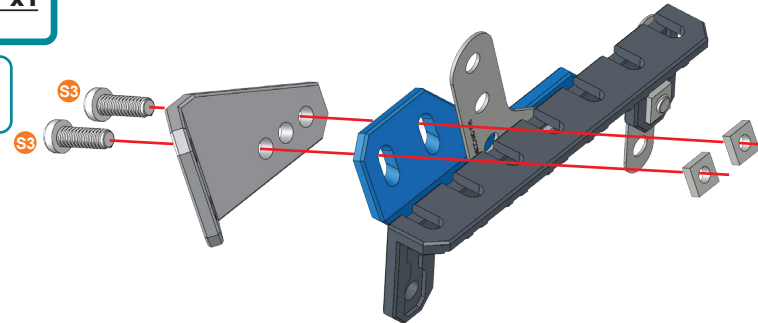
	S2 1:1
--	------------------------






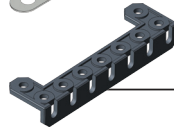
3

	S3 12 mm x2
	1/2" x2
	x2
	x1

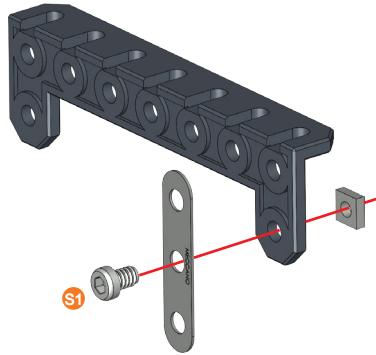
	S3 1:1
---	------------------------






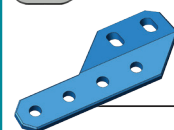
4

-  S1 | 5.8 mm | x1
15/64"
-  | x1
-  | x1
-  | x1

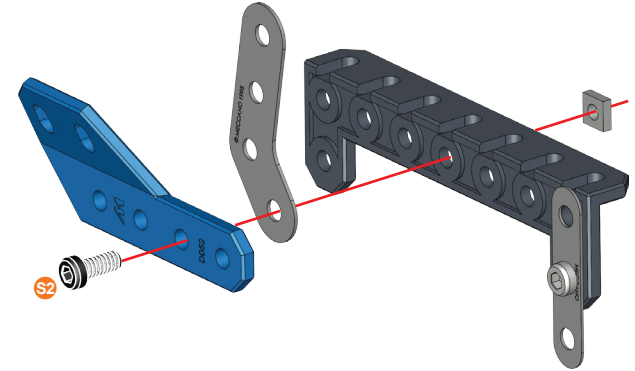
-  S1 | 1:1





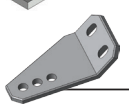
5

-  S2 | 9.5 mm | x1
3/8"
-  | x1
-  | x1
-  | x1

-  S2 | 1:1

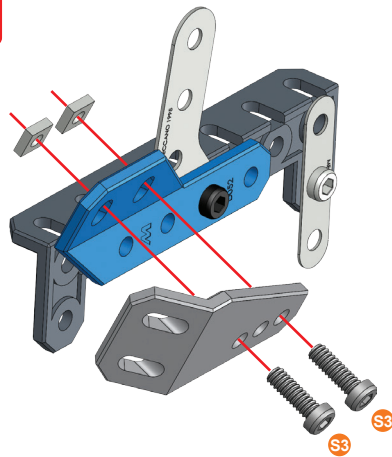


6



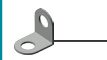

-  S3 | 12 mm | x2
1/2"
-  | x2
-  | x1



-  S3 | 1:1

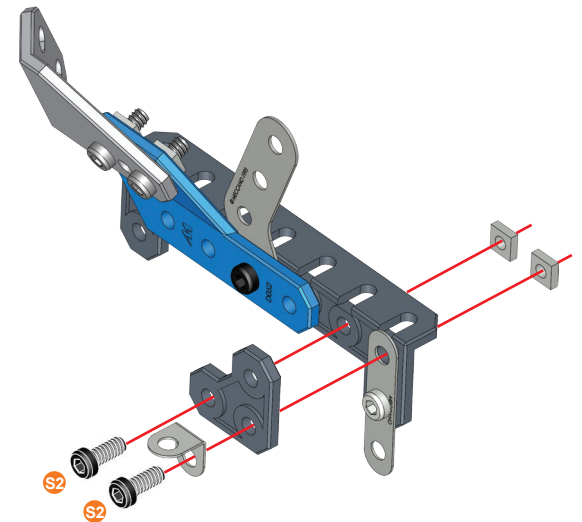


7

-  S2 | 9.5 mm | x2
3/8"
-  | x2
-  | x1
-  | x1

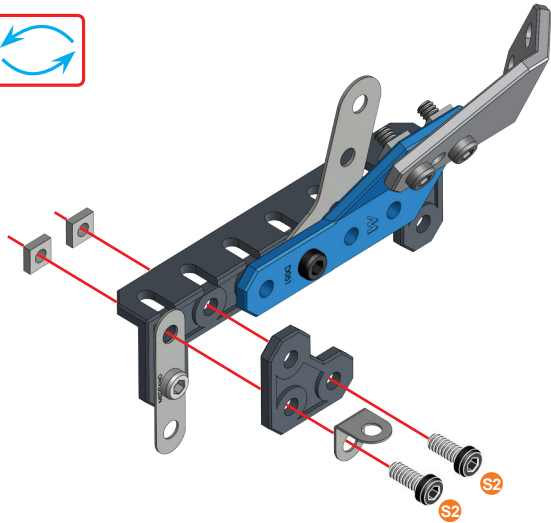


-  S2 | 1:1



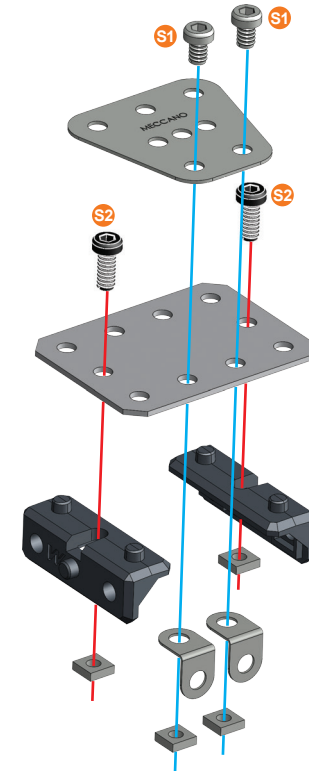
- 8** ③+
- 9.5 mm | 3/8" | **x2**
 - | **x2**
 - | **x1**
 - | **x1**

- S2** | **1:1**



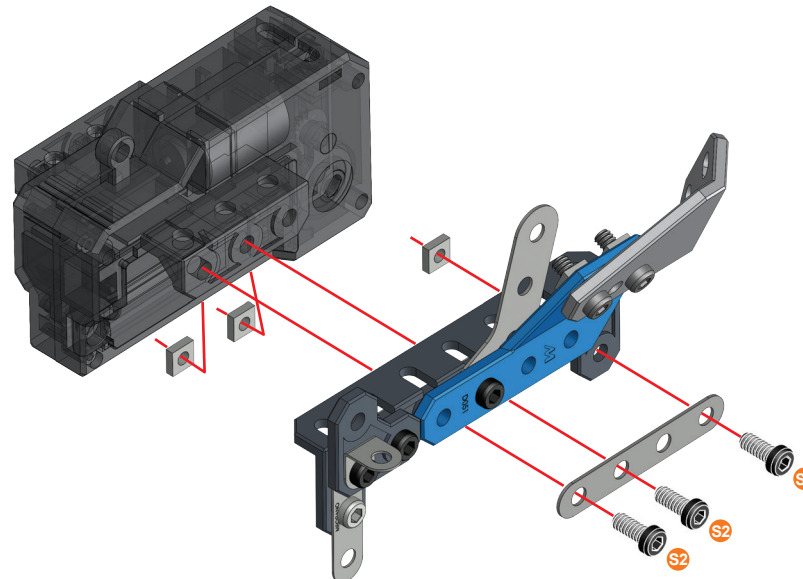
- 9**
- 5.8 mm | 15/64" | **x2**
 - 9.5 mm | 3/8" | **x2**
 - | **x4**
 - | **x2**
 - | **x2**
 - | **x1**
 - | **x1**

- S1** | **1:1**
- S2** | **1:1**



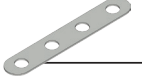


- 10** ⑧+
- 9.5 mm | 3/8" | **x3**
 - | **x3**
 - | **x1**
 - | **x1**

- S2** | **1:1**

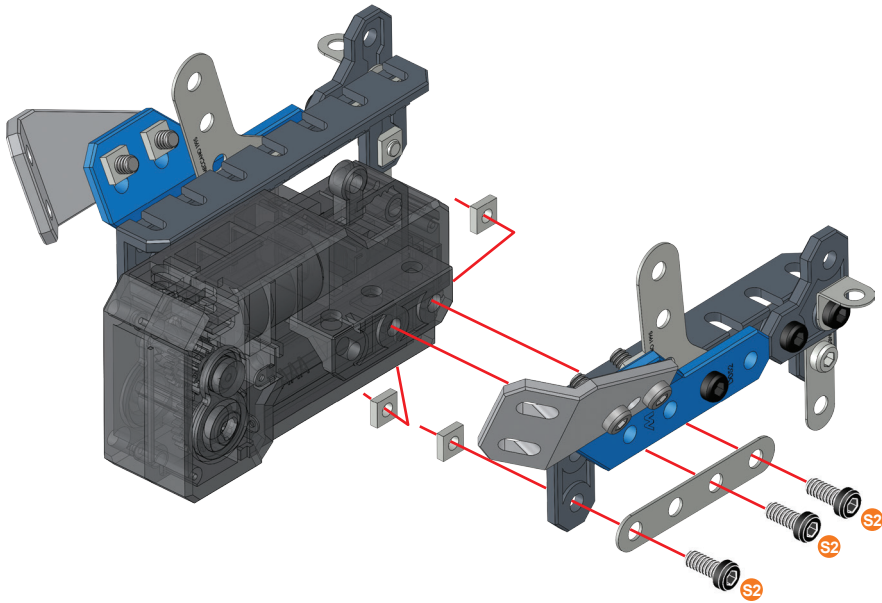


11 (7)+(10)+



	9.5 mm 3/8"	x3
		x3
		x1



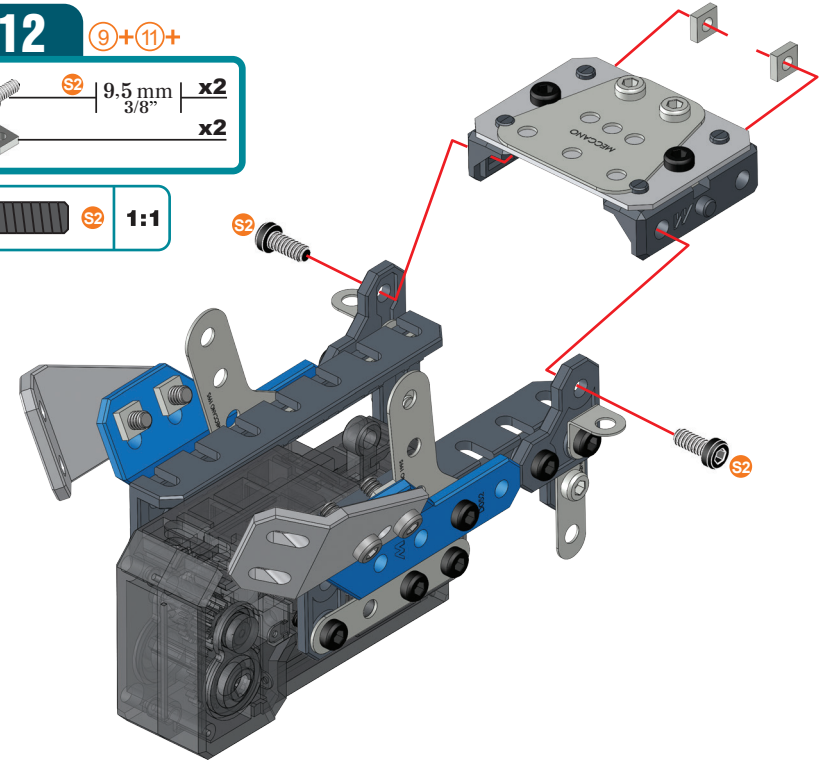
	S2	1:1
--	----	-----





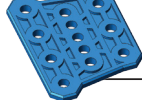
12 (9)+(11)+

	9.5 mm 3/8"	x2
		x2

	S2	1:1
---	----	-----

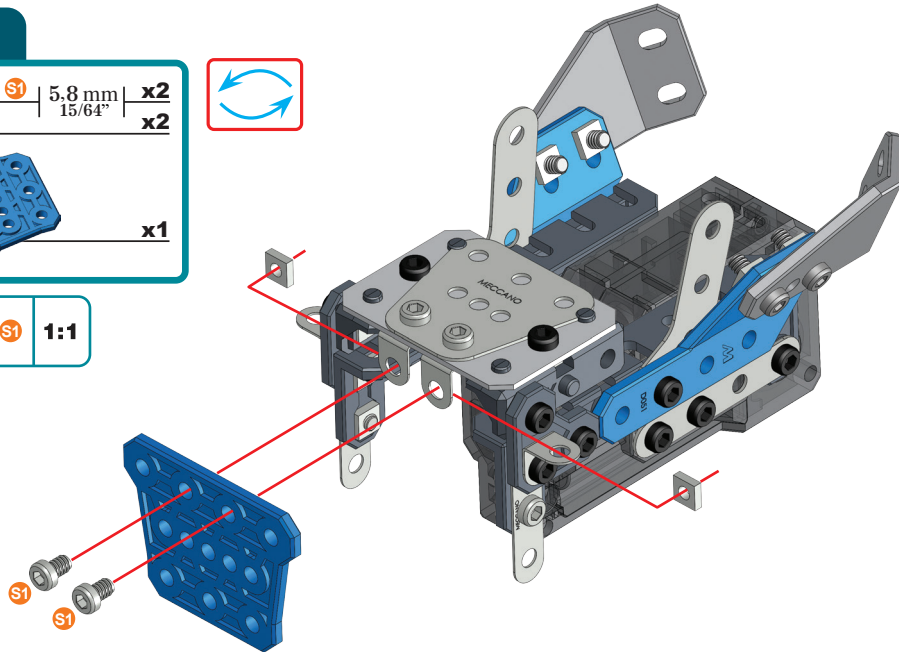


13




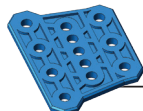
	5.8 mm 15/64"	x2
		x2
		x1



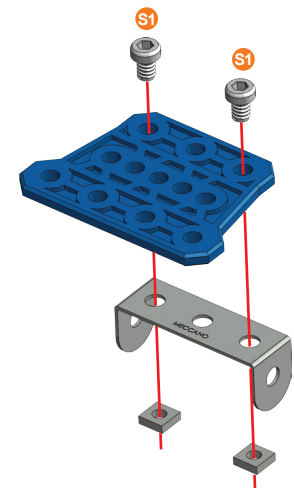
	S1	1:1
--	----	-----



14

	5.8 mm 15/64"	x2
		x2
		x1
		x1

	S1	1:1
---	----	-----



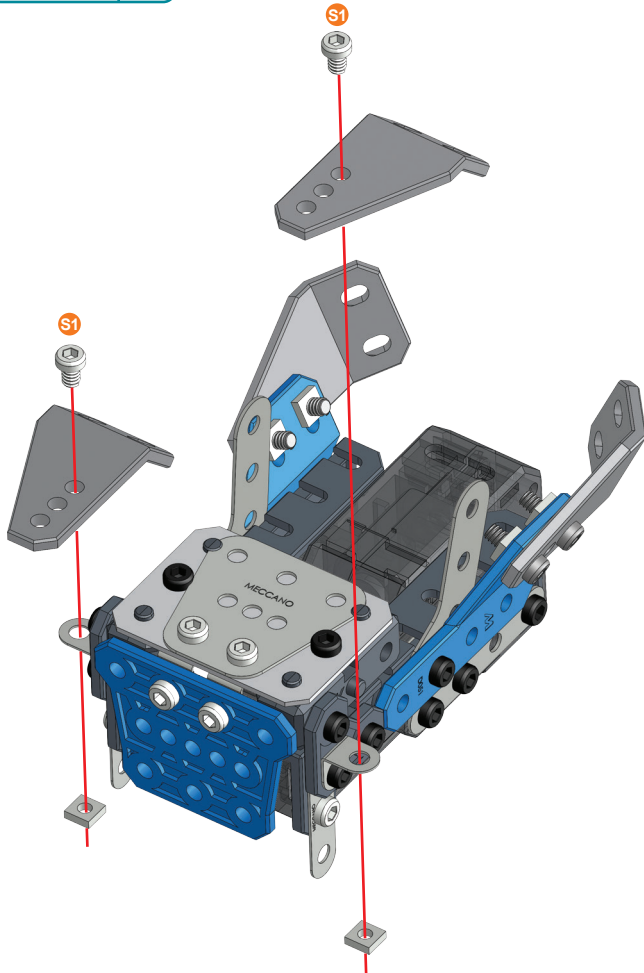
15

S1 5.8 mm | x2
15/64" | x2

x1

x1

S1 1:1



16

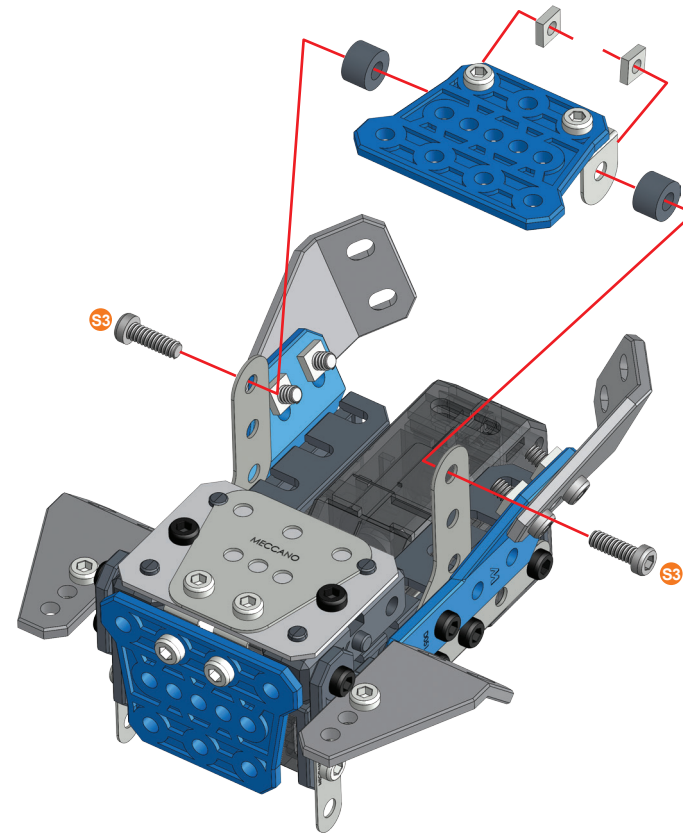
14+15+

S3 12 mm | x2
1/2" | x2

x2

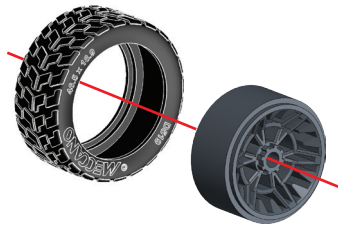
x2

S3
A238 1:1

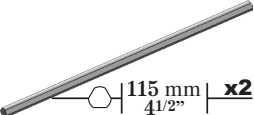






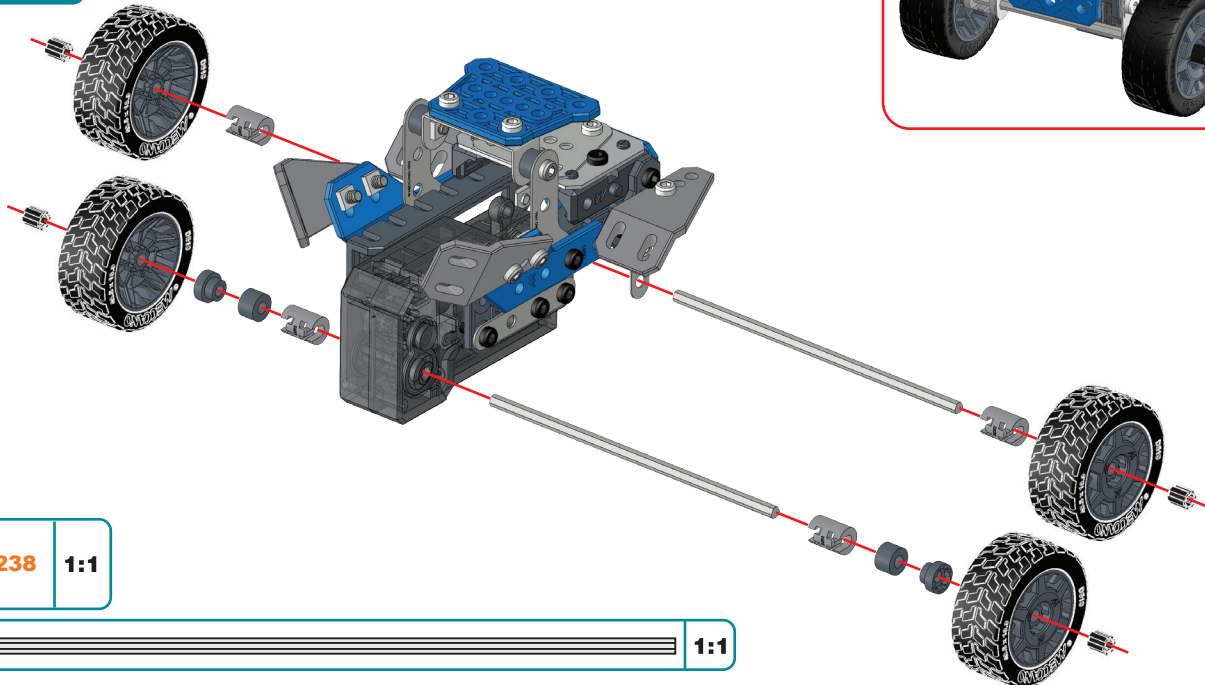
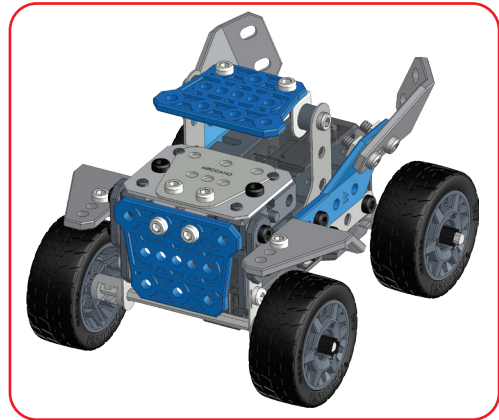
17

	x4
	x4



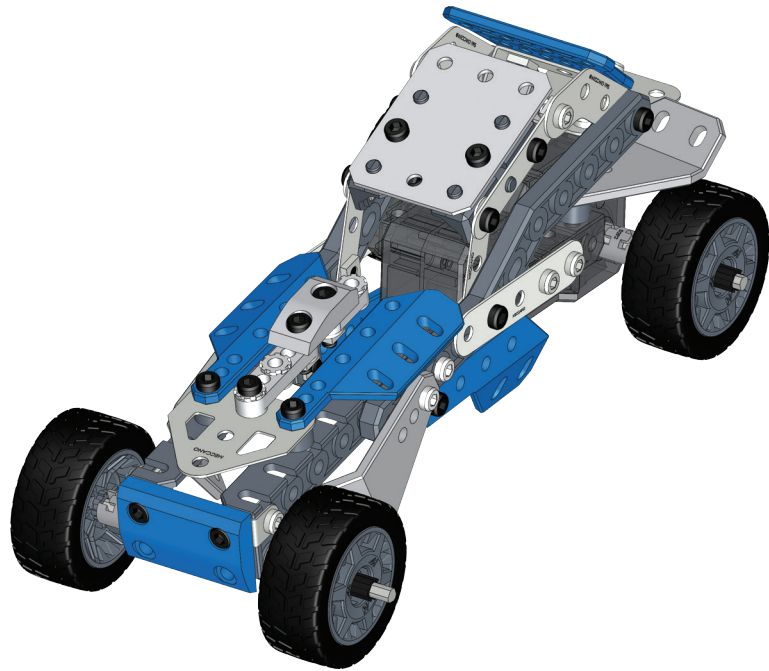
18 (16)+(17)+

	115 mm 4 1/2" x2
	x4
	x2
	x2
	x4






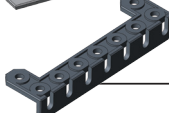



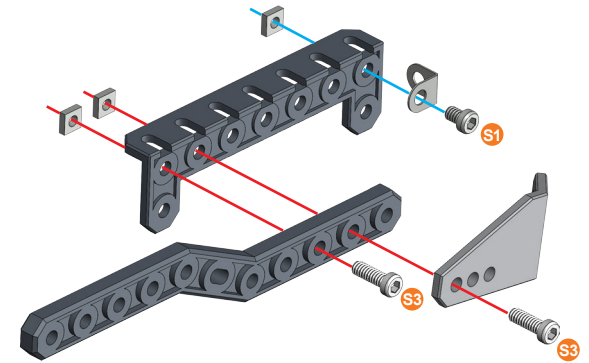
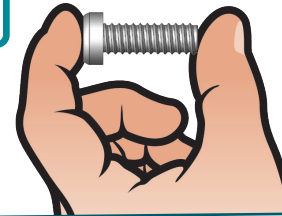
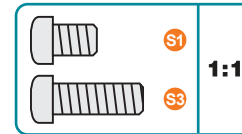
		A238	1:1
---	---	-------------	------------

	1:1
--	------------






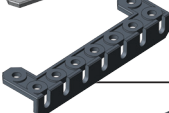



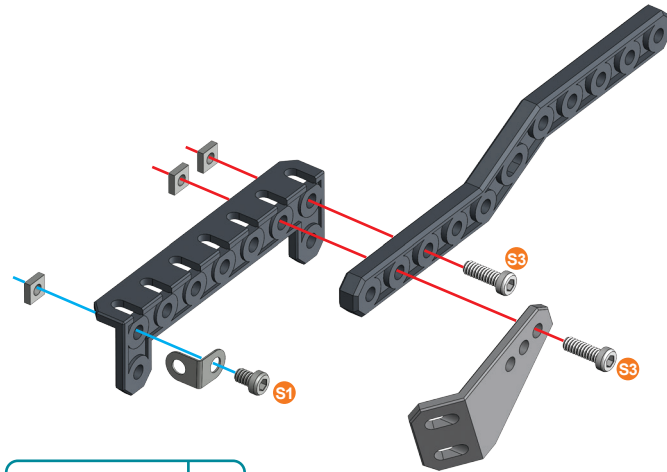
1

-  S1 | 5.8 mm | x1
15/64"
-  S3 | 12 mm | x2
1/2"
-  x3
-  x1
-  x1
-  x1
-  x1







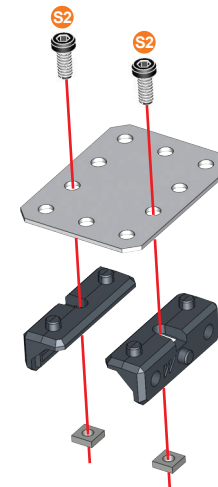
2

-  S1 | 5.8 mm | x1
15/64"
-  S3 | 12 mm | x2
1/2"
-  x3
-  x1
-  x1
-  x1
-  x1



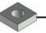







3

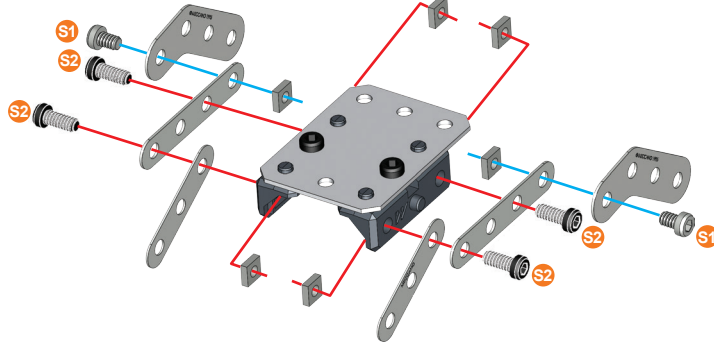
-  S2 | 9.5 mm | x2
3/8"
-  x2
-  x2
-  x1







4

-  S1 | 5.8 mm | 15/64" | x2
-  S2 | 9.5 mm | 3/8" | x4
-  x6
-  x2
-  x2
-  x2

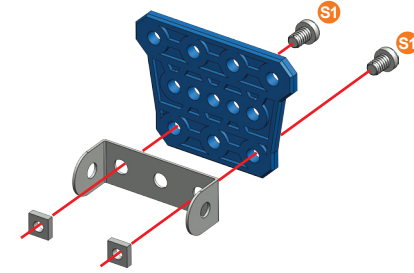
-  S1
-  S2
- 1:1



5


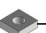

-  S1 | 5.8 mm | 15/64" | x2
-  x2
-  x1
-  x1

-  S1
- 1:1

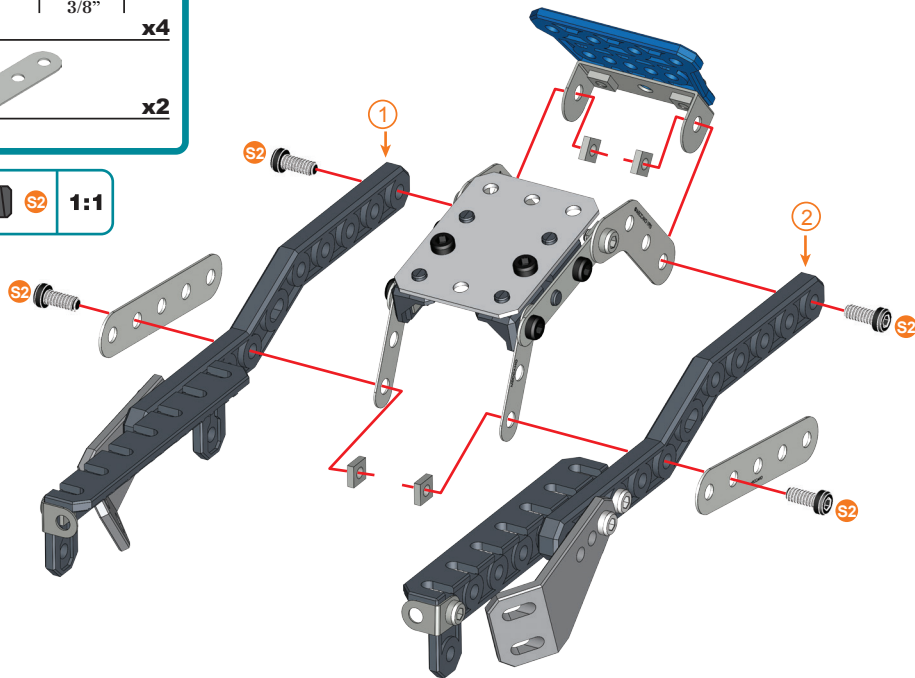


6




①+②+④+⑤+

-  S2 | 9.5 mm | 3/8" | x4
-  x4
-  x2

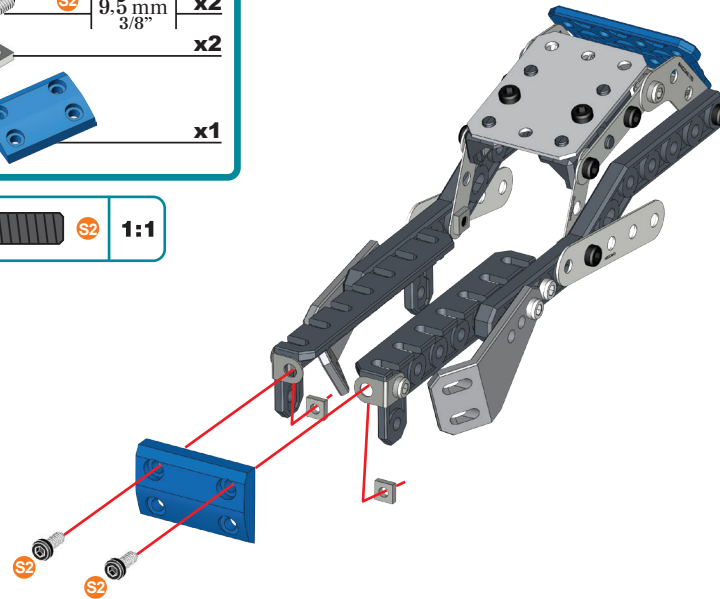
-  S2
- 1:1



7

-  S2 | 9.5 mm | 3/8" | x2
-  x2
-  x1

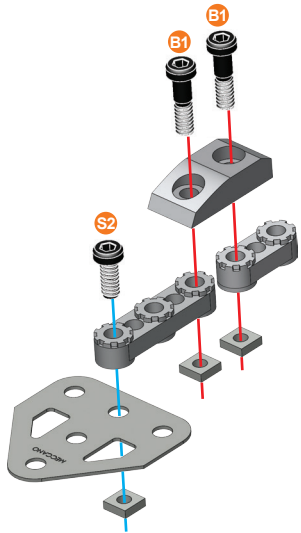
-  S2
- 1:1



8

- S2 | 9.5 mm | x1
3/8"
- B1 | 14.7 mm | x2
37/64"
- x3
- x1
- x1
- x1
- x1

- B1 | 1:1
- S2 | 1:1

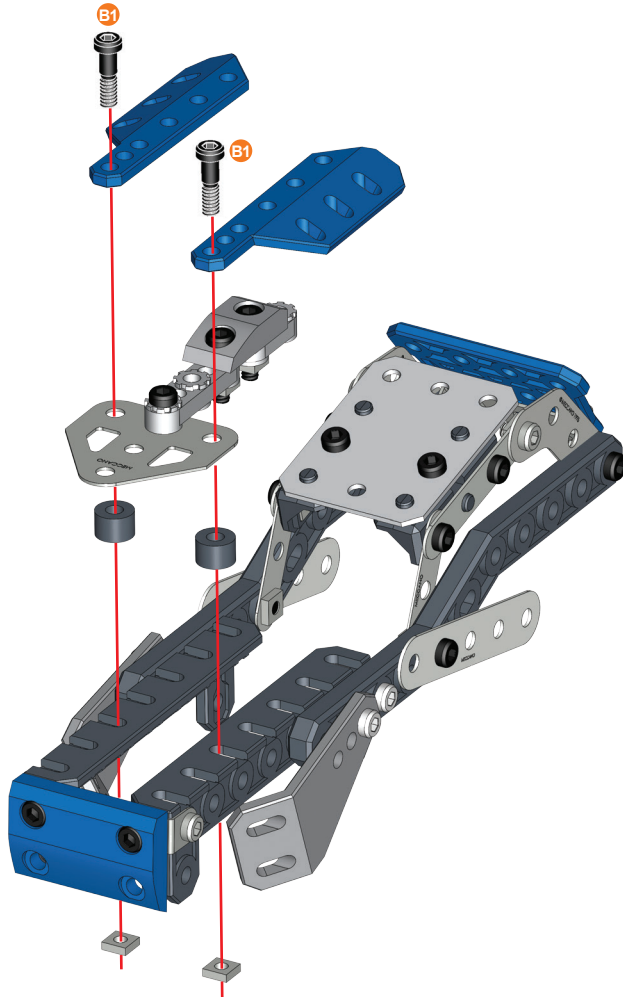


9

(7)+(8)+

- B1 | 14.7 mm | x2
37/64"
- x2
- x2
- x2
- x1
- x1

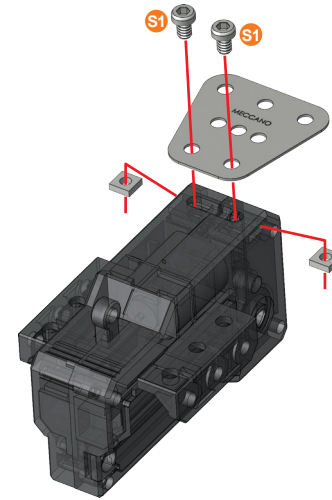
- B1 | 1:1
- A238 | 1:1



10

- S1 | 5.8 mm | x2
15/64"
- x2
- x1

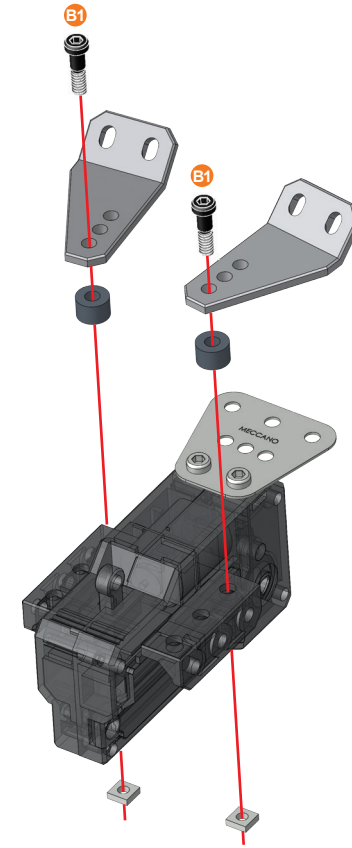
- S1 | 1:1



11

- B1 | 14.7 mm | x2
37/64"
- x2
- x2
- x1
- x1

- B1 | 1:1
- A238 | 1:1

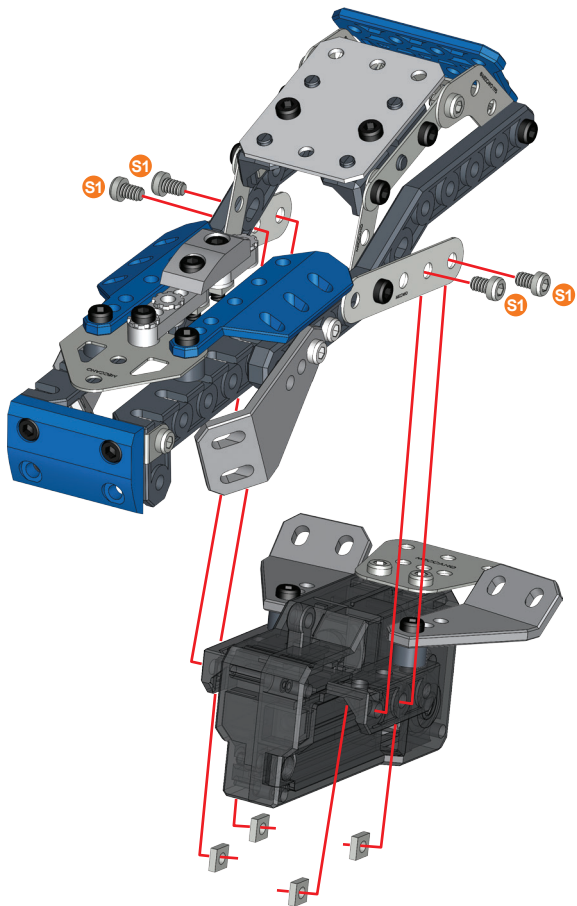


12

⑨+⑪+

S1 5.8 mm | x4
15/64" | x4

S1 1:1



13

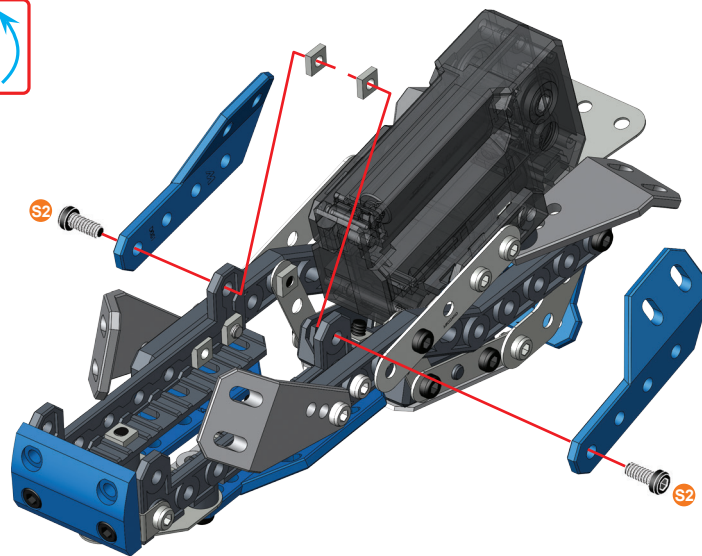
S2 9.5 mm | x2
3/8" | x2

x2

x1

x1

S2 1:1



14

x4

x4

x2


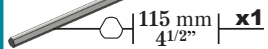


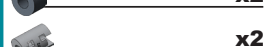


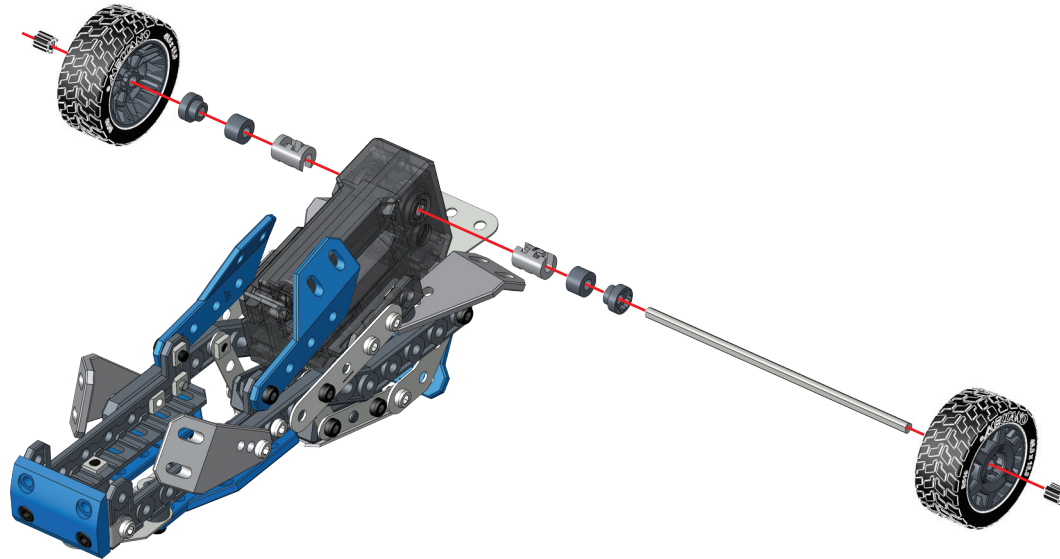
x2



15

13+14+

-  115 mm | $4\frac{1}{2}''$ | x1
-  x2
-  x2
-  x2
-  x2


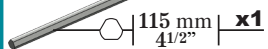



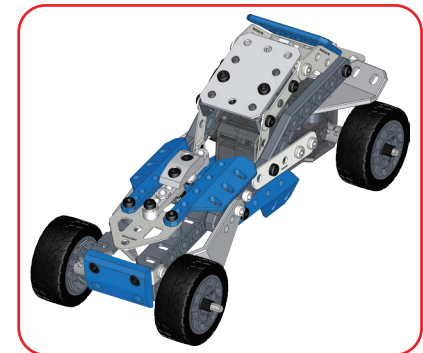
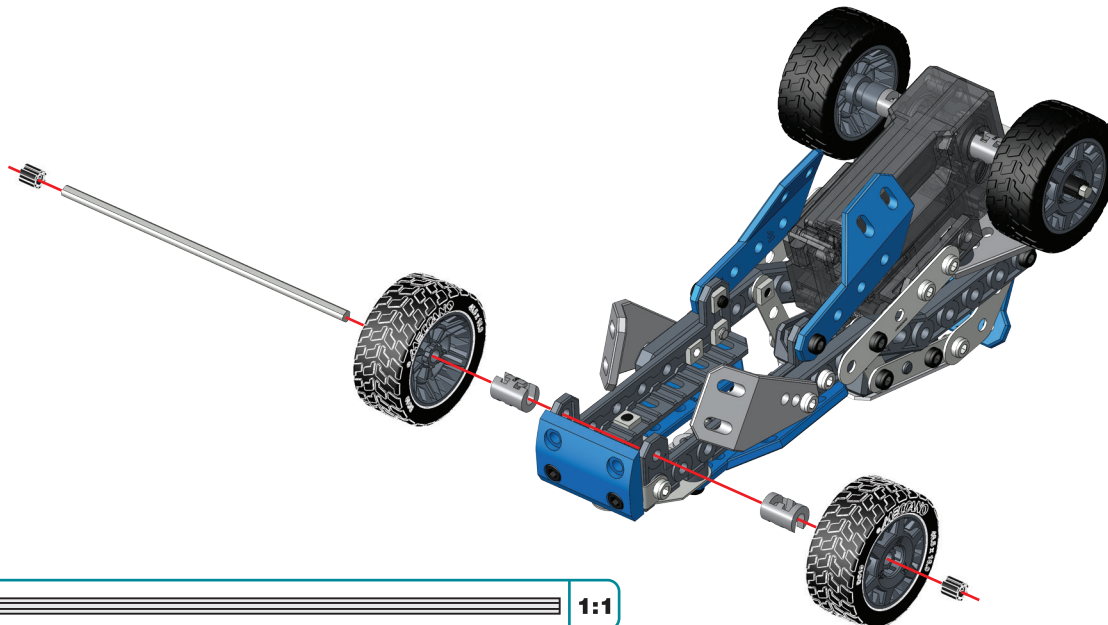
-  A238 1:1

-  1:1

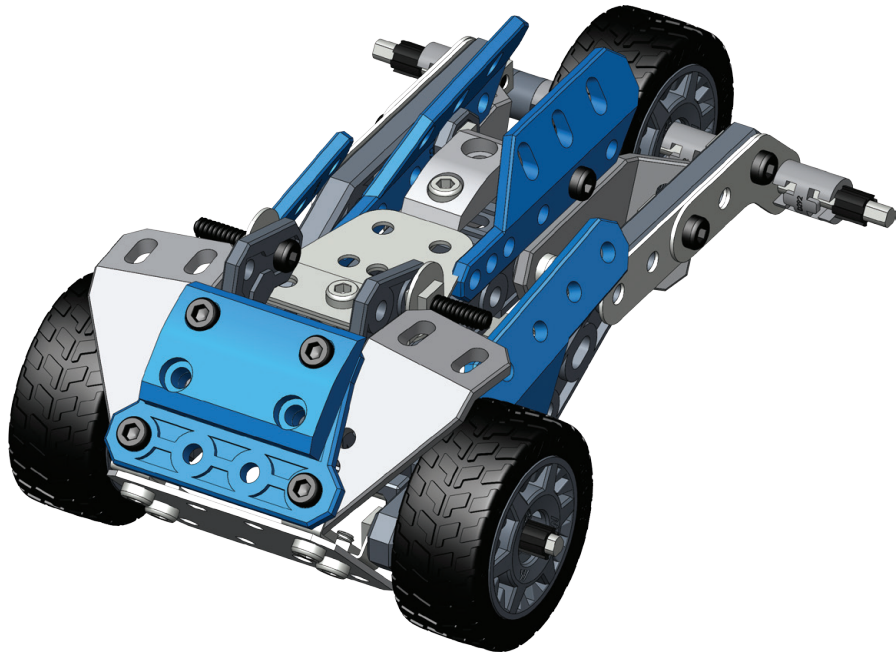
16

14+15+


-  115 mm | $4\frac{1}{2}''$ | x1
-  x2
-  x2




-  1:1

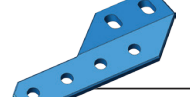


1

 B1 | 14.7 mm | x2
 37/64" | x2

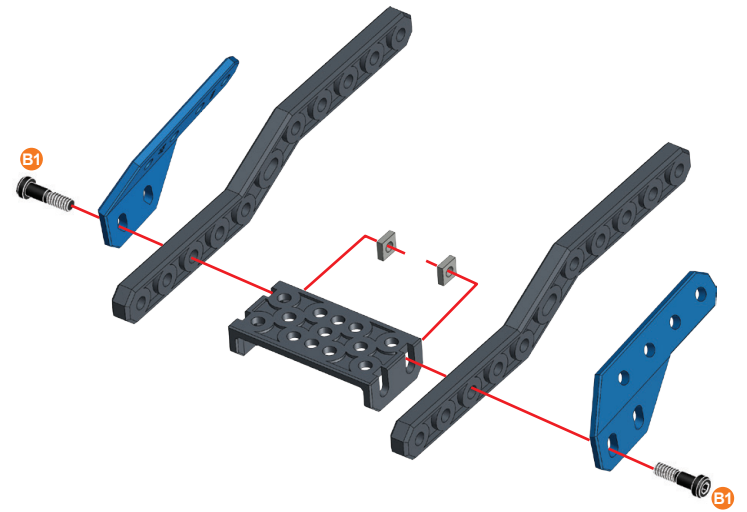
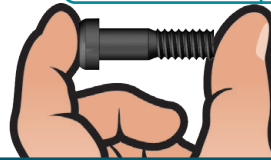
 x1

 x1


 x1

 x2

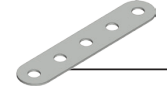
 B1 | 1:1



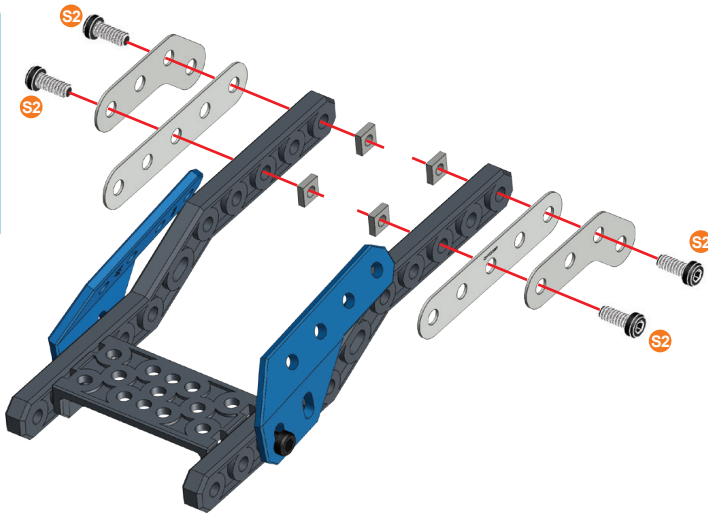
2

 S2 | 9.5 mm | x4
 3/8" | x4


 x2

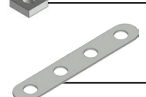
 x2

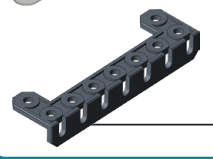
 S2 | 1:1



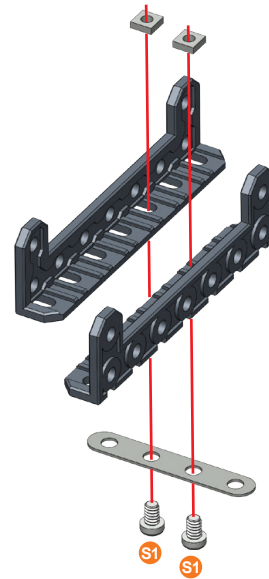
3

 S1 | 5.8 mm | x2
 15/64" | x2




 x1

 x2

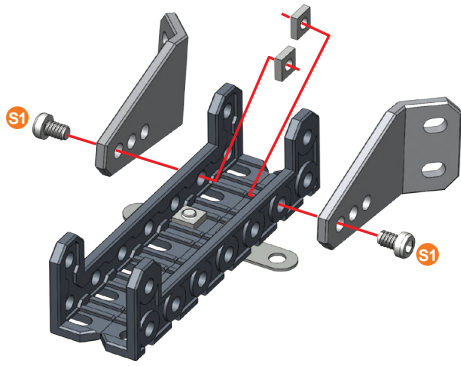
 S1 | 1:1





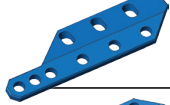

4

-  **S1** | 5.8 mm | **x2**
15/64"
-  **x2**
-  **x2**

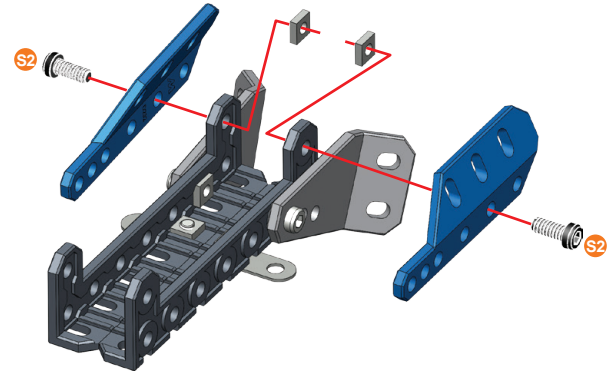
 **S1** | **1:1**







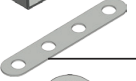

5

-  **S2** | 9.5 mm | **x2**
3/8"
-  **x2**
-  **x1**
-  **x1**

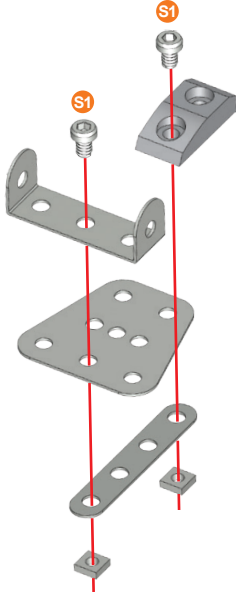
 **S2** | **1:1**






6

-  **S1** | 5.8 mm | **x2**
15/64"
-  **x2**
-  **x2**
-  **x1**
-  **x1**
-  **x1**

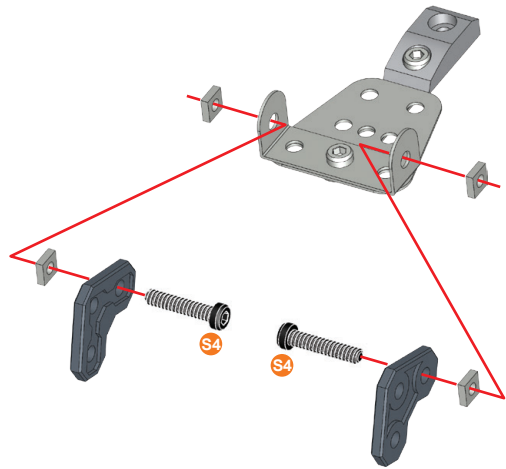
 **S1** | **1:1**



7



-  **S4** | 19 mm | **x2**
3/4"
-  **x4**
-  **x2**

 **S4** | **1:1**

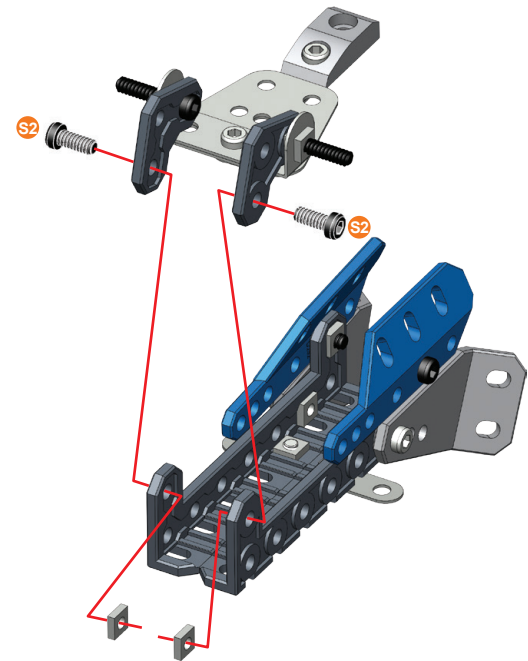


8



(5)+(7)+

-  **S2** | 9.5 mm | **x2**
3/8"
-  **x2**

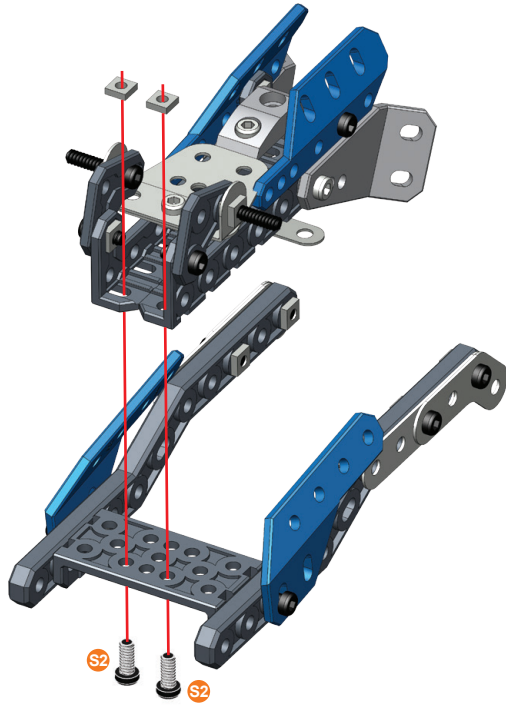
 **S2** | **1:1**





9**②+⑧+**

	9.5 mm 3/8"	x2
		x2


	1:1
--	------------


**10**

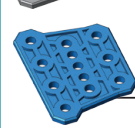
	9.5 mm 3/8"	x4
		x4

	x2
---	-----------

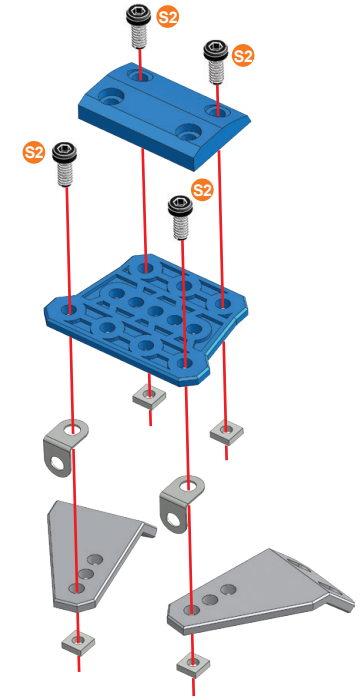
	x1
---	-----------


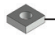
	x1
---	-----------

	x1
---	-----------

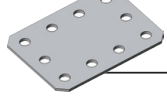
	x1
---	-----------

	1:1
---	------------

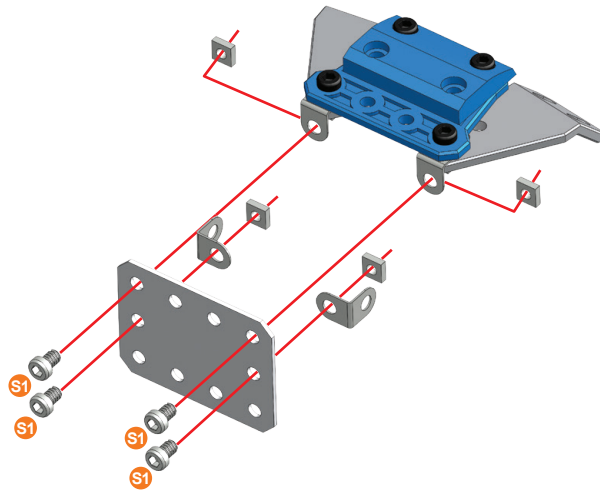
**11**



	5.8 mm 15/64"	x4
		x4

	x2
---	-----------

	x1
--	-----------

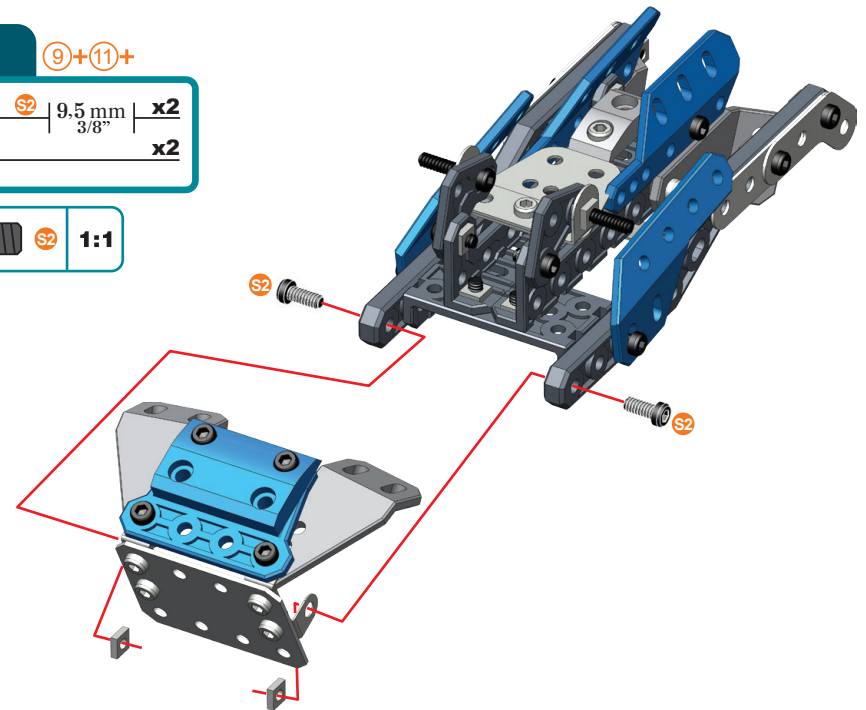
	1:1
--	------------

**12****⑨+⑪+**

	9.5 mm 3/8"	x2
		x2

	x2
--	-----------

	1:1
---	------------

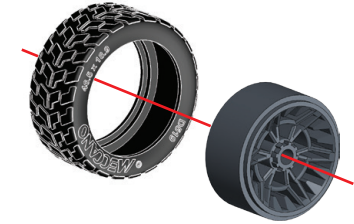


13

x3
x3

x1

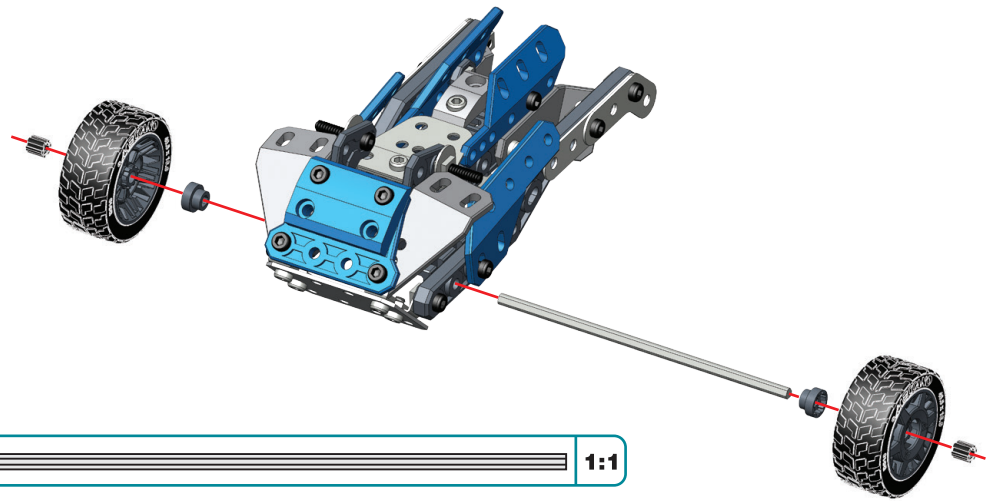
x2



14

(12)+(13)+

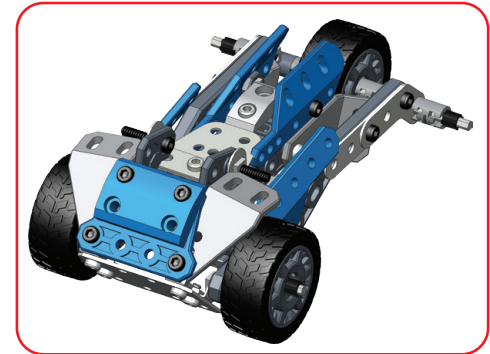
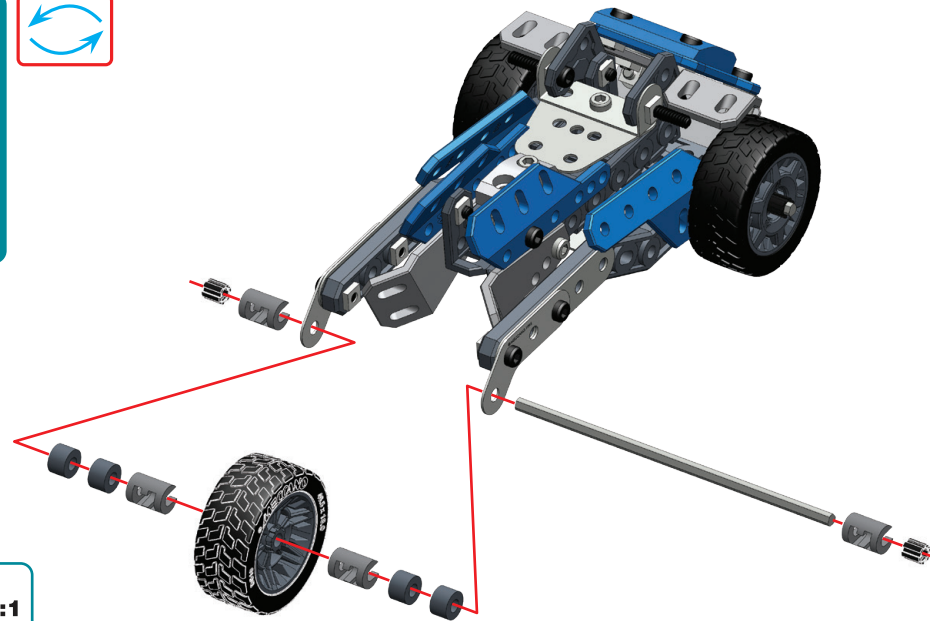
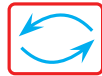
115 mm
4 1/2" x1
x2
x2



15

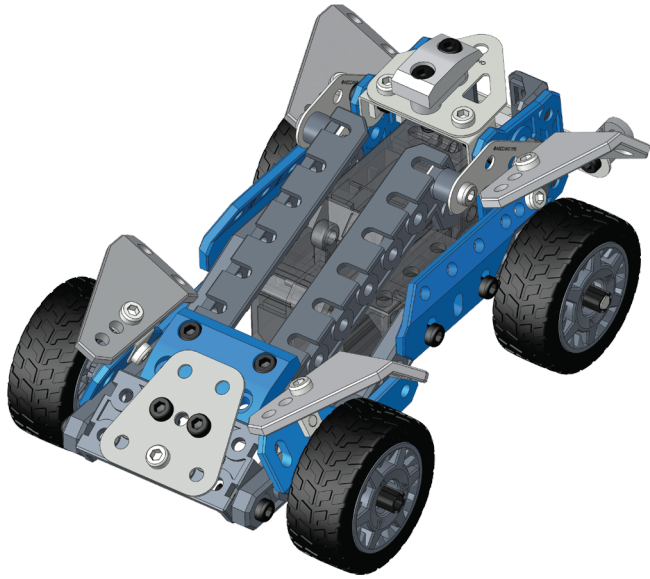
(13)+(14)+

115 mm
4 1/2" x1
x2
x4
x4



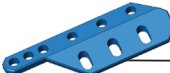
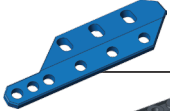



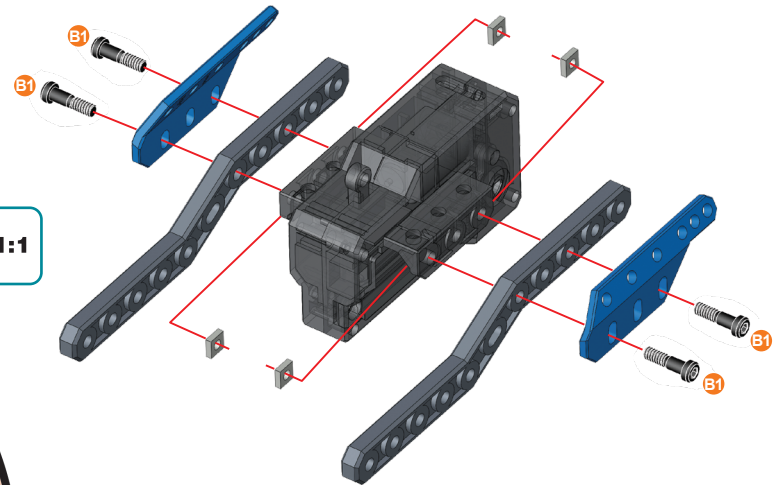
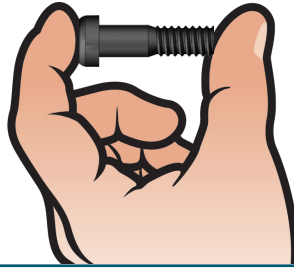
A238 1:1







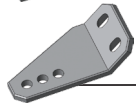


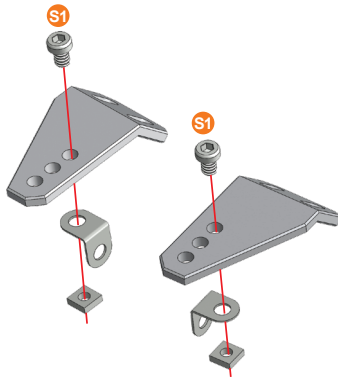
1

	B1 14.7 mm x4 37/64"
	x4
	x1
	x1
	x2





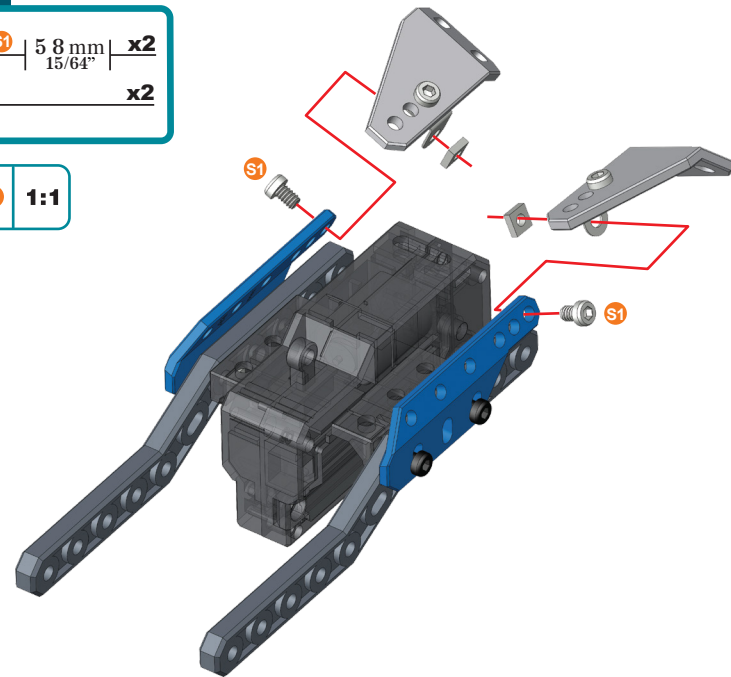
2

	S1 5.8 mm x2 15/64"
	x2
	x2
	x1
	x1



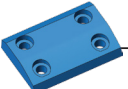
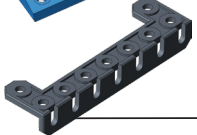


3 ①+②+

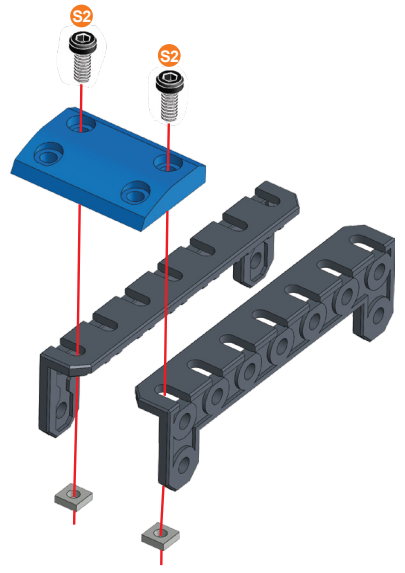
	S1 5.8 mm x2 15/64"
	x2






4

	S2	9.5 mm 3/8"	x2
			x2
			x1
			x2

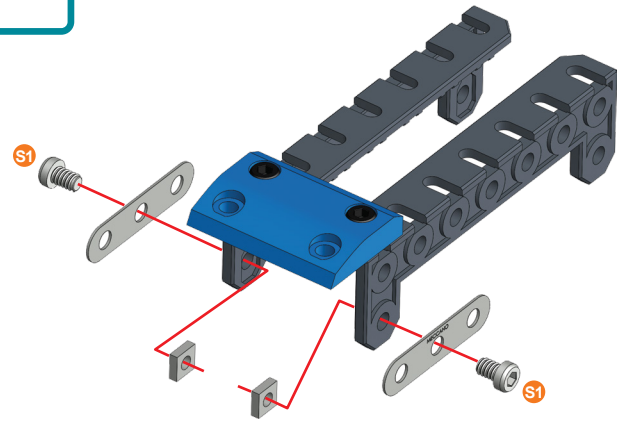
	S2	1:1
---	----	-----








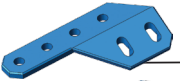
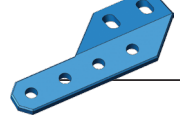
5

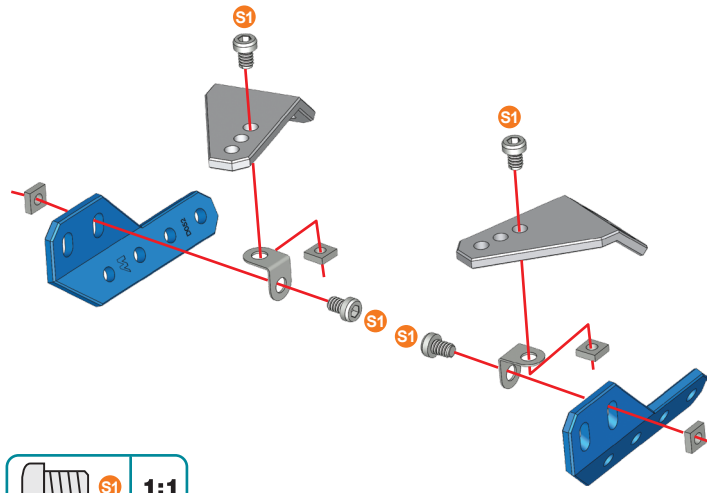
	S1	5.8 mm 15/64"	x2
			x2
			x2

	S1	1:1
---	----	-----



6




	S1	5.8 mm 15/64"	x4
			x4
			x2
			x1
			x1
			x1
			x1



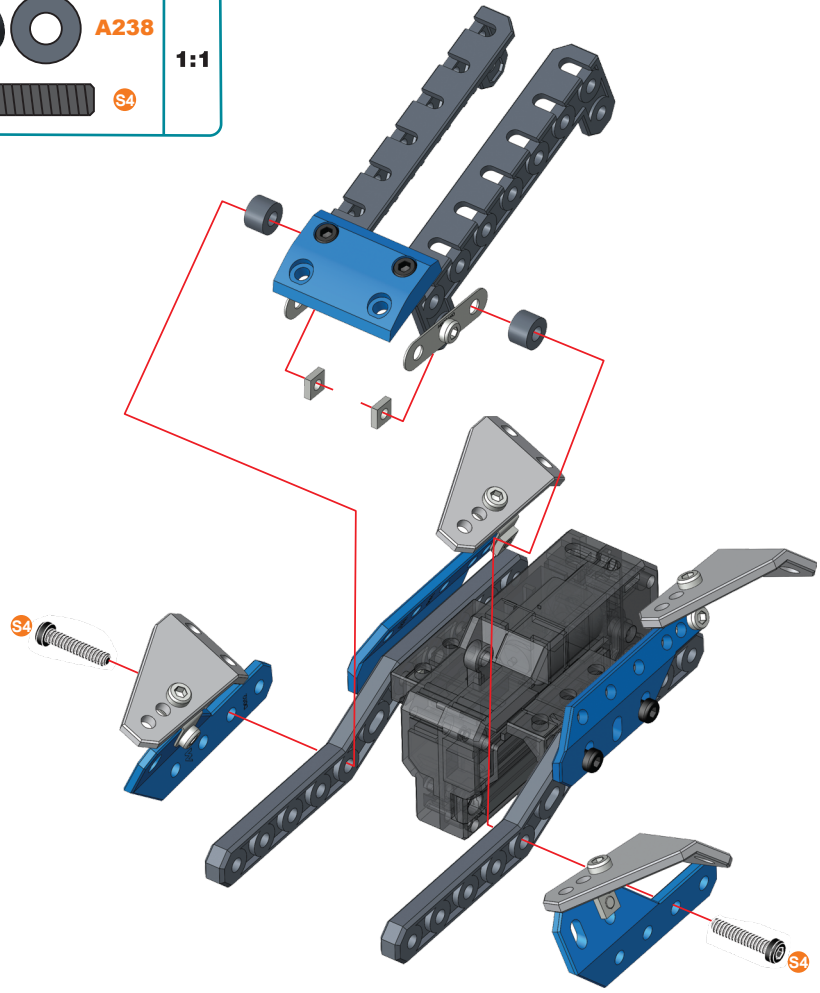
	S1	1:1
---	----	-----

7






③+⑤+⑥+

-  S4 | 19 mm | x2
3/4"
-  x2
-  x2

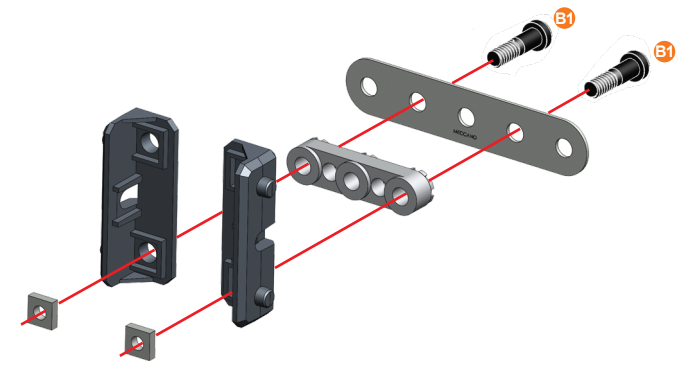
-   A238
-  S4
- 1:1






8

-  B1 | 14.7 mm | x2
37/64"
-  x2
-  x1
-  x2
-  x1

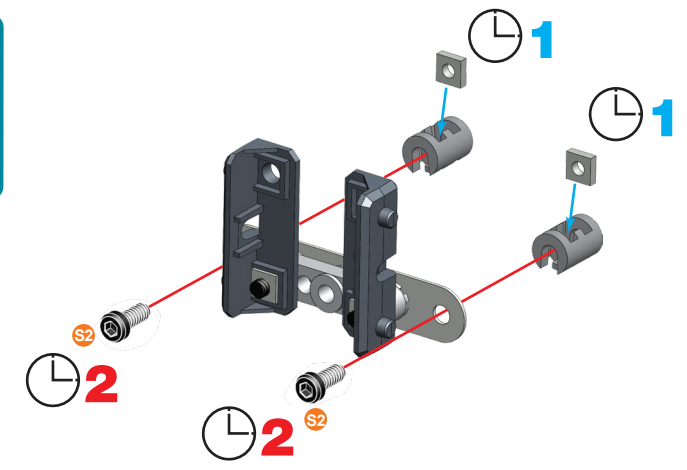
-  B1
- 1:1





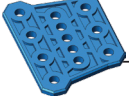
9

-  S2 | 9.5 mm | x2
3/8"
-  x2
-  x2

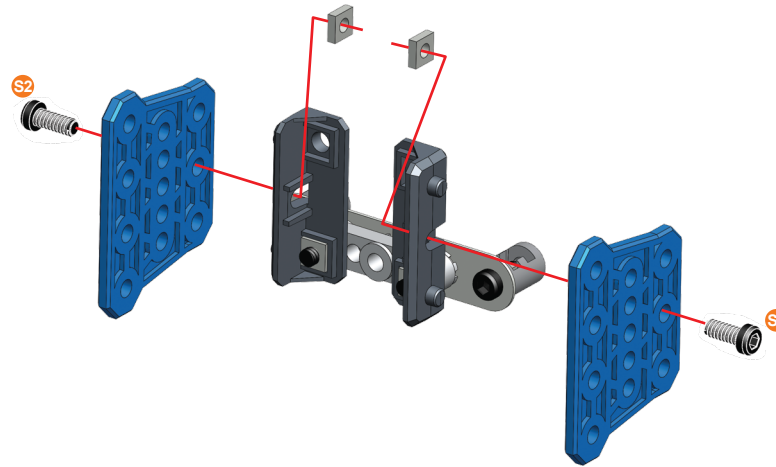
-  S2
- 1:1









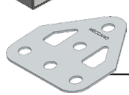
10



	9.5 mm 3/8"	x2
		x2
		x2

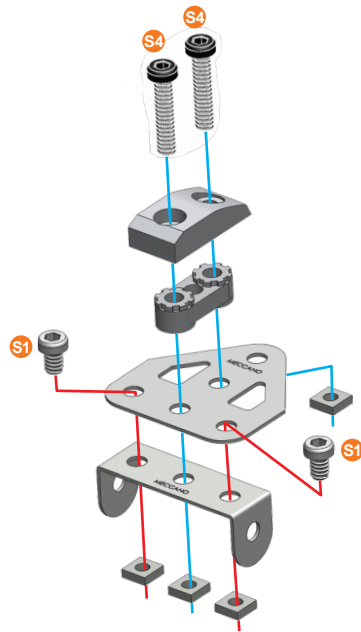
	1:1
---	-----





11

	5.8 mm 15/64"	x2
	19 mm 3/4"	x2
		x4
		x1
		x1
		x1
		x1

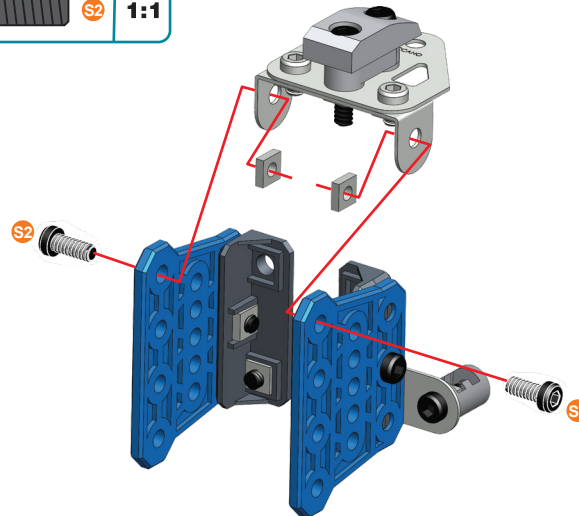
	1:1
	1:1



12 (10)+(11)+

	9.5 mm 3/8"	x2
		x2

	1:1
---	-----



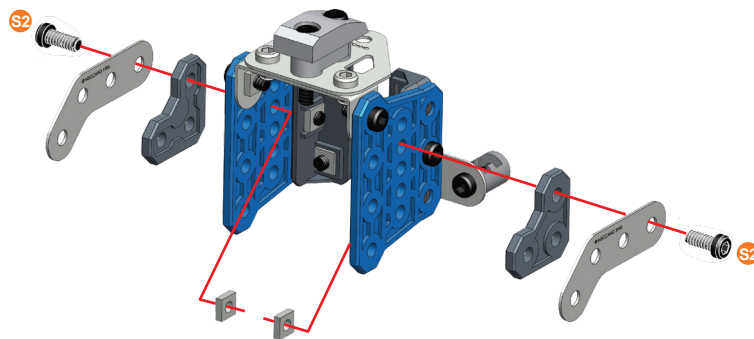
13



	S2	9.5 mm	x2
			x2


			x2
--	--	--	----


			x2
--	--	--	----


	S2	1:1
--	----	-----



**14**

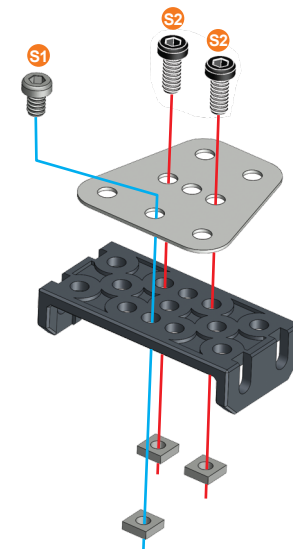
	S1	5.8 mm	x1
	S2	9.5 mm	x2

			x3
---	--	--	----

			x1
---	--	--	----

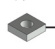
			x1
---	--	--	----

	S1	1:1
	S2	

**15**

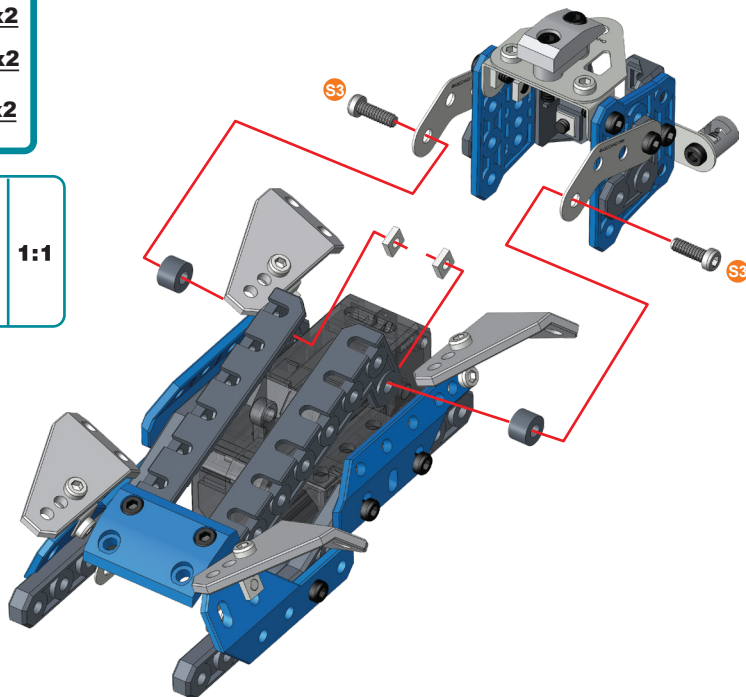
⑦+⑬+

	S3	12 mm	x2
			x2



			x2
--	--	--	----

			x2
--	--	--	----

	S3	1:1
	A238	

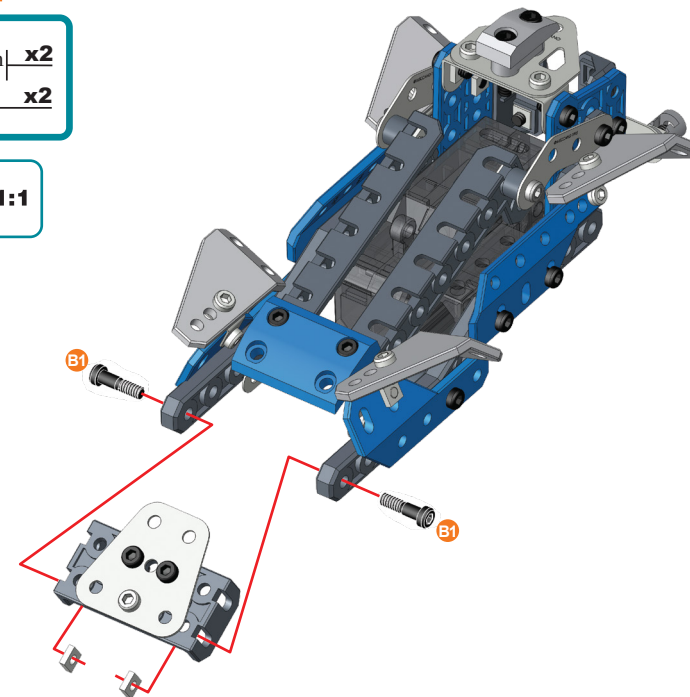
**16**

⑭+⑮+

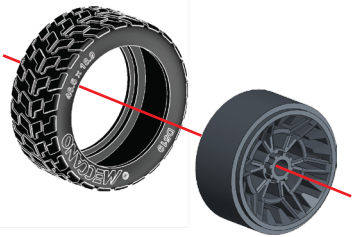
	B1	14.7 mm	x2
			x2

			x2
---	--	--	----

	B1	1:1
--	----	-----

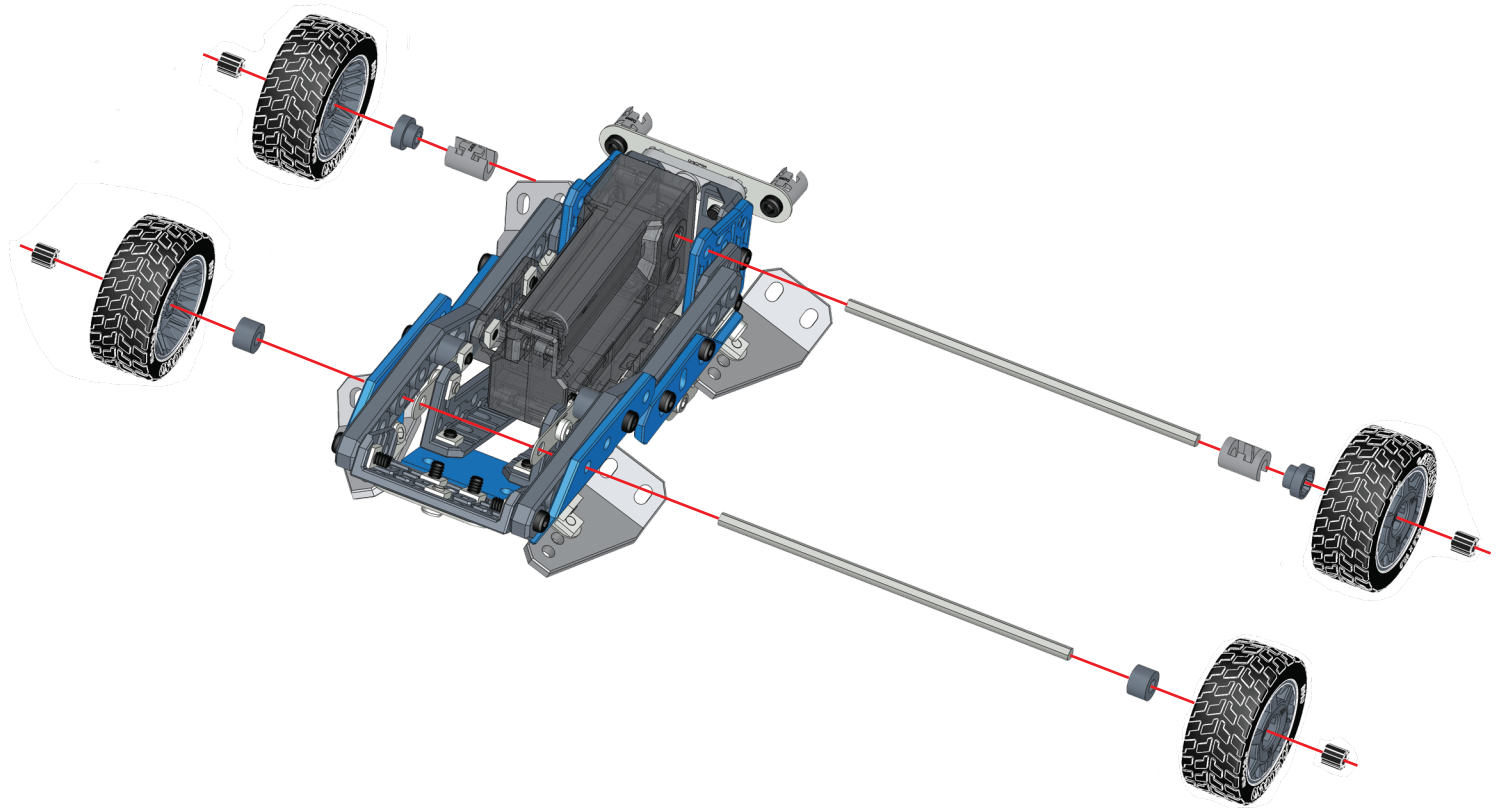
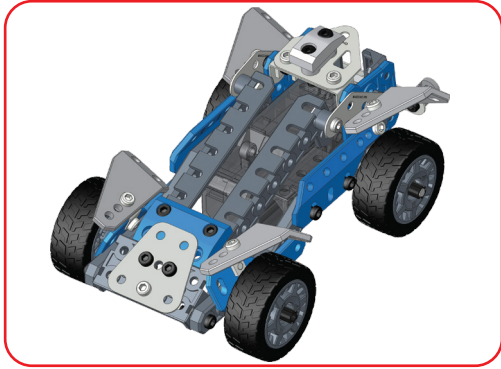
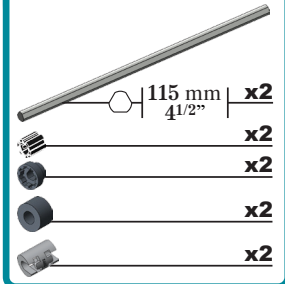


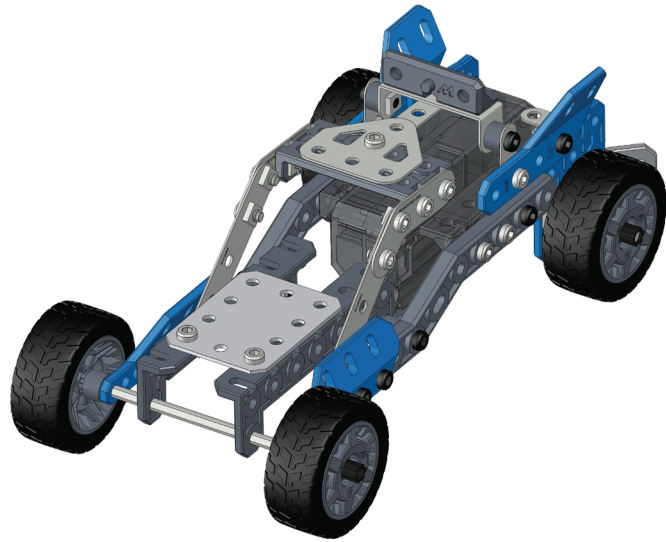
17







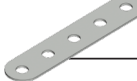
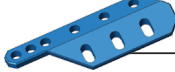

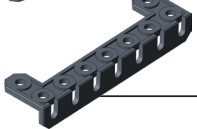
18

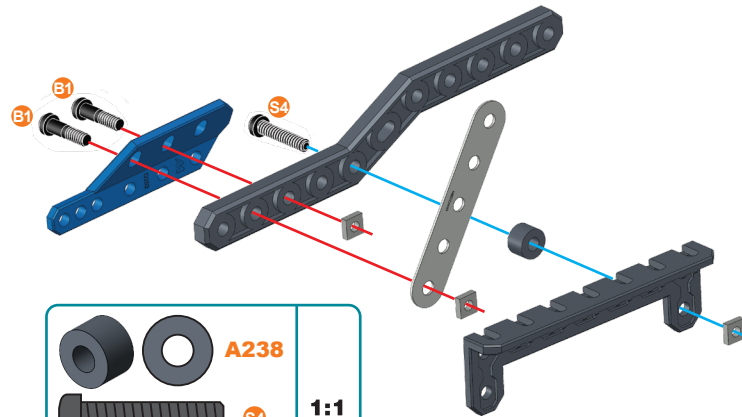
(16)+(17)+








1





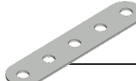
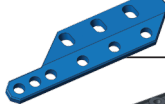

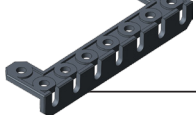
-  **B1** | 14.7 mm | **x2**
37/64"
-  **S4** | 19 mm | **x1**
3/4"
-  **x3**
-  **x1**
-  **x1**
-  **x1**
-  **x1**
-  **x1**






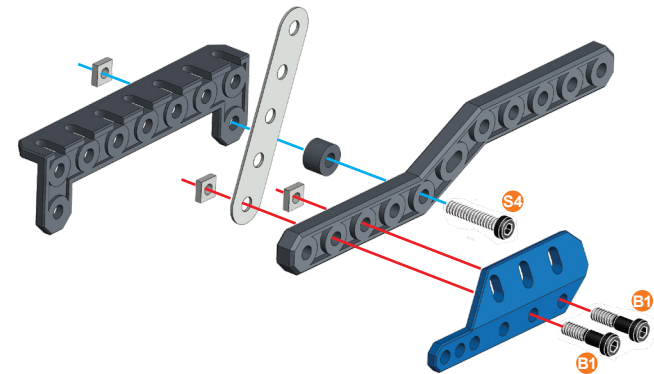
-  **A238**
-  **S4** | **1:1**
-  **B1**







2

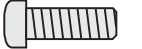

-  **B1** | 14.7 mm | **x2**
37/64"
-  **S4** | 19 mm | **x1**
3/4"
-  **x3**
-  **x1**
-  **x1**
-  **x1**
-  **x1**
-  **x1**

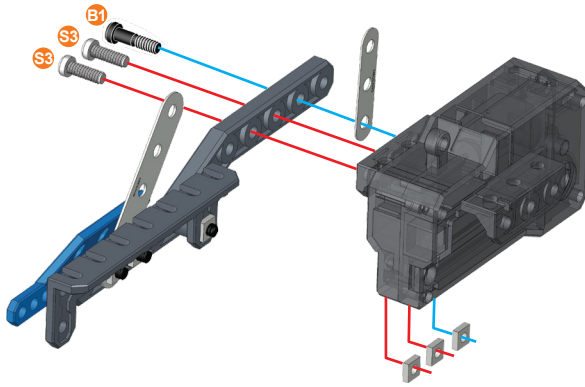
-  **A238**
-  **S4** | **1:1**
-  **B1**









3**①+**

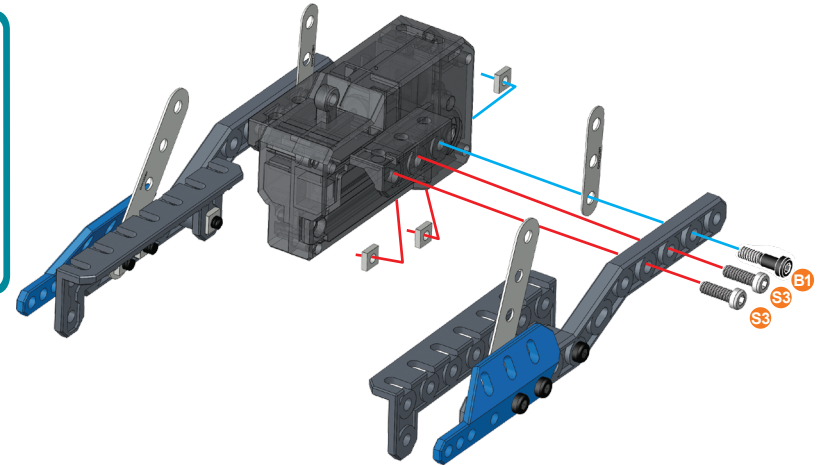
-  **B1** | 14.7 mm | **x1**
37/64"
-  **S3** | 12 mm | **x2**
1/2"
-  **x3**
-  **x1**





- | | | |
|--|-----------|------------|
|  | S3 | 1:1 |
|  | B1 | |

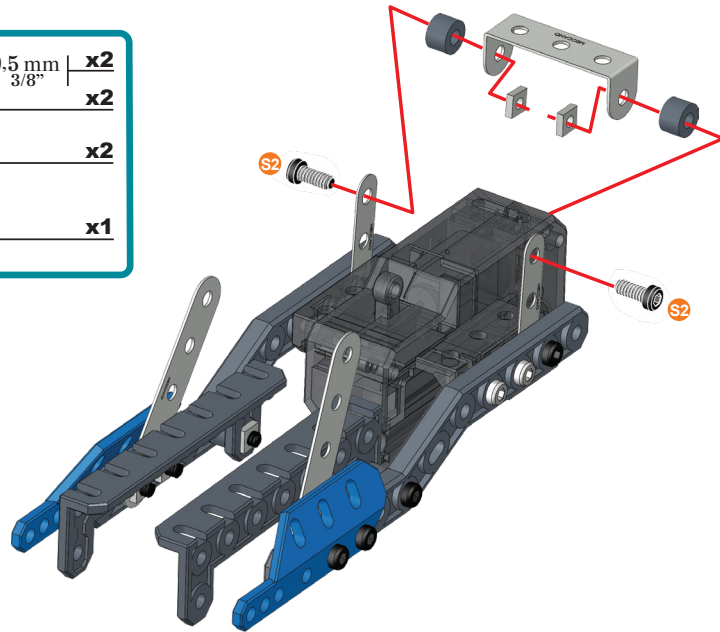
**4****②+③+**


-  **B1** | 14.7 mm | **x1**
37/64"
-  **S3** | 12 mm | **x2**
1/2"
-  **x3**
-  **x1**

- | | | |
|---|-----------|------------|
|  | S3 | 1:1 |
|  | B1 | |






**5**

-  **S2** | 9.5 mm | **x2**
3/8"
-  **x2**
-  **x2**
-  **x1**

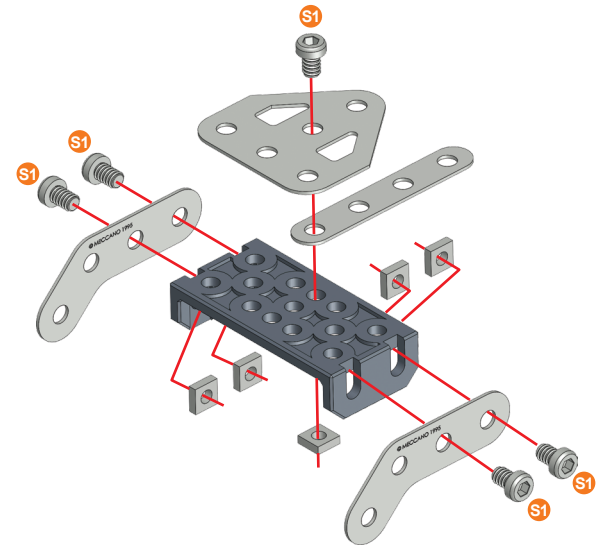


- | | | |
|--|-------------|------------|
|  | S2 | 1:1 |
|  | A238 | |

6

-  **S1** | 5.8 mm | **x5**
15/64"
-  **x2**
-  **x1**
-  **x1**
-  **x1**

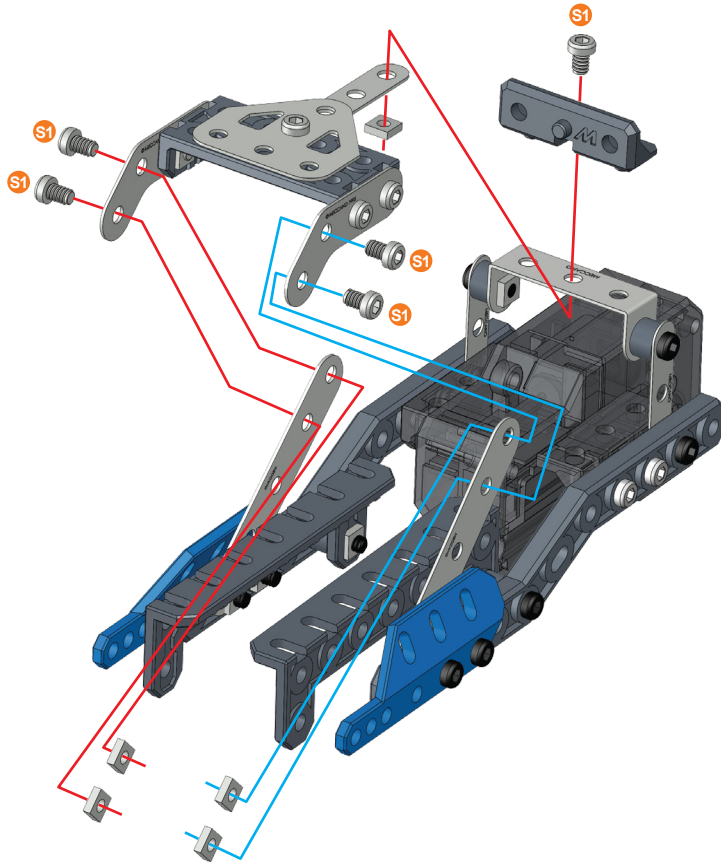
- | | | |
|---|-----------|------------|
|  | S1 | 1:1 |
|---|-----------|------------|






7**(5)+(6)+**

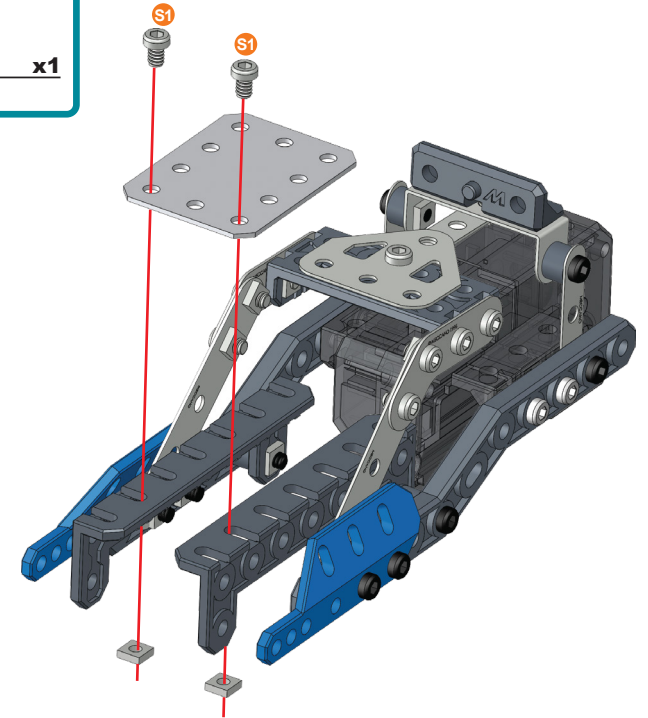
	S1 5.8 mm x5 15/64"
	x5
	x1




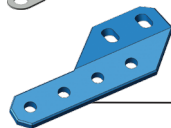

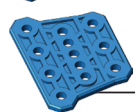
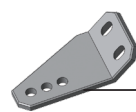
	S1 1:1
--	------------------------



**8**

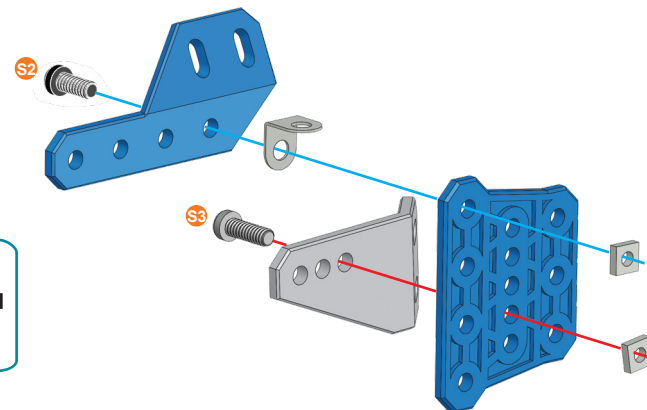
	S1 5.8 mm x2 15/64"
	x2
	x1

	S1 1:1
---	------------------------






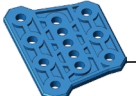

**9**



	S2 9.5 mm x1 3/8"		x1
	S3 12 mm x1 1/2"		x1
	x2		x1
	x1		

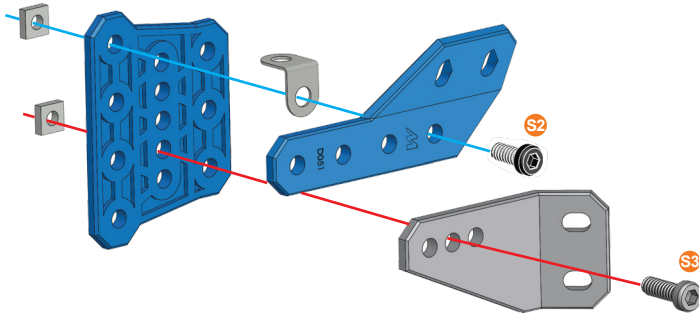
	S2	1:1
	S3	



10

-  **S2** | 9.5 mm | $\frac{3}{8}$ " | **x1**
-  **S3** | 12 mm | $\frac{1}{2}$ " | **x1**
-  **x2**
-  **x1**
-  **x1**
-  **x1**
-  **x1**

- | | | |
|--|-----------|------------|
|  | S2 | 1:1 |
|  | S3 | |



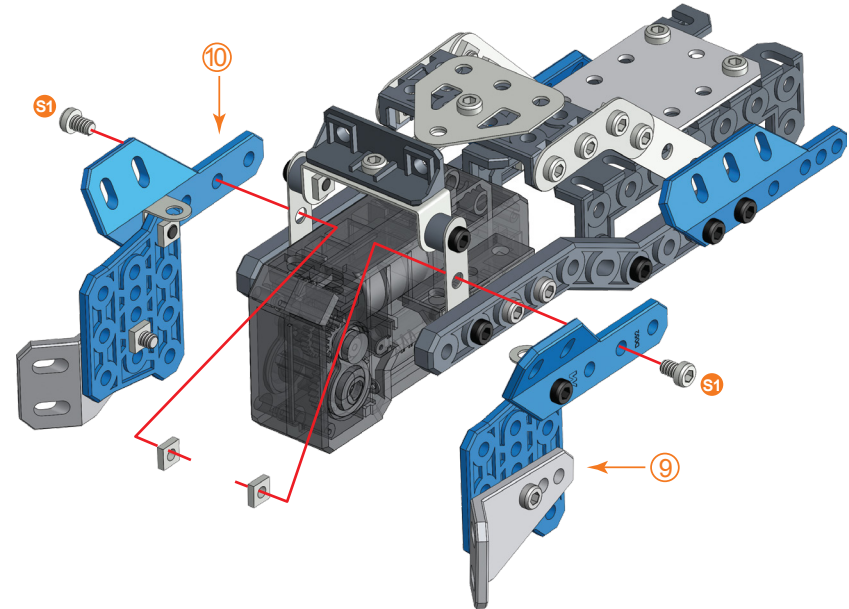
11

⑧+⑨+⑩+

-  **S1** | 5.8 mm | **x2**
-  **x2**



- | | | |
|---|-----------|------------|
|  | S1 | 1:1 |
|---|-----------|------------|




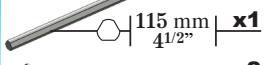
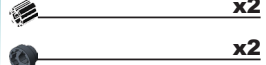
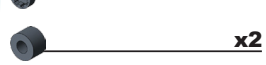
12

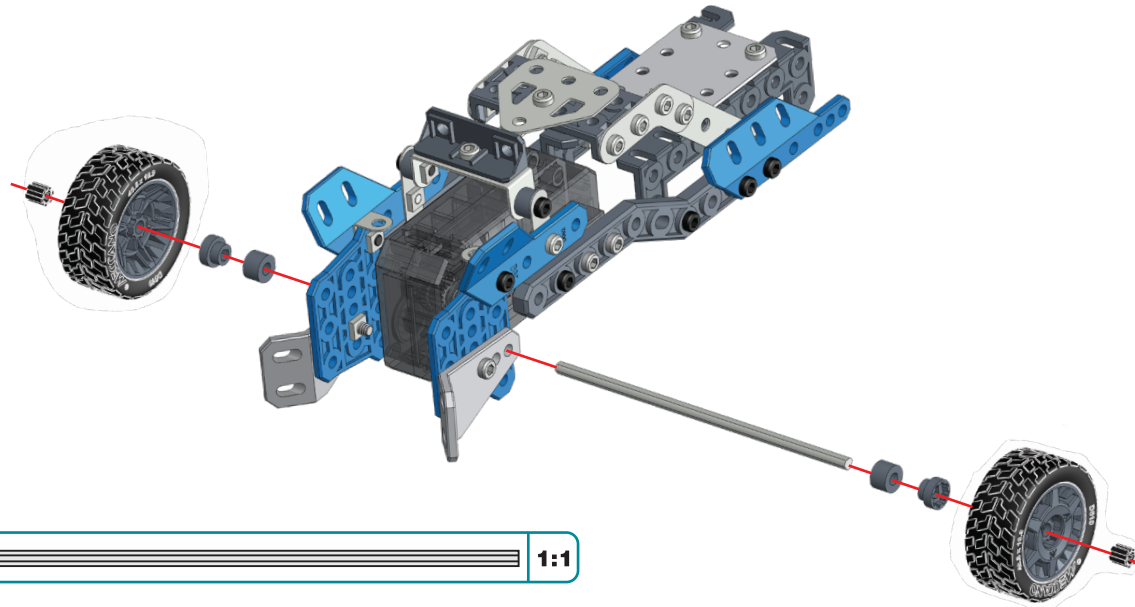
- | | |
|---|-----------|
|  | x4 |
|  | x4 |



13

11+12+

-  115 mm | 4 1/2" | x1
-  x2
-  x2
-  x2


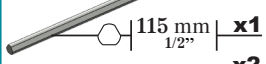
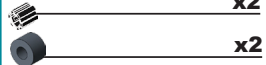


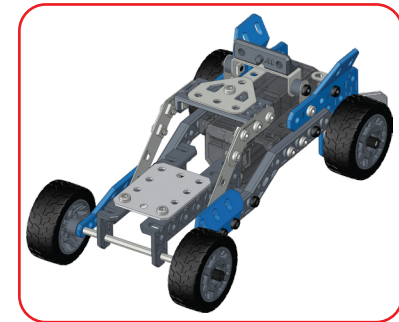
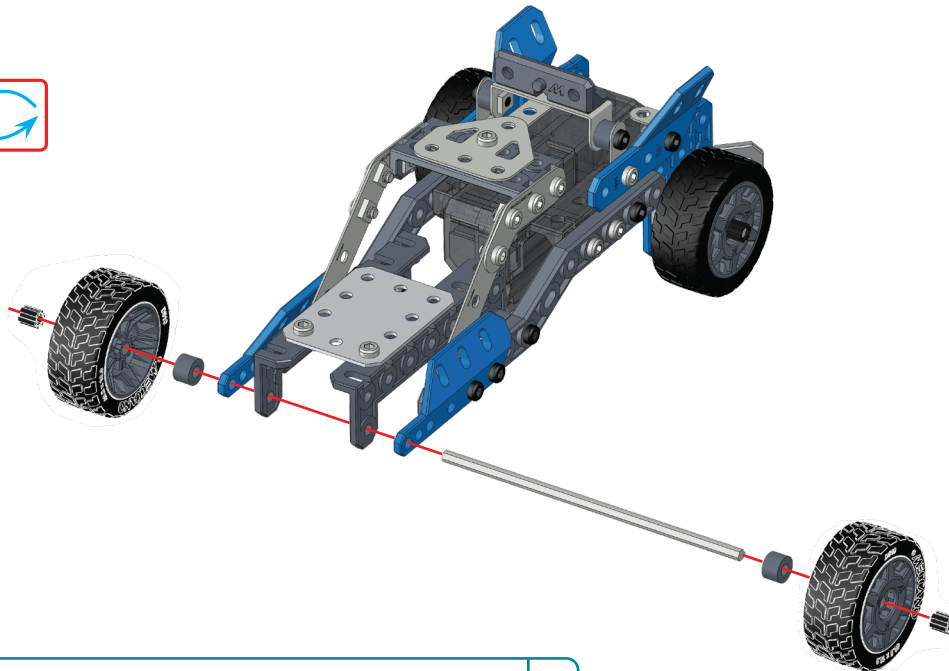
-  A238 1:1

-  1:1

14

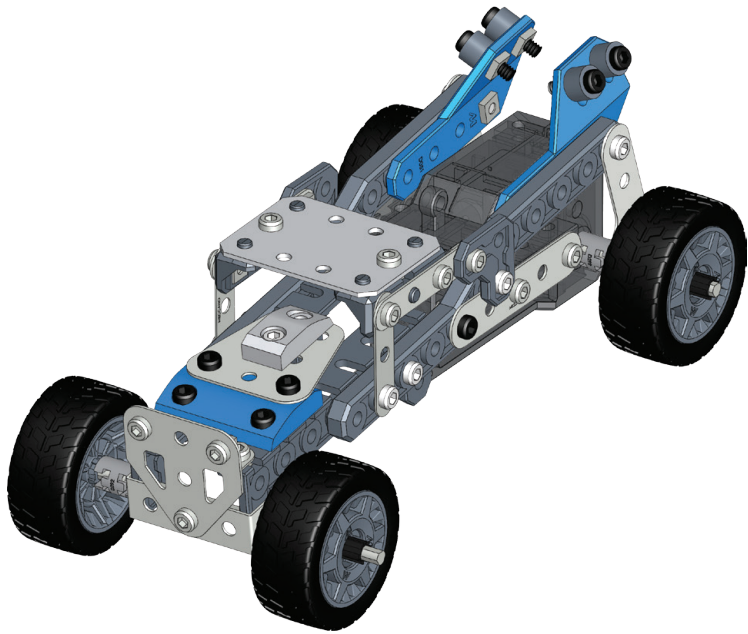
12+13+

-  115 mm | 1/2" | x1
-  x2
-  x2



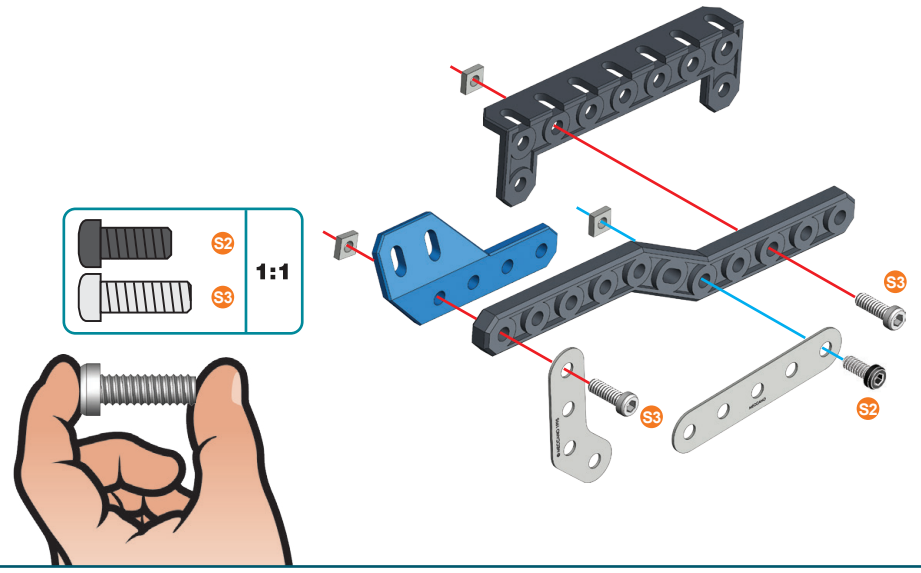
-  A238 1:1

-  1:1



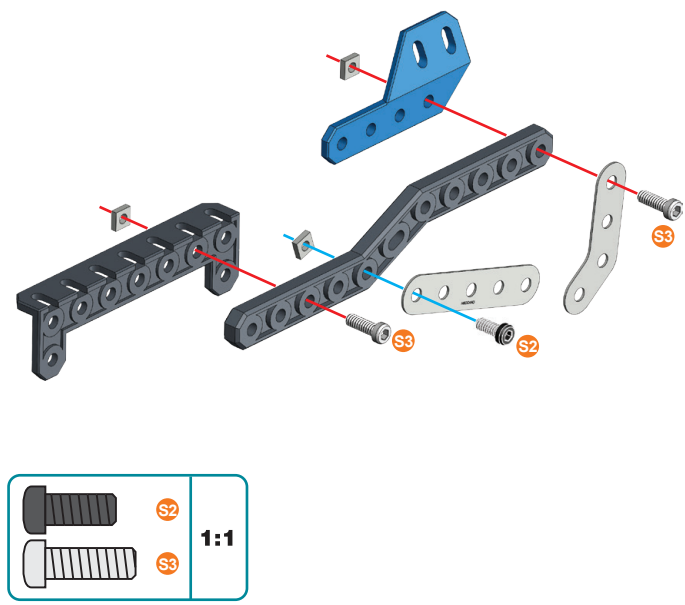
1

	9.5 mm 3/8"	x1
	12 mm 1/2"	x2
		x3
		x1
		x1
		x1
		x1
		x2



2

	9.5 mm 3/8"	x1
	12 mm 1/2"	x2
		x3
		x1
		x1
		x1
		x1
		x2

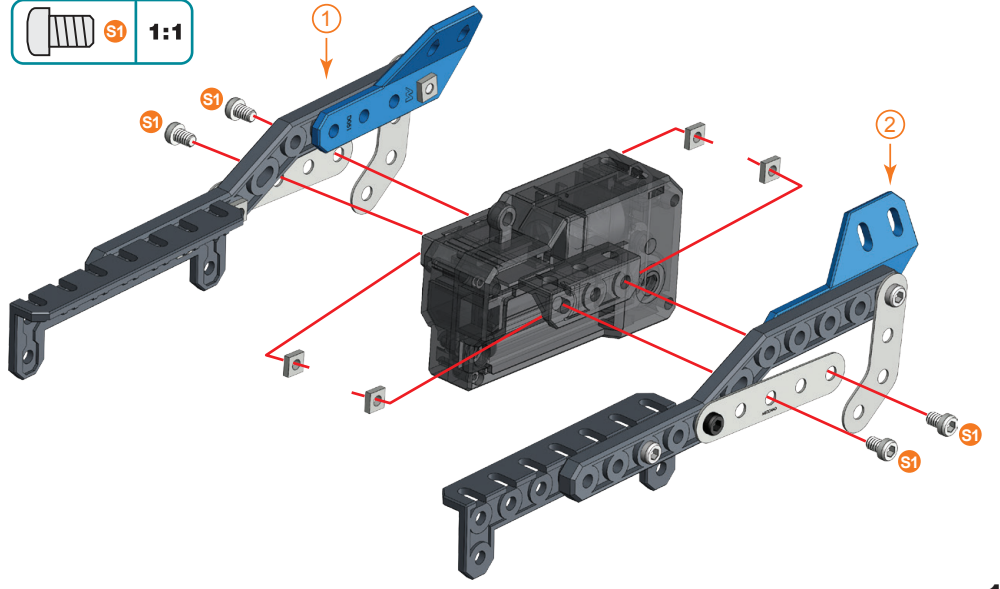


3

①+②+

	5.8 mm 15/64"	x4
		x4

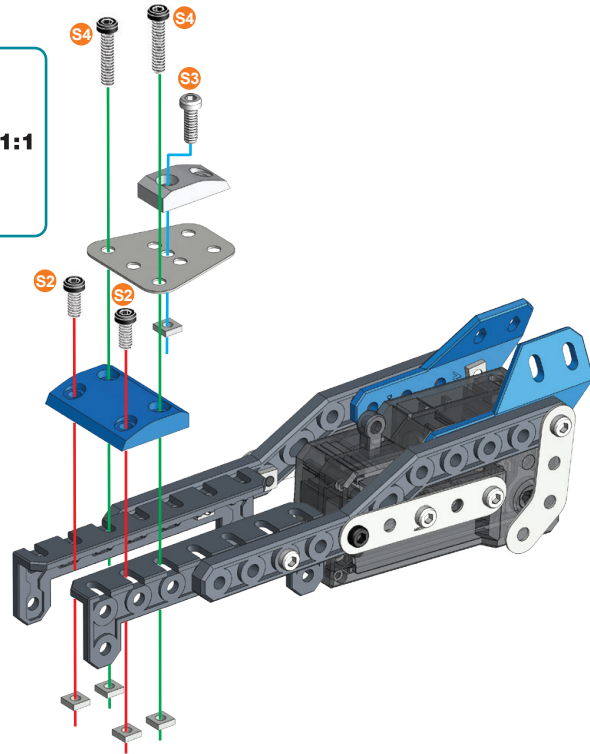
1:1



4

- S2 | 9.5 mm | x2
3/8"
- S3 | 12 mm | x1
1/2"
- S4 | 19 mm | x2
3/4"
- x5
- x1
- x1
- x1

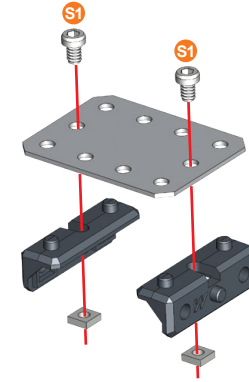
- S2
 - S3
 - S4
- 1:1



5

- S1 | 5.8 mm | x2
15/64"
- x2
- x2
- x1

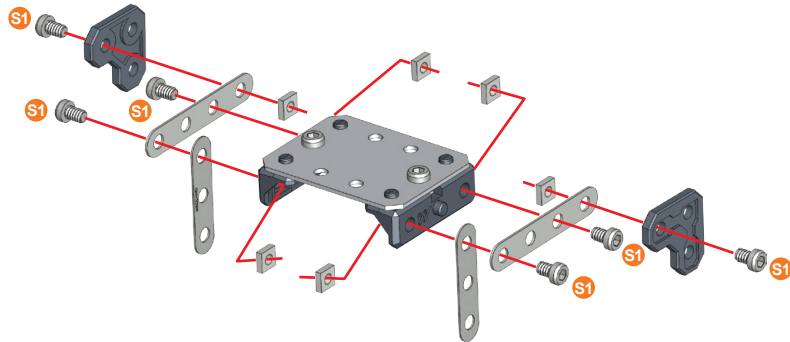
- S1
- 1:1



6

- S1 | 5.8 mm | x6
15/64"
- x6
- x2
- x2
- x2

- S1
- 1:1

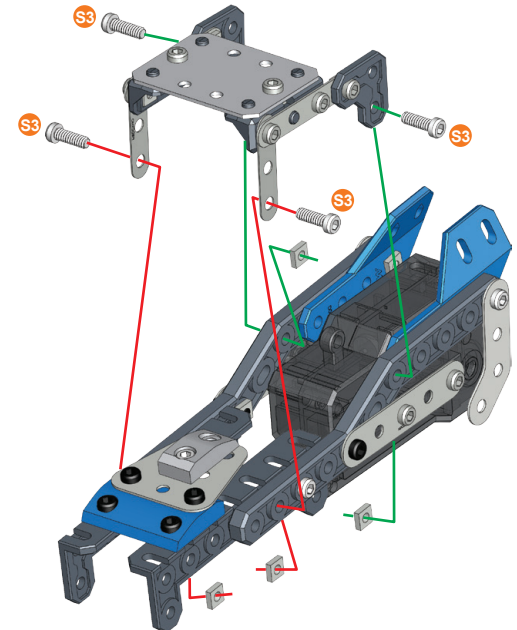


7

(4)+(6)+

- S3 | 12 mm | x4
1/2"
- x4

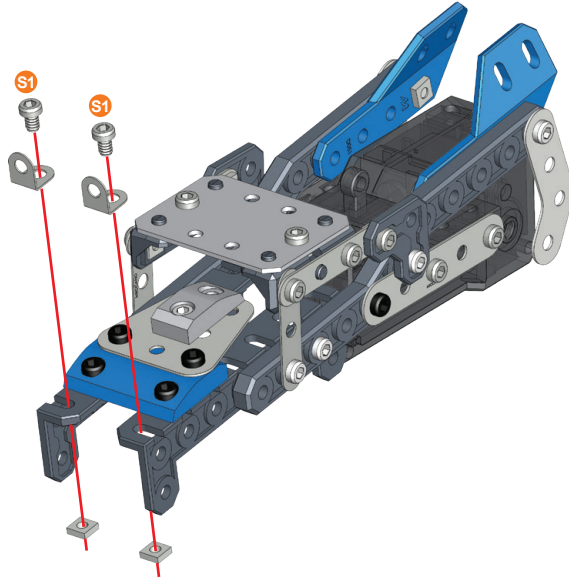
- S3
- 1:1



8

- S1 | 5.8 mm | 15/64" | x2
- S1 | x2
- S1 | x2

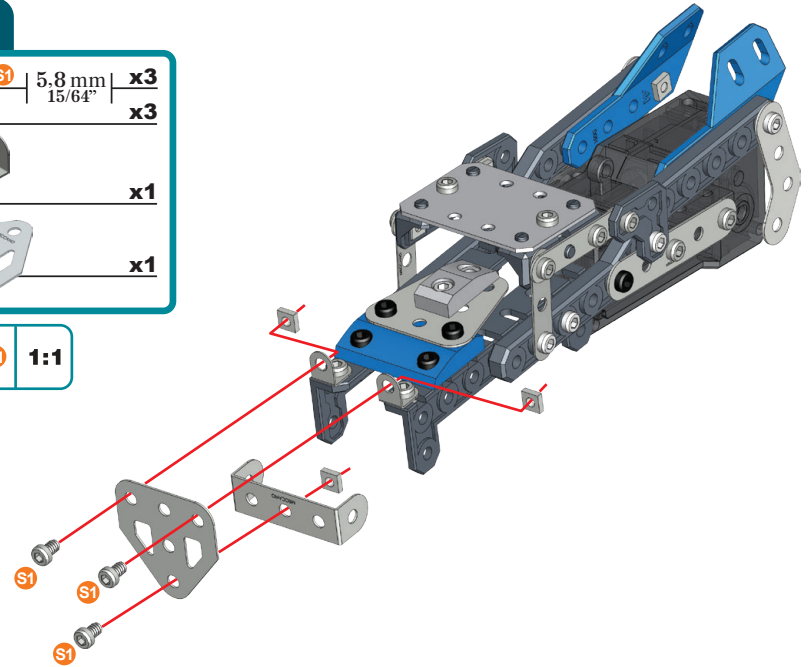
- S1 | 1:1



9

- S1 | 5.8 mm | 15/64" | x3
- S1 | x3
- S1 | x1
- S1 | x1

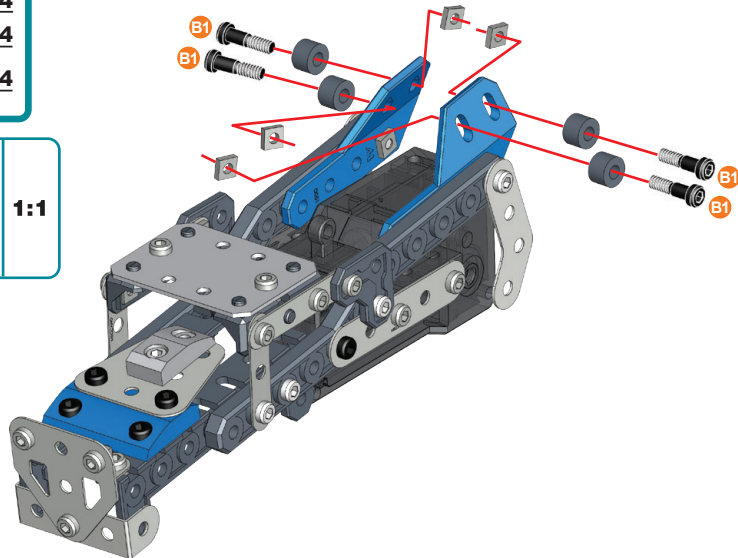
- S1 | 1:1



10

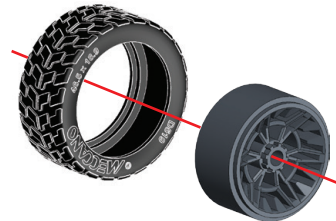
- B1 | 14.7 mm | 37/64" | x4
- B1 | x4
- B1 | x4

- B1 | 1:1
- A238




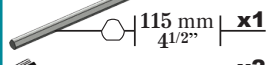
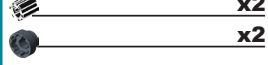
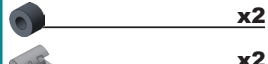

11

- x4
- x4



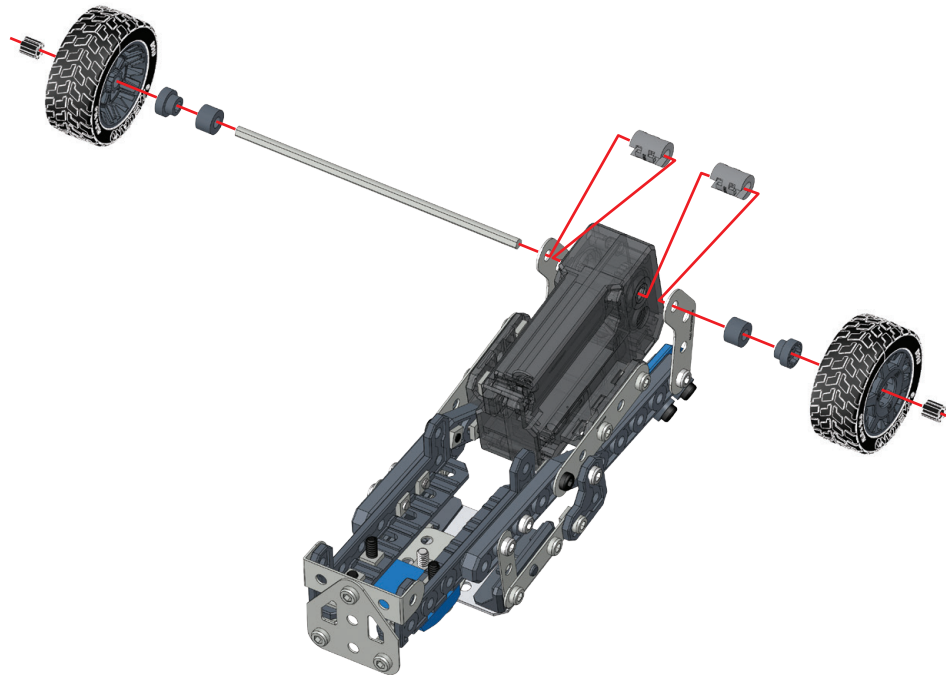
12

10+11+

-  115 mm | 4 1/2" | x1
-  x2
-  x2
-  x2
-  x2


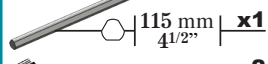
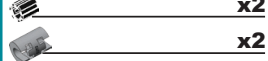


-  A238 1:1



13

11+12+

-  115 mm | 4 1/2" | x1
-  x2
-  x2

