

anko

Microwave Oven with Grill and Convection
Oven
D90N30ESLRIII-B1A
User Manual



**PLEASE READ AND SAVE THESE
INSTRUCTIONS FOR FUTURE REFERENCE**

PRECAUTIONS TO AVOID POSSIBLE EXPOSURE TO EXCESSIVE MICROWAVE ENERGY

1. Do not attempt to operate this oven with the door open since open door operation can result in harmful exposure to microwave energy. It is important not to defeat or tamper with the safety interlocks.
2. Do not place any object between the oven front face and the door or allow soil or cleaner residue to accumulate on sealing surfaces.
3. Do not operate the oven if it is damaged. It is particularly important that the oven door close properly and that there is no damage to the
 - a. Door (bent),
 - b. Hinges and latches (broken or loosened),
 - c. Door seals and sealing surfaces.
4. The oven should not be adjusted or repaired by anyone except properly qualified service personnel.

CONTENTS

PRECAUTIONS TO AVOID POSSIBLE EXPOSURE TO EXCESSIVE MICROWAVE ENERGY	1
IMPORTANT SAFETY INSTRUCTIONS	2
SPECIFICATIONS	4
BEFORE YOU CALL FOR SERVICE	4
INSTALLATION	4
RADIO INTERFERENCE	5
MICROWAVE COOKING PRINCIPLES	5
UTENSILS GUIDE	5
PART NAMES	6
CONTROL PANEL	7
HOW TO SET THE OVEN CONTROLS	8
MICROWAVE COOKING	8
+30SEC	8
GRILL	9
MICRO+GRILL	9
CONVECTION COOKING	9
MICROWAVE + CONVECTION COOKING	10
TIME DEFROST	10
WEIGHT DEFROST	10
MULTISTAGE COOKING	10
SETTING CHILD LOCK	11
AUTOMATIC PROTECTION MECHANISM	11
AUTO COOK MENU	11
CLEANING AND CARE	12

12

MONTH

WARRANTY

.....**Error! Bookmark not defined.**

IMPORTANT SAFETY INSTRUCTIONS

When using electrical appliance basic safety precautions should be followed, including the following:

WARNING: To reduce the risk of burns, electric shock, fire, injury to persons or exposure to excessive microwave energy:

1. Read all instructions before using the appliance and keep for future reference.
2. Use this appliance only for its intended use as described in this manual. Do not use corrosive chemicals or vapors in this appliance. This type of oven is specifically designed to heat, cook or dry food. It is not designed for industrial or laboratory use.
3. Do not operate the oven when empty.
4. Do not operate this appliance if it has a damaged cord or plug, if it is not working properly or if it has been damaged or dropped. If the supply cord is damaged, it must be replaced by the manufacturer or its service agent or a similarly qualified person in order to avoid a hazard.

WARNING: When the appliance is operated in the combination mode, children should only use the oven under adult supervision due to the temperatures generated.

WARNING: Only allow children to use the oven without supervision when adequate instructions have been given so that the child is able to use the oven in a safe way and understands the hazards of improper use.

5. To reduce the risk of fire in the oven cavity:
 - a) When heating food in plastic or paper container, keep an eye on the oven due to the possibility of ignition.
 - b) Remove wire twist-ties from paper or plastic bags before placing bag in oven.
 - c) If smoke is observed, switch off or unplug the appliance and keep the door closed in order to stifle any flames.
 - d) Do not use the cavity for storage purposes. Do not leave paper products, cooking utensils or food in the cavity when not in use.
 - e) The microwave oven is intended for heating food and beverages. Drying of clothing and heating of warming buttons, slippers, sponges, damp cloth and similar may lead to risk of injury, ignition or fire.

WARNING: Liquid or other food must not be heated in sealed containers since they are liable to explode.

6. Microwave heating of beverage can result in delayed eruptive boiling, therefore care must be taken when handling the container.
7. Do not fry food in the oven. Hot oil can damage oven parts and utensils and even result in skin burns.
8. Eggs in their shell and whole hard-boiled eggs should not be heated in microwave ovens since they may explode even after microwave heating has ended.
9. Pierce foods with heavy skins such as potatoes, whole squashes, apples and chestnuts before cooking.
10. Contents of feeding bottles and baby jars should be stirred or shaken and the temperature should be checked before serving in order to avoid burns.
11. Cooking utensils may become hot because of heat transferred from the heated food. Potholders may be needed to handle the utensil.
12. Utensils should be checked to ensure that they are suitable for use in microwave oven.

WARNING: It is hazardous for anyone other than a trained person to carry out any service or repair operation which involves the removal of any cover which gives protection against exposure to microwave energy.

13. The appliance is not to be used by persons (including children) with reduced physical, sensory or mental capabilities, or lack of experience and knowledge, unless they have been given supervision or instructions concerning use of the appliance by a person responsible for their safety.
14. Children should be supervised to ensure that they do not play with the appliance.
15. The microwave oven is only used freestanding.

IMPORTANT! Do not install oven over a range cooktop or other heat-producing appliance. If installed the microwave oven could be damaged.

16. The microwave oven shall not be placed in a cabinet.
17. The door or the outer surface may get hot when the appliance is operating.

Warning: Accessible parts may become hot during use. Children should be kept away from the microwave oven.

18. During use the appliances becomes hot. Care should be taken to avoid contact with the heating element inside the oven.
19. The temperature of accessible surfaces may be high when the appliance is operating.
20. The appliance shall be placed against a wall.
21. This appliance is intended to be used in household and similar applications such as:
 - staff kitchen areas in shops, offices and others working environments;
 - farm houses;
 - by clients in hotels, motels and other residential type environments;
 - bed and breakfast type environments.
22. Metallic containers for food and beverages must not be used during microwave cooking.
23. The oven should be cleaned regularly and any food deposits removed.
24. Failure to maintain the oven in a clean condition could lead to deterioration of the surface that could adversely affect the life of the appliance and possibly result in a hazardous situation.
25. The appliance shall not be cleaned with a steam cleaner.

WARNING: If the door or door seals are damaged, the oven must not be operated until it has been repaired by a competent person.

26. The microwave oven is not intended to be operated by means of an external timer or separate remote-control system.
27. The microwave oven is for household use only and not for commercial use.
28. Never remove the distance holder in the back or on the sides, as it ensures a minimum distance from the wall for air circulation.
29. Please secure the turntable before you move the appliance to avoid damage.

Caution! Any repairs to the product must be carried out by a qualified electrical person only. This includes changing the power cord or the internal light globe.

30. The microwave oven is intended for defrosting, cooking and steaming of food only.
31. Use gloves if you remove any heated food.



32. **Caution, hot surface. Care must be taken. The surfaces are liable to get hot during use.**

CAUTION: Steam will escape, when opening lids or wrapping foil.

SPECIFICATIONS

Power Supply	230-240V~ 50Hz
Power Consumption (Microwave)	1400W
Power Consumption (Grill)	1250W
Power Consumption (Convection)	2200W
Rated Microwave Power Output	900W
Operation Frequency	2450MHz
Outside Dimensions	300mm(H)× 539mm(W)× 461mm(D)
Oven Cavity Dimensions:	240mm(H)× 354mm(W)× 358mm(D)
Oven Capacity	30Litres
Net Weight	Approx. 18.4kg

BEFORE YOU CALL FOR SERVICE

If the oven fails to operate:

1. Check to ensure that the oven is connected to mains power securely. If it is not, remove the plug from the mains power outlet socket, wait 10 seconds, and then try plugging in again securely.
2. Check for a blown circuit fuse or a tripped main circuit breaker. If these seem to be operating properly, test the mains power outlet socket with another appliance.
3. Check to ensure that the control panel is programmed correctly and the timer is set.
4. Check to ensure that the door is securely closed engaging the door safety lock system. Otherwise, the microwave energy will not flow into the oven.

IF NONE OF THE ABOVE RECTIFIES THE SITUATION, THEN CONTACT A QUALIFIED TECHNICIAN. DO NOT TRY TO ADJUST OR REPAIR THE OVEN YOURSELF.

INSTALLATION

1. Make sure that all the packing materials are removed from the inside of the door.
2. **WARNING: Check the oven for any damage, such as misaligned or bent door, damaged door seals and sealing surface, broken or loose door hinges and latches and dents inside the cavity or on the door. If there is any damage, do not operate the microwave oven. Return the product to Kmart.**
3. This microwave oven must be placed on a flat, stable surface to hold its weight and the heaviest food likely to be cooked in the oven.
4. Do not place the oven where heat, moisture, or high humidity are generated, or near combustible materials.
5. For correct operation, the oven must have sufficient airflow Allow minimum 30cm of free space necessary above the top surface of the oven, 10cm at the back and 5cm at both sides. Do not cover or block any openings on the appliance. Do not remove feet.
6. Do not operate the oven without glass tray, roller support, and shaft in their proper positions.
7. Make sure that the power supply cord is undamaged and does not run under the oven or over any hot or sharp surface.

8. The mains power outlet socket must be readily accessible so that it can be easily unplugged in an emergency.
9. Do not use the oven outdoors.

RADIO INTERFERENCE

Operation of the microwave oven can cause interference to your radio, TV, or similar equipment.

When there is interference, it may be reduced or eliminated by taking the following measures:

1. Clean door and sealing surface of the oven.
2. Re-orient the receiving antenna of radio or television.
3. Relocate the microwave oven with respect to the receiver.
4. Move the microwave oven away from the receiver.
5. Plug the microwave oven into a different power outlet so that microwave oven and receiver are on different power circuits in the house.

MICROWAVE COOKING PRINCIPLES

1. Arrange food carefully. Place thickest areas towards outside of dish.
2. Watch cooking time. Cook for the shortest amount of time indicated and add more as needed. Food severely overcooked can smoke or ignite.
3. Cover foods while cooking. Covers prevent spattering and help foods to cook evenly.
4. Turn foods over once during microwaving to speed cooking of such foods as chicken and hamburgers. Large items like roasts must be turned over at least once.
5. Rearrange foods such as meatballs halfway through cooking both from top to bottom and from the center of the dish to the outside.

UTENSILS GUIDE

1. Microwave cannot penetrate metal. Only use utensils that are suitable for use in microwave ovens. Metallic containers for food and beverages are not suitable during microwave cooking. This requirement is not applicable if the manufacturer specifies size and shape of metallic containers suitable for microwave cooking.
2. Microwave can not penetrate metal, so metal utensils or dishes with metallic trim should not be used.
3. Do not use recycled paper products when microwave cooking, as they may contain small metal fragments which may cause sparks and/or fires.
4. Round/oval dishes rather than square/oblong ones are recommend, as food in corners tends to overcook.
5. Narrow strips of aluminum foil may be used to prevent overcooking of exposed areas. But be careful don't use too much and keep a distance of 1 inch (2.54cm) between foil and cavity.
6. The baking plate must not be used without the glass tray. Do not remove the glass tray when using the baking plate for cooking.

IMPORTANT! Baking plate is made of metal. It is not microwave-safe. Do not use the baking plate in any microwave cooking stage.

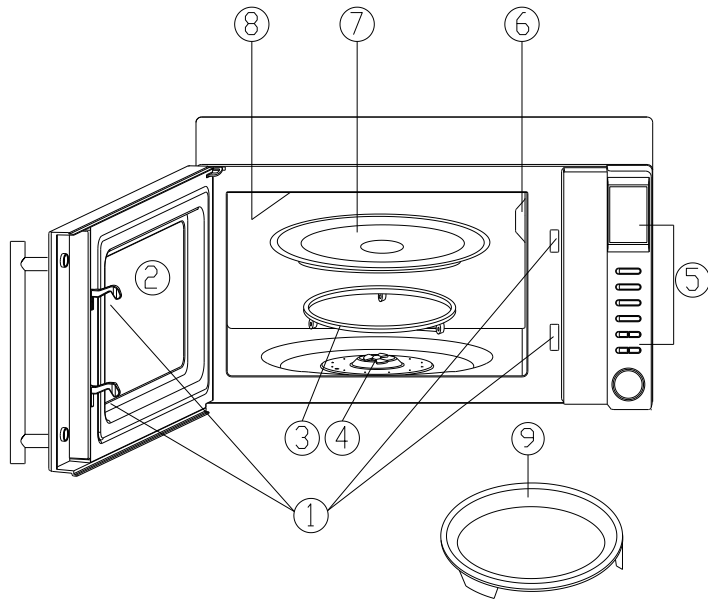
The list below is a general guide to help you select the correct utensils.

COOKWARE	MICROWAVE	GRILL	*COMBINATION
Heat-Resistant Glass	Yes	Yes	Yes
Non Heat-Resistant Glass	No	No	No
Heat-Resistant Ceramics	Yes	Yes	Yes
Microwave-Safe Plastic Dish	Yes	No	No
Kitchen Paper	Yes	No	No
Metal Tray	No	Yes	No
Metal Rack	No	Yes	No
Aluminum Foil & Foil Containers	No	Yes	No

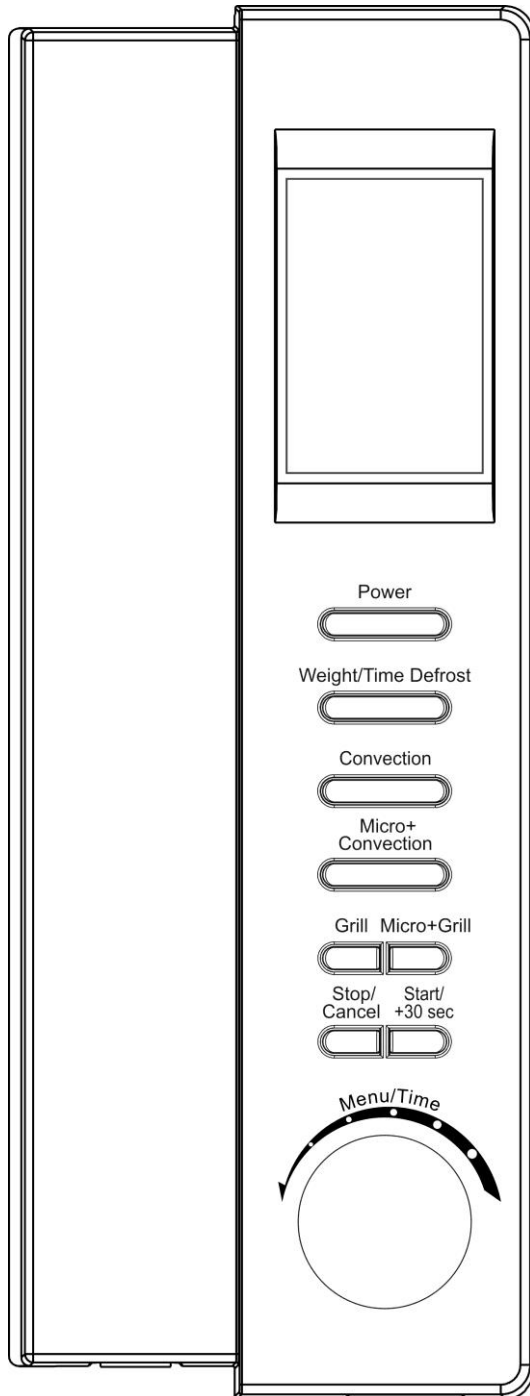
* Combination: suitable for both "microwave+grill", and "microwave+Convection" cooking.

PART NAMES

1. Door Safety Lock System
2. Oven Window
3. Roller Ring
4. Shaft
5. Control Panel
6. Wave Guide
7. Glass Tray
8. Grill Heater
9. Baking plate



CONTROL PANEL



Display Screen

Cooking time, power, indicators and clock time are displayed.

Power

Press to select microwave cooking power level.

Weight/Time Defrost

Press this button once to set weight defrost program.

Press this button twice to set time defrost program.

Grill

Press to set a grill cooking program.

Micro+Grill

Press to select one of two combination cooking settings.

Convection

Press to program Convection temperature

Micro+Convection

Press to select one of four combination cooking settings.

Stop/Cancel

Press to stop cooking program or clear all previous settings before cooking starts.

It is also use to set child lock.


Start/+30sec

Press to start cooking program or set quick start cooking program.

Menu/Time(dial)

Rotate to set cooking time or select auto-menu.

HOW TO SET THE OVEN CONTROLS

- When the oven first plugged in, beep will sound and the display will show “” and “1 :01” .
- During cooking, if STOP/CANCEL button is pressed once, the program will be paused, Press Start/+30sec button to resume. But if STOP/CANCEL button is pressed twice, the program will be canceled.
- After cooking has ended, the system will sound beeps every two minutes to remind user until STOP/CANCEL button is pressed or the oven door has been opened.
- The controlling system of the microwave oven has the feature of cooling. As for any cooking mode which cooking time is above 2 minutes, after finishing cooking or the oven door is opened, the oven fan will work about 3 minutes automatically to cool the oven for prolonging the life of the oven.

NOTE: If steam accumulates inside or around the outside of the oven door, wipe with a soft cloth. This may occur when the microwave oven is operated under high humidity condition. And it is normal.

MICROWAVE COOKING

Microwave cooking allows you to customize cooking power and time. First, select a power level by pressing the POWER button (see the table below), and then turn the Menu/Time dial to enter cooking time. Maximum cooking time is 95 minutes. The oven will start to cook after the Start/+30sec is pressed.

Suppose you want to cook for 5 minute at 60% Power Level.

1. Open the door and place the food into the oven, then close it.
2. Press POWER button until the screen shows the intended power.

Press POWER button	Cooking power (Display)	Press POWER button	Cooking power (Display)
Once	100% (P100)	7 times	40% (P-40)
Twice	90% (P-90)	8 times	30% (P-30)
3 times	80% (P-80)	9 times	20% (P-20)
4 times	70% (P-70)	10 times	10% (P-10)
5 times	60% (P-60)		
6 times	50% (P-50)		

3. Rotate the Menu/Time dial to enter cooking time until the correct cooking time (5:00) is displayed.
4. Press Start/+30sec to start.

NOTE: You can check the current cooking power level while cooking is in progress by pressing the POWER button. If you want to cook at full power level, omit the second step.

+30SEC

Use this feature to program the oven to start at 100% power conveniently. The maximum time that can be set is 95 minutes. During cooking, you can also press Start/+30sec button to add cooking time.

1. Open the door and place the food into the oven, then close it.
2. Press Start/+30sec button in quick succession to set the cooking time. The oven will auto-start immediately.

NOTE: During microwave or grill cooking program, you can add cooking time by pressing Start/+30sec button.

GRILL

Grill cooking is particularly useful for cooking thin slices of meat, steaks, chops, kebabs, sausages and pieces of chicken. It is also suitable for hot sandwiches and au gratin dishes. Maximum cooking time is 95 minutes.

Suppose you want to program grill cooking for 12 minutes.

1. Open the door and place the food into the oven, then close it.
2. Press GRILL button once.
3. Rotate the Menu/Time dial to enter cooking time
4. Press Start/+30sec button to start.

MICRO+GRILL

The maximum cooking time here is 95 minutes.

Suppose you want to set combination cooking for 25 minutes.

1. Open the door and place the food into the oven, then close it.
2. Press MICRO+GRILL button once or twice.

Press MICRO+GRILL button	Combination	Cooking time		Use
		Microwave	Grill	
Once	Co-1	30%	70%	fish, potatoes or au gratin
Twice	Co-2	55%	45%	pudding, omelets, baked potatoes and poultry

3. Rotate Menu/Time to enter cooking time.
4. Press Start/+30sec to start cooking.

NOTE: During cooking you can check the current combination cooking power level by pressing MICRO+GRILL button.

CONVECTION COOKING

During Convection cooking, hot air is circulated throughout the oven cavity to make crisp foods quickly and evenly. This oven has ten different cooking temperatures from 200°C to 110°C. The longest cooking time is 95 minutes.

To Cook with Convection:

1. Press CONVECTION button repeatedly to select desired temperature.
2. Rotate Menu/Time knob to enter cooking time.
3. Press Start/+30sec to start.

NOTE: During cooking you can check the cooking temperature by Pressing CONVECTION button.

To Preheat and Cook with Convection:

Your oven can be programmed to combine preheating and Convection cooking operations.

1. Press CONVECTION button repeatedly to select desired temperature.
2. Press Start/+30sec to confirm. When the oven reaches the programmed temperature, beeps will sound.
3. Open the door and place container of food at the center of the turntable.
4. Rotate Menu/Time knob to enter cooking time.
5. Press Start/+30sec to start.

NOTE: The longest preheat time is 30 minutes and the time cannot be changed. When the temperature reaches the preheat temperature, the countdown will every 5 seconds for 30 minutes and the display will show “END” after 30 minutes. You can stop the count down by pressing the Start/Cancel button or by opening the door.

IMPORTANT! Do not operate the oven without the glass tray, roller support, and shaft in the proper positions. The baking plate must not be used without the glass tray. Do not remove the glass tray when using the baking plate for cooking.

MICROWAVE + CONVECTION COOKING

This oven has four different combination cooking temperatures: 200°C, 170°C, 140°C, 110°C. It's easy to cook with both Convection heat and microwave automatically. The longest cooking time is 95 minutes.

1. Press MICRO + CONVECTION button repeatedly to select desired combination temperature.
2. Rotate Menu/Time knob to enter cooking time.
3. Press Start/+30sec to start.

NOTE: During cooking you can check the combination cooking power level by Pressing Micro+Convection button.

TIME DEFROST

With TIME DEFROST you need to input defrosting time. The longest defrost time is 95 minutes. Suppose you want to set the oven to defrost for 5 minutes and 30 seconds.

1. In waiting mode, press Weight/Time Defrost button twice.
2. Rotate the Menu/Time dial to set defrosted time.
3. Press Start/+30sec to start.

WEIGHT DEFROST

The oven allows you to defrost food based on the weight entered by user. The defrosting time and power level are automatically set once the food category and the weight are programmed. The frozen food weight ranges from 100g to 1800g.

1. In waiting mode, press Weight/Time Defrost button once.
2. Rotate the Menu/Time dial to select weight of food to be defrosted.
3. Press Start/+30sec to start.

MULTISTAGE COOKING

First stage	Microwave cooking/ Grill cooking/ Microwave+Grill cooking/ Convection cooking (without preheating) / Microwave+Convection cooking
Second stage	Microwave cooking / Grill cooking / Microwave+Grill cooking / Convection cooking (without preheating) / Microwave+Convection cooking
Third stage	Microwave cooking / Grill cooking / Microwave+Grill cooking / Convection cooking (without preheating) / Microwave+Convection cooking

You can select only one of cooking method in each stage.

For example: If you want to set the multistage as:

Microwave cooking(1st stage)---- Grill cooking(2nd stage) ---- Convection cooking (3rd stage); Follow the steps below:

- 1) Press Power button until the screen shows the intended power level. Refer to page 8 for power level input. Rotate the Menu/Time knob to enter cooking time. Do not press Start/+30sec button now.
- 2) Press Grill button once. And then rotate the Menu/Time knob to enter cooking time. Do not press Start/+30sec button now.
- 3) Press CONVECTION button repeatedly to select desired temperature. Rotate the Menu/Time knob to enter cooking time.
- 4) Press Start/+30sec. to confirm and start the multistage cooking.

NOTE: If you only need two stages of cooking programs, omit the third step. Auto cook menu, time defrost, weight defrost, quick start and Convection program with preheat cannot be set in multistage cooking program.

SETTING CHILD LOCK

The lock prevents unsupervised operation by children.

To set the child proof lock: Press STOP/CANCEL button for 3 seconds, then a beep will sound and the indicator light will come on. In the lock state, all buttons are disabled.

To cancel the child proof lock: Press STOP/CANCEL button for 3 seconds, then a beep will sound and the indicator light will come off.

AUTOMATIC PROTECTION MECHANISM

High Temperature Protection: While entering into super high temperature protection status, the system will “beep” and the display will show “E-1”. For troubleshooting, press STOP/CANCEL button to return normal condition. Please open the door to cool the oven cavity.

Low Temperature Protection: While entering into low temperature protection status, the system will “beeps” and the display will show “E-2” until STOP/CANCEL button is pressed to return normal condition.

Sensor Malfunction Protection: When the sensor is short circuited, the system enters into protection mode and the system will “beep”, and the display will show “E-3” until STOP/CANCEL button is pressed to return normal condition.

AUTO COOK MENU

For food or the following cooking mode, it is not necessary to program the time and the cooking power. It is sufficient to indicate the type of food that you want to cook as well as the weight of this food.

1. Open the door and place the food into the oven, close it.
2. Rotate the Menu/Time dial anti-clockwise once and then turn it again to select food code.
3. Press Start/+30sec to confirm.
4. Rotate the Menu/Time dial to enter weight, check the screen for number of servings or preset weights, which should closely match the weight of food you have placed in the oven.
5. Press Start/+30sec to start.

Auto cook menu:

Food Code	Menu	Note
1	Popcorn(99g)	<ol style="list-style-type: none"> For beverage and potato, the screen will show the number of serving instead of food weight. For chicken, the oven stops during defrosting to let the user to turn food over for uniform defrosting and then press Start/+30sec to finish the remaining time The result of auto cooking depends on factors such as the shape and size of food, your personal preference.
2	Beverage (200ml/cup)	
3	Pizza(g)	
4	Reheat(g)	
5	Spaghetti(g)	
6	Cake(g)	
7	Potato(each 230g)	
8	Chicken(g)	

CLEANING AND CARE

- Turn off the oven and remove the power plug from the wall socket before cleaning.
- Keep the inside of the oven clean. When food splatters or spilled liquids adhere to oven walls, wipe with a damp cloth. Mild detergent may be used if the oven gets very dirty. Avoid the use of spray and other harsh cleaners as they may stain, streak or dull the door surface.
- The outside surfaces should be cleaned with a damp cloth. To prevent damage to the operating parts inside the oven, water should not be allowed to seep into the ventilation openings.
- Wipe the door and window on both sides, the door seals and adjacent parts frequently with a damp cloth to remove any spills or spatters. Do not use abrasive cleaners.
- Do not use a steam cleaner.
- Do not allow the control panel to become wet. Clean with a soft, damp cloth. When cleaning the control panel, leave oven door open to prevent oven from accidentally turning on.
- If steam accumulates inside or around the outside of the oven door, wipe with a soft cloth. This may occur when the microwave oven is operated under high humidity condition. And it is normal.
- It is occasionally necessary to remove the glass tray for cleaning. Wash the tray in warm sudsy water or in a dishwasher.
- The roller ring and oven floor should be cleaned regularly to avoid excessive noise. Simply wipe the bottom surface of the oven with mild detergent. The roller ring may be washed in mild sudsy water or dishwasher. When removing the roller ring from cavity floor for cleaning, be sure to replace in the proper position.

10. Remove odours from your oven by combining a cup of water with the juice and skin of one lemon in a deep microwaveable bowl, microwave for 5 minutes. Wipe thoroughly and dry with a soft cloth.
11. When it becomes necessary to replace the oven light, it must be replaced by a qualified electrical person.
12. The oven should be cleaned regularly and any food deposits removed. Failure to maintain the oven in a clean condition could lead to deterioration of the surface that could adversely affect the life of the appliance and possibly result in a hazardous situation.
13. Please do not dispose this appliance into the domestic rubbish bin, it should be disposed at particular disposal center provided by the local council.
14. When the microwave oven with grill function is first used, it may produce slight smoke and smell. This is a normal, because the oven is made of a steel plate coated with lubricating oil, and the new oven will produce fumes and odour generated by burning the lubricating oil. The odour will disappear after short period of use.

12 Month Warranty

Thank you for your purchase from Kmart.

Kmart Australia Ltd warrants your new product to be free from defects in materials and workmanship for the period stated above, from the date of purchase, provided that the product is used in accordance with accompanying recommendations or instructions where provided. This warranty is in addition to your rights under the Australian Consumer Law.

Kmart will provide you with your choice of a refund, repair or exchange (where possible) for this product if it becomes defective within the warranty period. Kmart will bear the reasonable expense of claiming the warranty. This warranty will no longer apply where the defect is a result of alteration, accident, misuse, abuse or neglect.

Please retain your receipt as proof of purchase and contact our Customer Service Centre on 1800 124 125 (Australia) or 0800 945 995 (New Zealand) or alternatively, via Customer Help at Kmart.com.au for any difficulties with your product. Warranty claims and claims for expense incurred in returning this product can be addressed to our Customer Service Centre at 690 Springvale Rd, Mulgrave Vic 3170.

Our goods come with guarantees that cannot be excluded under the Australian Consumer Law. You are entitled to a replacement or refund for a major failure and compensation for any other reasonably foreseeable loss or damage. You are also entitled to have the goods repaired or replaced if the goods fail to be of acceptable quality and the failure does not amount to a major failure.

For New Zealand customers, this warranty is in addition to statutory rights observed under New Zealand legislation.