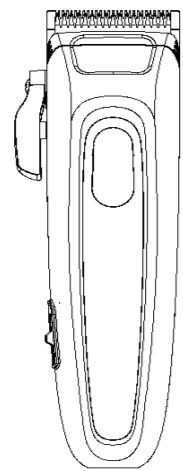


105*145mm

anko

Pet Hair Clipper
Instruction Manual



Model no.: RCF-1707

SAFETY GUIDE - PLEASE READ CAREFULLY BEFORE USING THIS APPLIANCE

Please follow all the precautions listed below for safety and to reduce the risk of injury or electric shock.

WARNING: READ ALL INSTRUCTIONS; FAILURE TO FOLLOW ALL INSTRUCTIONS LISTED BELOW MAY RESULT IN ELECTRIC SHOCK, OR SERIOUS PERSONAL INJURY.

SAVE THIS INSTRUCTION

1. Only use the appliance as described in this manual.
2. Do not immerse the appliance in water or any other liquid.
3. Do not reach for an appliance that has fallen into water. Unplug it immediately.
4. Do not place or store this appliance where it can fall or be pulled into a bath or sink.
5. Do not allow the appliance to be exposed to rain or moisture during use or storage.
6. Do not submerge the appliance, nor make it flow under water-tap.
7. Always check the appliance for damage prior to use. If any damage is observed, do not use the appliance.
8. The appliance is intended for indoor use only.
9. Always switch the appliance off after use.
10. This appliance has no user serviceable parts. Do not attempt to access the appliance covers.
11. This appliance is for personal use only, not designed for commercial use.
12. Do not use it outdoors or operate when aerosol spray products are being used or where oxygen is being administered.
13. Do not use the appliance if it is not working properly, if it has been dropped or if it has been immersed in any liquid.
14. Before using the appliance, ensure that the clipper head are securely fitted.
15. During use, do not place or leave clipper where it may be subject of damage by the animal or exposed to weather.
16. The appliance is not to be used by persons (including children) with reduced physical, sensory or mental capabilities, or lack of experience and knowledge, unless they have been given supervision or instruction concerning use of the appliance by a person responsible for their safety.
17. Children being supervised to ensure that they do not play with the appliance.
18. Do not operate the charger if it has a damaged cord or plug, if it is not working properly, if it has been dropped or damaged or dropped into water.
19. Use only the original charger supplied with the appliance.
20. Check that your supply voltage is the same as that stated on the charger.

21. When charging the appliance, the power switch must be off.
22. It is normal for the charger to become warm to touch when charging.
23. Use only attachments provided.
24. This product contains sharp blades, please take the utmost care in handling and use.
25. Avoid contact with moving blades.
26. Do not stretch, twist and curl the cable around the appliance.
27. Keep the cable away from hot surfaces.
28. Do not replace the batteries with non-rechargeable batteries.
29. To avoid personal injury, do not use this appliance with a damaged or broken cutter unit, as injury may occur. Always make sure blades are aligned properly.
30. Do not use salt water or boiling water to clean the clipper. Also, do not use cleaning products that are designed for toilets, bathrooms or kitchen appliances
31. The hair clipper must be used only with provided battery charger KH6-050100AU.

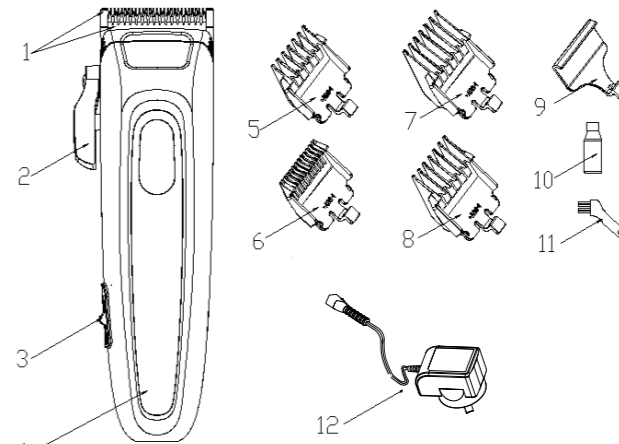
WARNING: Do not recharge non-rechargeable batteries.
WARNING: Before charging the product, please make sure your hands are dry.
WARNING: Please use the charger we supplied with the appliance. Other chargers may cause electrical failure and/or fire.

This product is not suitable to use in a bath or shower

INTRODUCTION

This appliance is designed for household use only. The appliance can be used at 100-240V voltage. Before you put the charger into the outlet, make sure the voltage is compatible with the required voltage on the product.

PARTS



- | | |
|------------------------|-------------------------|
| 1. Blade Set | 7. 9mm Comb attachment |
| 2. Taper lever | 8. 12mm Comb attachment |
| 3. On/Off Switch | 9. Blade cover |
| 4. Charging indicator | 10. Lubricating Oil |
| 5. 3mm Comb attachment | 11. Cleaning Brush |
| 6. 6mm Comb attachment | 12. Charger |

CHARGING THE HAIR CLIPPER

- Charge the appliance for 2.5 hours before first use.
- Ensure the product is OFF before charging.
- Connect the charger to the product and then to the mains socket.
- The charging indicator will illuminate RED and remain illuminate. Indicator change to GREEN when the unit is fully charged.

IMPORTANT! Use only the provided charger KH6-050100AU

BATTERY CARE

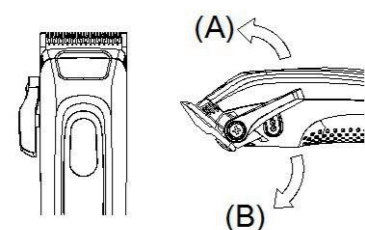
To ensure maximum life from the batteries in your rechargeable clipper, follow these guidelines:

- Do not recharge the hair clipper between sessions. Wait until the batteries are exhausted before recharging.
- Discharge the batteries completely twice a year (switch on and run until the clipper until stops).
- If the clipper is not going to be used for an extended period of time (2-3 months), unplug it from the mains and store. Fully recharge your hair clipper when you would like to use it again.
- Do not charge the hair clipper when the temperature is below 0°C or above 40°C
- Avoid recharging the hair clipper in direct sunlight or near a radiating heat source.

WARNING: Switch off the clipper before replacing or changing the attachments
NOTES: The hair to be dressed must be dry.
NOTES: The cutting length may deviate depending on the cutting angle. Please start with a comb attachment with a longer cutting length and then, in the course of cutting process, use shorter cutting lengths step by step.

KNOW YOUR PET CLIPPER

This clipper have an adjustable blade. To adjust: move the taper lever down for coarse (B) cutting and up for fine (A) cutting.



OPERATING THE CLIPPER

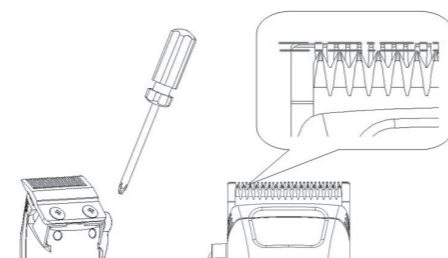
1. Remove the blade cover from the unit.
2. Disperse a few drops of lubricating oil across blades. Wipe off excess with a clean, dry cloth.
3. Select the comb attachment with the desired coat length.
4. Attach the attachment to the main unit. Hold the comb with teeth up, slide the attachment firmly onto the bottom clipper blade until it audibly and firmly locks into place.
5. Turn on the hair clipper and start cutting hair.
6. Always hold the clipper with blade running parallel to the skin. Never cut into loose skin.
7. Clean clippings from the blades using the cleaning brush. Wipe the housing with a clean, dry cloth.
8. Before replacing the blade cover for storage, spread one or two drops of lubricating oil over the blades to prevent rusting.

BLADE ALIGNMENT

It is possible the blades may be bumped out of alignment after long use. Correct blade alignment is essential for effective cutting.

To align the blades, please follow below steps:

1. The end of the top blade should be closer to the body of the hair clipper than the moving blade. This is important so that the clipper doesn't cut too close or allow the moving blade to touch the skin.
2. The moving blade should be as closely aligned as possible to the center of the top blade.
3. If the blades are not correctly aligned, turn the clipper on for a few seconds, then turn off. Loosen the two screws slightly and manually adjust the moving blade.
4. The top blade is parallel to the front edge of the moving blade. The blades should also be even on each side.

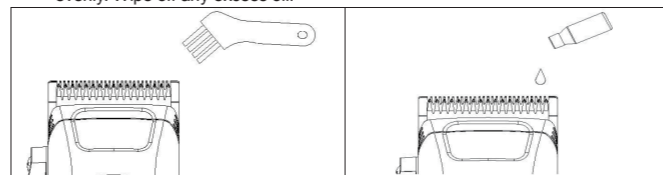


5. Re-tighten the screws.
6. Ensure the clipper is running smoothly before attempting to cut any hair.

CLEANING AND MAINTENANCE

To ensure long lasting performance, clean the blades and unit regularly.

- Ensure the clipper is switched off and wait until it is completely cool.
- Before cleaning, remove the accessory.
- Brush the accumulated hair from the blades with the aid of the cleaning brush that was equipped in the product. Do not submerge the clipper in water
- Place one or two drops of oil on the blades. Turn the clipper on to distribute the oil evenly. Wipe off any excess oil.



To clean the unit, wipe with a damp cloth and then dry it.

BATTERY DISPOSAL

If the hair clipper is to be disposed of the batteries should be removed from the appliance before it is scrapped. The hair clipper must be disconnected from the supply mains when removing the battery. The battery is to be disposed safely. Used batteries should be taken to a recycling station and not disposed of with household waste.

IMPORTANT: Always fully discharge the batteries before removal and ensure the charger is unplugged.

TECHNICAL SPECIFICATIONS

Model no.	PR-1707
Working time	Approximately 2hr
Charging time	2.5hr
Battery Charger	KH6-050100AU
Input voltage	100-240V~ 50-60Hz
Output voltage	5.0V DC, 1000mA
Battery type	Li-ion, 2000mAh, 3.7V x1 ce II

12 Month Warranty

Thank you for your purchase from Kmart.

Kmart Australia Ltd warrants your new product to be free from defects in materials and workmanship for the period stated above, from the date of purchase, provided that the product is used in accordance with accompanying recommendations or instructions where provided. This warranty is in addition to your rights under the Australian Consumer Law.

Kmart will provide you with your choice of a refund, repair or exchange (where possible) for this product if it becomes defective within the warranty period. Kmart will bear the reasonable expense of claiming the warranty. This warranty will no longer apply where the defect is a result of alteration, accident, misuse, abuse or neglect.

Please retain your receipt as proof of purchase and contact our Customer Service Centre on 1800 124 125 (Australia) or 0800 945 995 (New Zealand) or alternatively, via Customer Help at Kmart.com.au for any difficulties with your product. Warranty claims and claims for expense incurred in returning this product can be addressed to our Customer Service Centre at 690 Springvale Rd, Mulgrave Vic 3170.

Our goods come with guarantees that cannot be excluded under the Australian Consumer Law. You are entitled to a replacement or refund for a major failure and compensation for any other reasonably foreseeable loss or damage. You are also entitled to have the goods repaired or replaced if the goods fail to be of acceptable quality and the failure does not amount to a major failure.

For New Zealand customers, this warranty is in addition to statutory rights observed under New Zealand legislation.