

User Manual

Keycode: 42706649

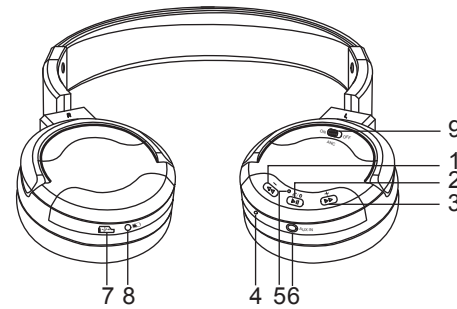
Bluetooth Noise Cancelling Headphone

Date: 24/10/2018

BN293A-2说明书用80克书写纸单黑双面印刷

diecut **K** Size:143x210mm 正面

anko Bluetooth® Noise Cancelling Headphone



User Manual

Thank you for choosing ANKO Bluetooth® Noise Cancelling Headphone. We hope you enjoy using it.

Product Specifications:

Model No.: 42706649
Version: V4.0
Support: A2DP, HFP, HSP, AVRCP
Working Distance: 10 meters
Talking Time: ≥8 Hours
Music Time: ≥8 Hours
Standby Time: >100 Hours
Charge Voltage: DC 5V
Battery Capacity: 300mAh
Charge Time: 2.5 Hours
Driver unit: 40 mm
Impedance: 32 ohms±15%
Sensitivity: Noise Cancelling OFF 96±3dB At 1KHz
Noise Cancelling ON 103±4dB At 1KHz
Noise cancelling: 18dB (-3dB/ +10dB At 150 Hz)
Frequency Range: 20Hz ~ 20kHz

Included:

1. Bluetooth® Noise Cancelling Headphone
2. 3.5mm Audio cable
3. Micro USB charging cable

Overview:

- (1) - / ◀ button: Volume down and Previous Track
- (2) ⏻ / ▶ / ⏹ button: Bluetooth pairing / Power ON/OFF / Play/Pause / Answer/Reject phone call
- (3) + / ▶▶ button: Volume up and Next Track
- (4) Microphone
- (5) Work LED Indicator
- (6) 3.5mm AUX-IN socket
- (7) Micro USB Charging Port
- (8) ⬇️ Charger LED Indicator
- (9) Active Noise Cancel ON/OFF Button

Battery Charge:

This Bluetooth® Noise Cancelling Headphone is powered by rechargeable Li-ion battery.
Remark: When the battery is running out, wireless / wired mode of this product will not working.
Please use the accessory USB charging cable to recharge the battery, and make sure the battery is fully charged before using this product again.

1. Connect the USB charging cable to the headphone Micro USB charging port (7).
2. Connect the other end of the charge cable to a powered USB device.
3. The Charger LED Indicator (8) turns RED to show battery is charging.
4. The Charger LED Indicator (8) turns off when battery is fully charged.
5. It takes about 2.5 hours to fully charge the battery.

How to use this headset:

A. Power on / off

Function	Operation	Work LED Indicator
Power On	Press and hold the power button for 5 seconds	Blue LED flashes slowly
Power Off	Press and hold the power button for 5 seconds	Blue LED turn off

B. Pairing the headphone with Bluetooth devices

1. Make sure the headphone and your device are next to each other (within 3 feet (1 meter)).
2. Press the Power switch button (2) for 3-5 seconds to power on the headphone, when the blue LED indication is blue flashing, and the Voice prompt "Power on" then "Pairing".
3. Active your phone connect function and search for nearby device connections.
4. Select "42706649" from the Bluetooth® device list. In case a password is asked for, type "0000" into your external device.
When connect success, the blue LED slowly flash and Voice prompt "connected".
5. If the pairing is not successful, switch off the headphone. Re-pair according to the steps above.

Note: The appliance will turn off automatically if no input is detected for 15 minutes and if no playback occurs.

Press and hold the ▶ button (2) to turn the appliance back on again

The Bluetooth feature will disable while using the 3.5mm audio cable. If you wish to use Bluetooth® again, please turn back on Bluetooth® mode and connect the external device.

BN293A-2说明书用80克书写纸单黑双面印刷

diecut **K** Size:143x210mm 背面

C. Pairing with two devices at the same time

Although you can pair with two devices, only one of them can play music or make phone calls with the headphones at any time. To pair with two devices:

1. According the previous instruction in the "Pairing" section to pair the 42706649 with your first device.
2. Turn off the first device connect. Then to pair the 42706649 with your second device.
3. Turn on your first device. The headphone will auto connect your first device. Switch between the two paired devices by pausing the music on the first device and playing music on the second device.

D. Phone calls

1. Please press power button ⏻ to pick up/hanging up phone call.
2. Double press the power button ⏻ to call the previous number dialed.
3. Hold 2 seconds of the power button ⏻ to reject phone call.

E. Playing music

When the headphone connects with the mobile phone via Bluetooth® you can enjoy music through the headphone wirelessly.

Function	Operation
Pause	Short press power
Play	Short press power
Previous Song	Press and hold "◀" button
Next Song	Press and hold "▶" button
Volume Up	Short press "+" button
Volume Down	Short press "-" button

How to use the Active Noise Cancelling function:

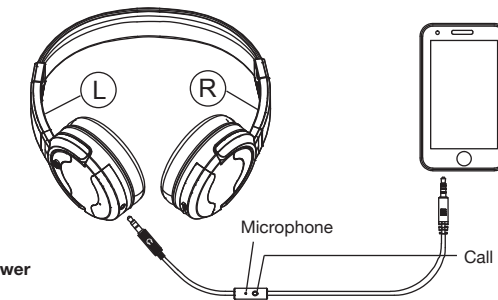
- Active Noise Cancelling Function can be used in Wireless Mode, Wired Mode and Power off status.
- ◆ To reduce noise disturbances form your surroundings, turn on the noise cancelling function by setting the ON/OFF switch (9) to ON position, then the noise cancelling function is active. The actively reduce the surrounding noise by 18dB.
 - ◆ When the noise cancelling function is turned on, the LED (5) lights up in red (Bluetooth® pairing status indicator LED (5) keeps flashing blue).
 - ◆ To turn the noise cancelling function off, put the ON/OFF switch (9) in the off position. The red light of indicator LED (5) turns off.

Note: For power saving, if you don't use the ANC function, please make the ANC switch is OFF status.

Remark: The noise cancelling function is effective in low frequency ranges such as airplanes, trains or offices (near air-conditioning, etc.) and is not as effective for higher frequencies, such as human voices.

How to use the In-line control functions:

When an external device is connected to the AUX-IN socket (6) via 3.5mm AUX cable, the headphones switch automatically to the AUX-IN mode.



A. Call answer

Function	Operation
Call Answer	Short press the call answer/music control button to answer calls on your device
Hang Up	Short press the call answer/music control button to hang up your phone call

B. Music Control Function

Function	Operation
Pause Music	Short press the call answer/music control button once to pause music
Skip Track Forward	Short press the call answer/music control button once to resume music
Skip Track Backwards	Short press the call answer/music control button three times rapidly to skip track forward
	Short press the call answer/music control button three times rapidly to skip track backwards

WARNING • Do not dispose of unit in fire or water. • Never attempt to disassemble and reassemble. Waste electrical products should not be disposed of with household waste, please recycle where facilities exist. Check with your local authority for recycle advice. • Keep your device and all accessories out of the reach of children and animals. Small parts may cause choking or serious injury if swallowed. • Avoid exposing your device to very cold or very hot temperatures (below 0 °C or above 45 °C). • Extreme temperatures can cause deforming of the device and reduce the charging capacity and life of your device. • Do not allow your device to get wet-liquids can cause serious damage. Do not handle your device with wet hands. • The use of apparatus in moderate climates. • **CAUTION:** Danger of explosion if battery is incorrectly replaced. Battery inside is non-replaceable. • Batteries (battery pack or batteries installed) shall not be exposed to excessive heat such as sunshine, fire or the like.