











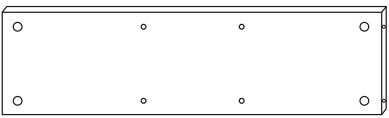
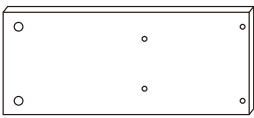
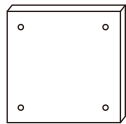
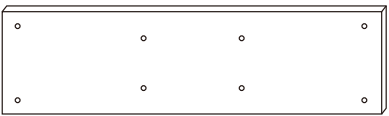
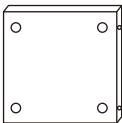

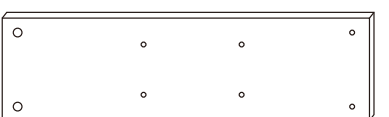
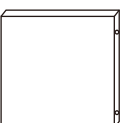


ASSEMBLY INSTRUCTIONS

6 CUBE STORAGE

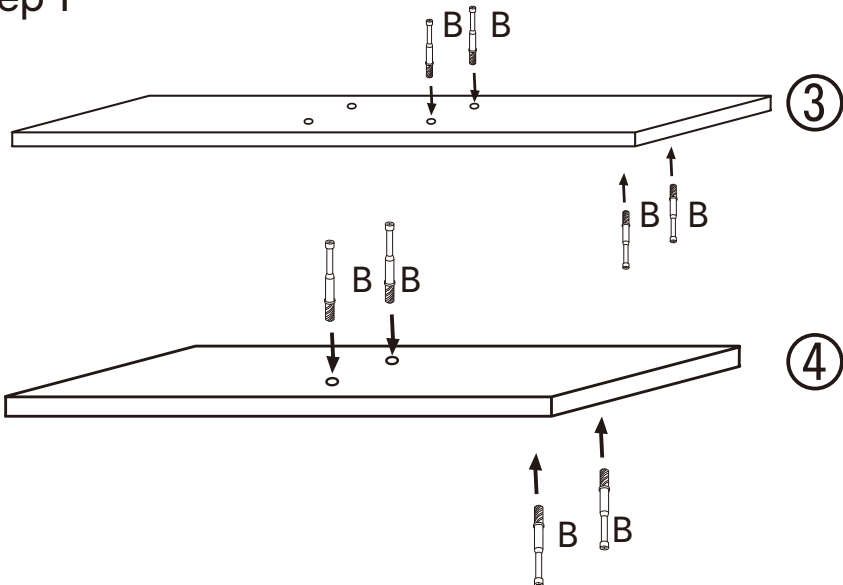
Attention -Do not fully tighten up until complete structure has been assembled into place
Tools required: Phillips head screwdriver, hammer (not provided)

	A	8pc
	B	20pc
	C	20pc
	D	2pc
	E	12pc
	F	1pc
	G	1pc
	H	1pc
	I	1pc
	J	20pc

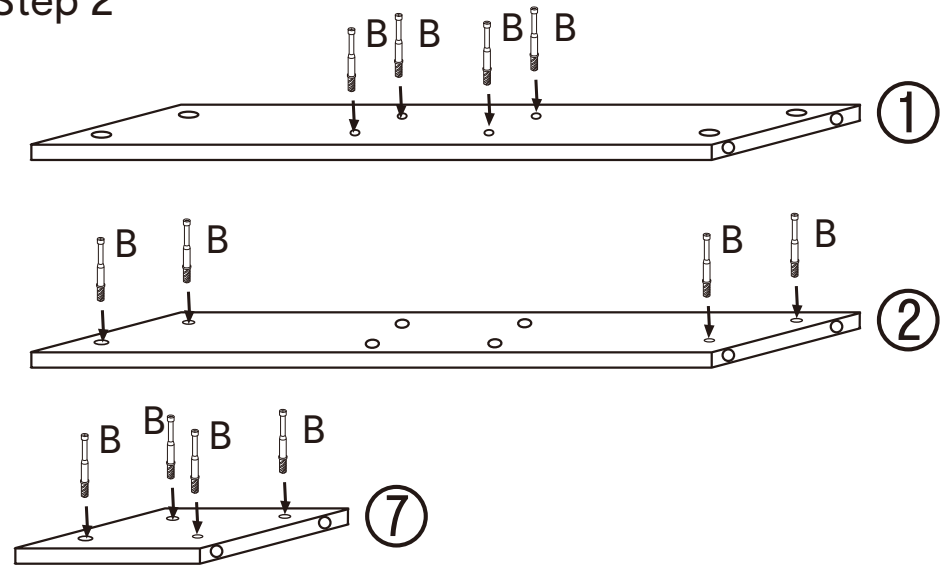
Hardware list

	①	1pc		④	1pc		⑦	1pc
	②	1pc		⑤	3pc		⑧	3pc
	③	1pc		⑥	3pc	 <p>WARNING: PLEASE SECURE YOUR FURNITURE WITH THE SUPPLIED WALL FIXING. SCAN THE CODE FOR MORE INFORMATION.</p> 		

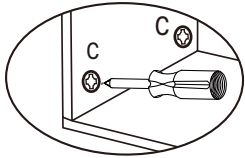
Step 1



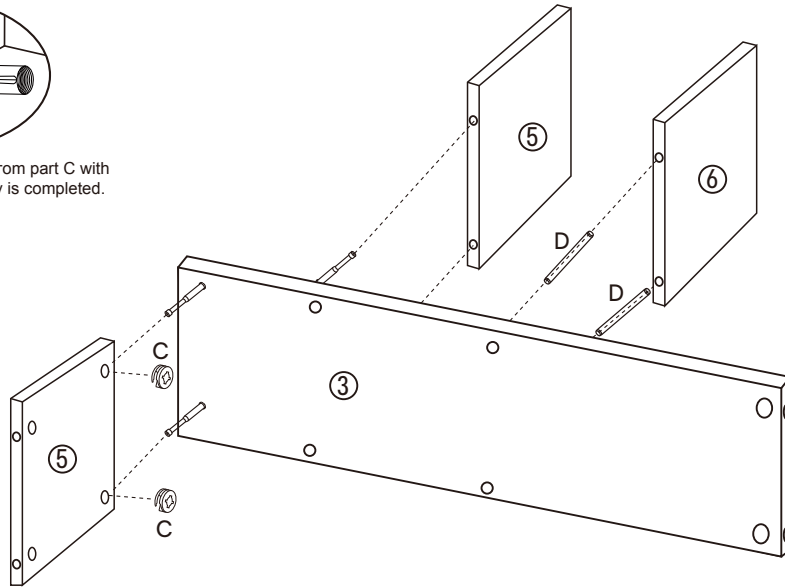
Step 2



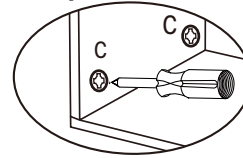
Step 3



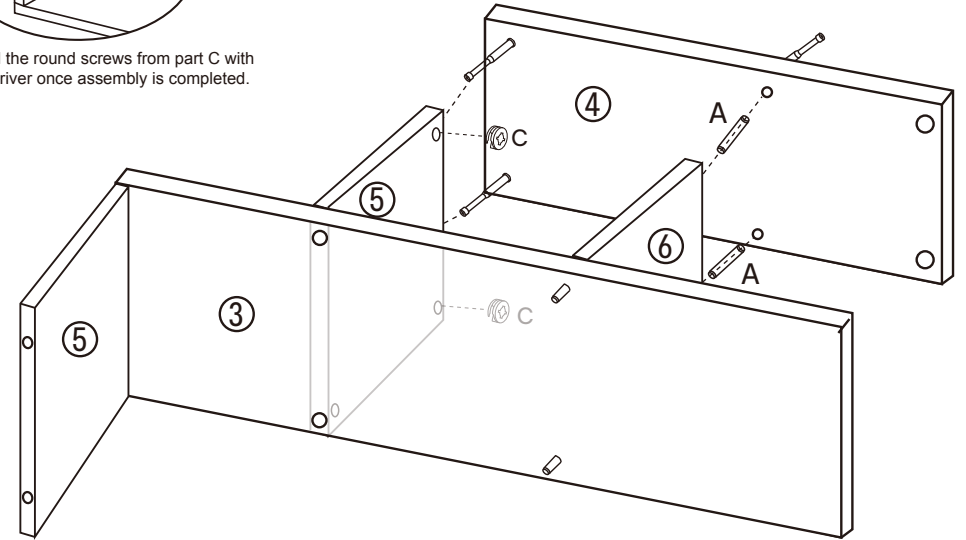
Tighten all the round screws from part C with a screwdriver once assembly is completed.



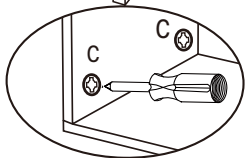
Step 4



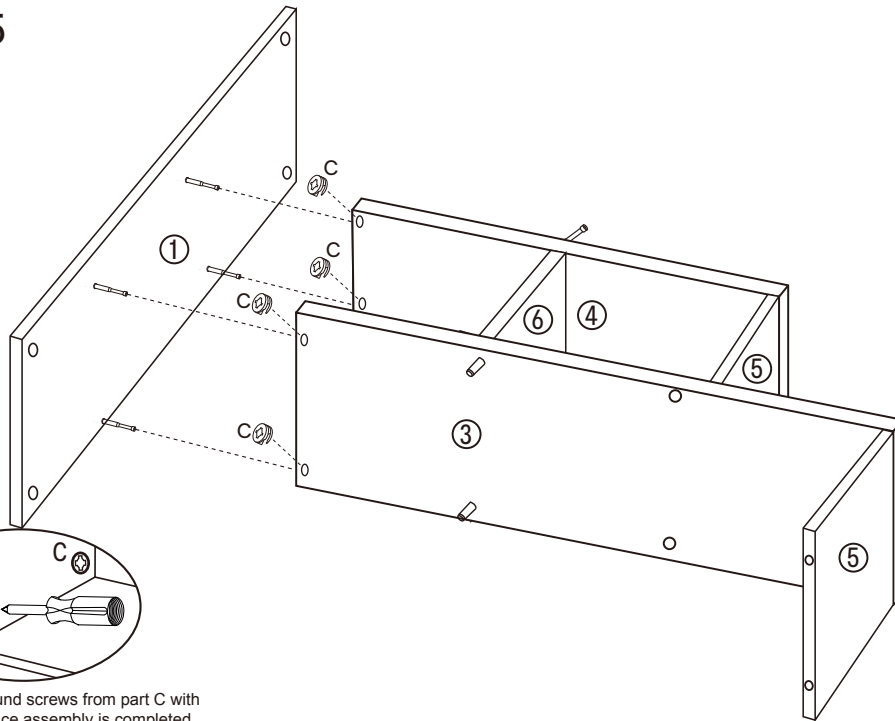
Tighten all the round screws from part C with a screwdriver once assembly is completed.



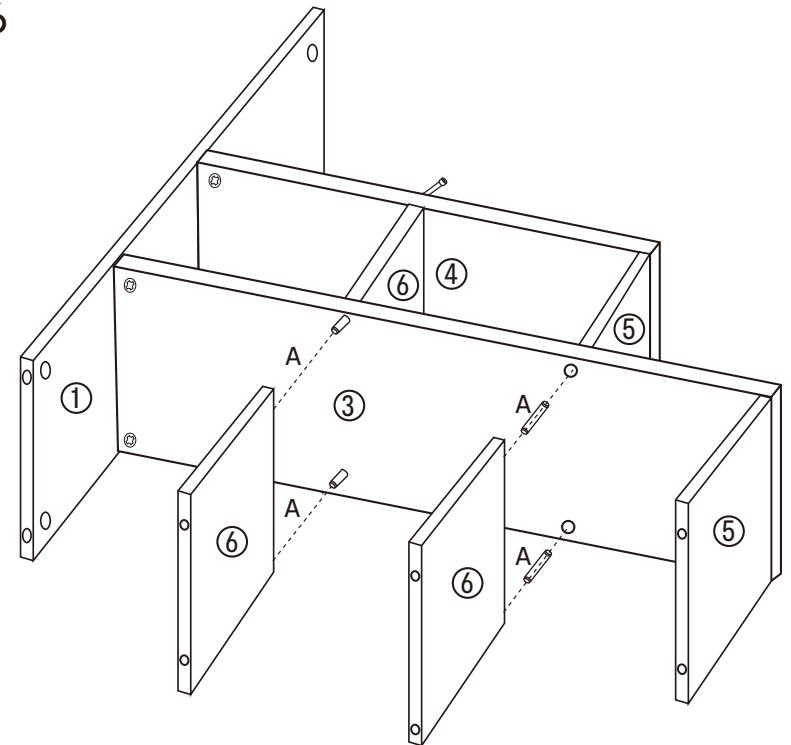
Step 5



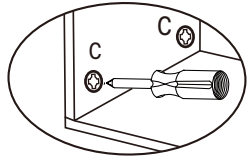
Tighten all the round screws from part C with a screwdriver once assembly is completed.



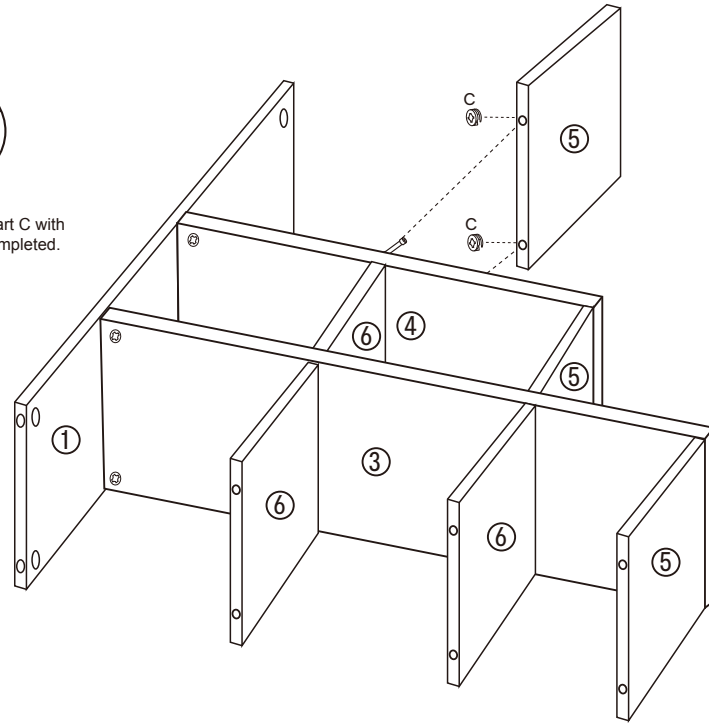
Step 6



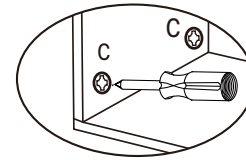
Step 7



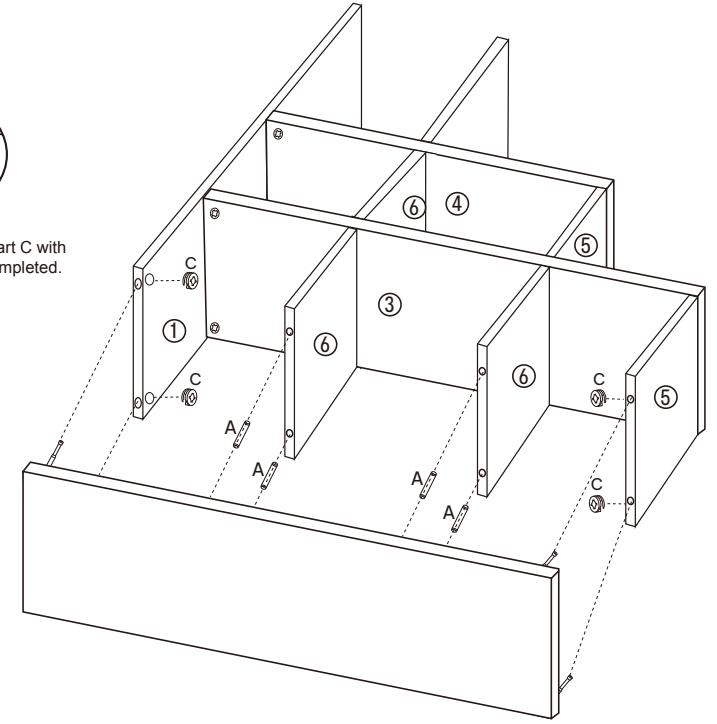
Tighten all the round screws from part C with a screwdriver once assembly is completed.



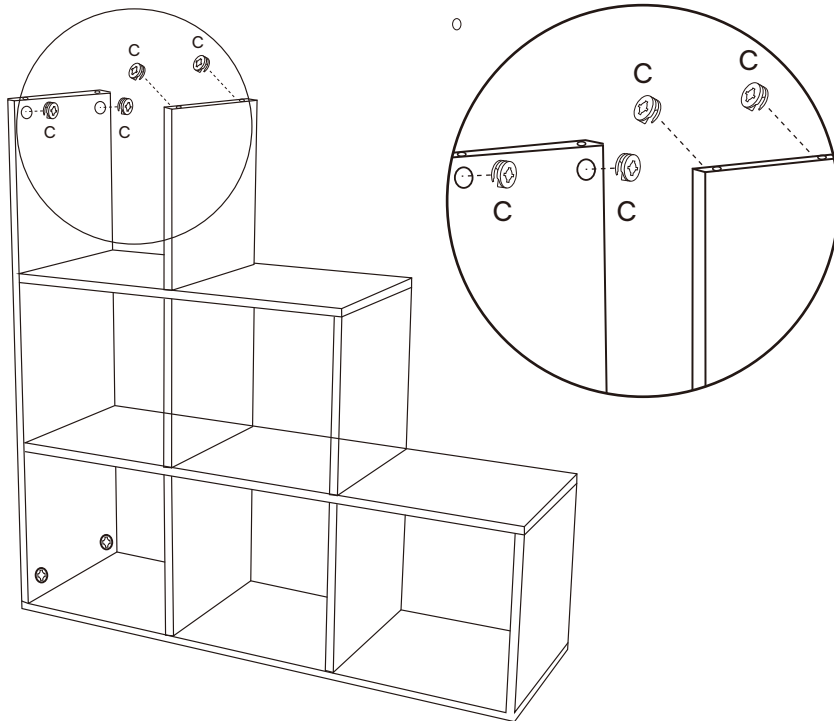
Step 8



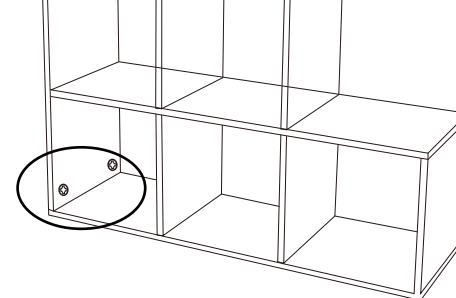
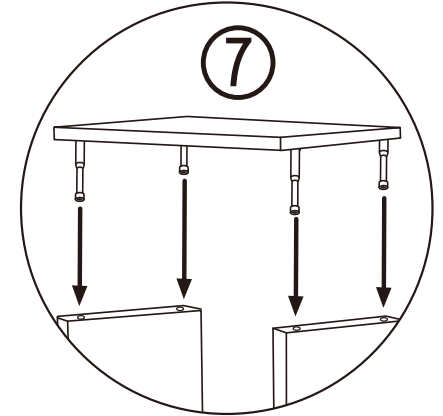
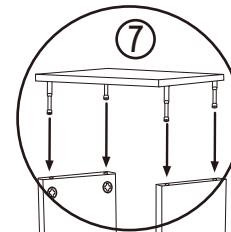
Tighten all the round screws from part C with a screwdriver once assembly is completed.



Step 9

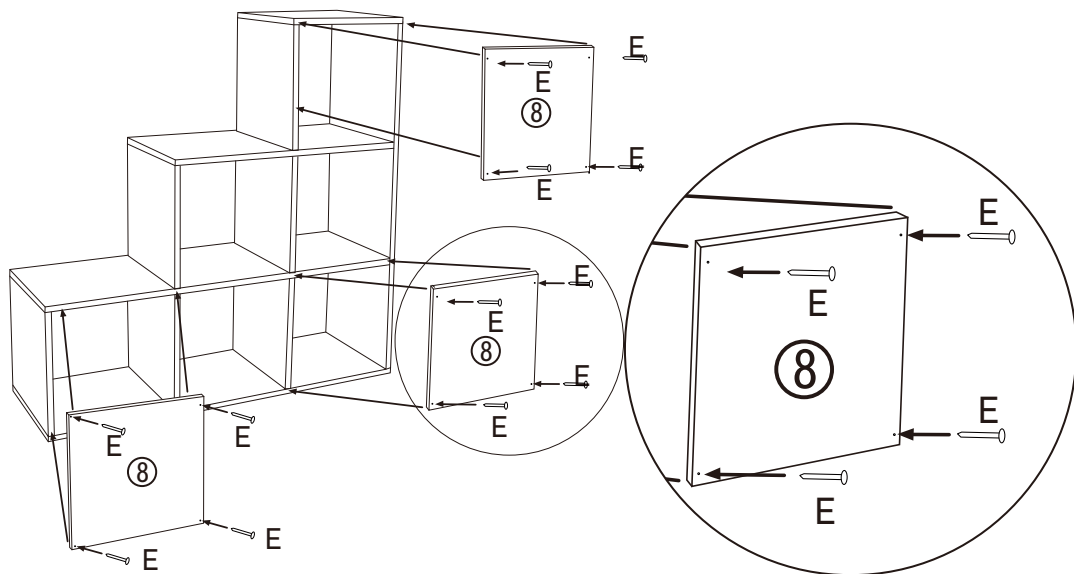


Step 10

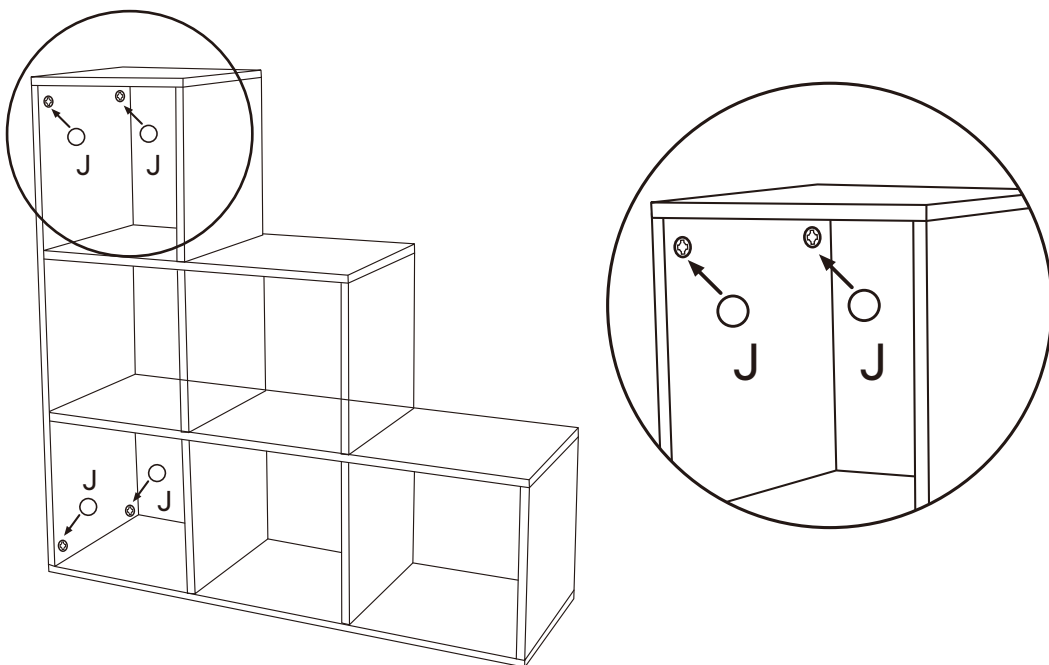


Tighten all the round screws from part C with a screwdriver once assembly is completed.

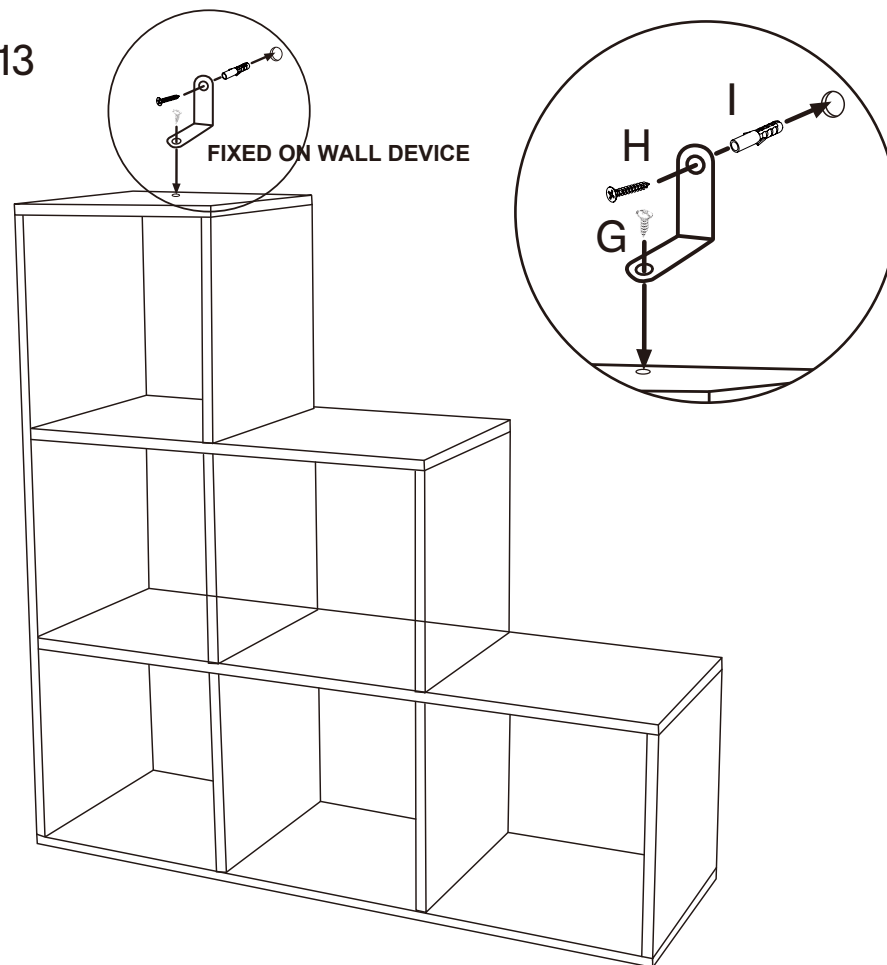
Step 11



Step 12: Use screw sticker J to cover all the screws hole C



Step 13



Assembly Instructions: Please read these instructions carefully. Please ensure you have all parts before you start assembling. Assemble on a clean soft carpeted surface to avoid scratching the surface of the unit. **Warning:** This package contains small parts and sharp points, keep away from children and babies until assembly is completed.

Care Instruction: Wipe clean with a soft damp cloth. Never use scourers, abrasives or chemical solvents. Keep away from moisture and direct sunlight. Store in a dry place. For indoor only. **MAXIMUM SAFE LOAD LIMIT FOR EACH CUBE: 5kg**

User instructions for wall fixings: It is strongly recommended that this product is permanently fixed to the wall. Please seek professional advice if you are in doubt of what fixing device to use. Regularly check that wall fixings are securely maintained. Stability of tall items may be affected by thick pile carpet or uneven floors.

Do not place unanchored televisions on furniture. **Caution:** for your safety when attaching the wall fixings, please note the following: Check any electrical wires or plumbing inside the wall before drilling any holes (if you are unsure please seek professional advice from a qualified tradesperson)