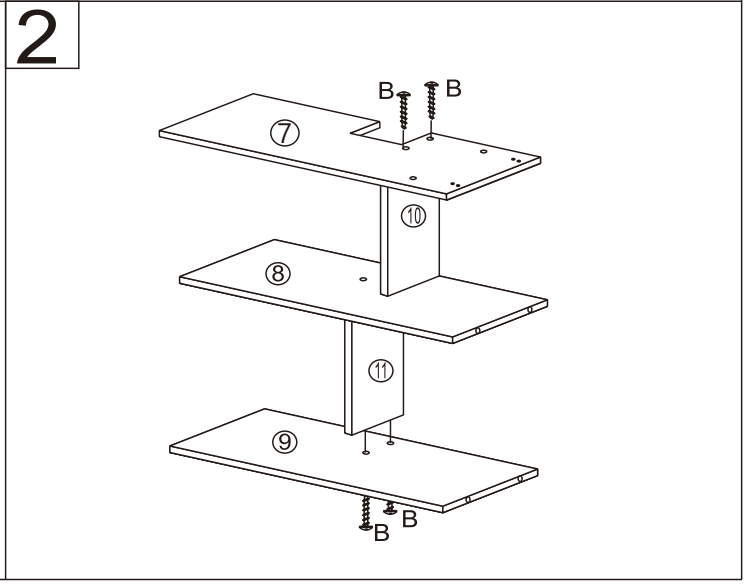
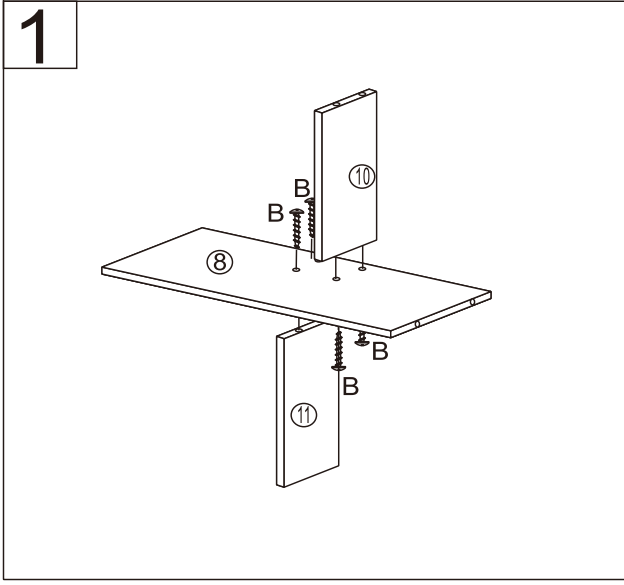
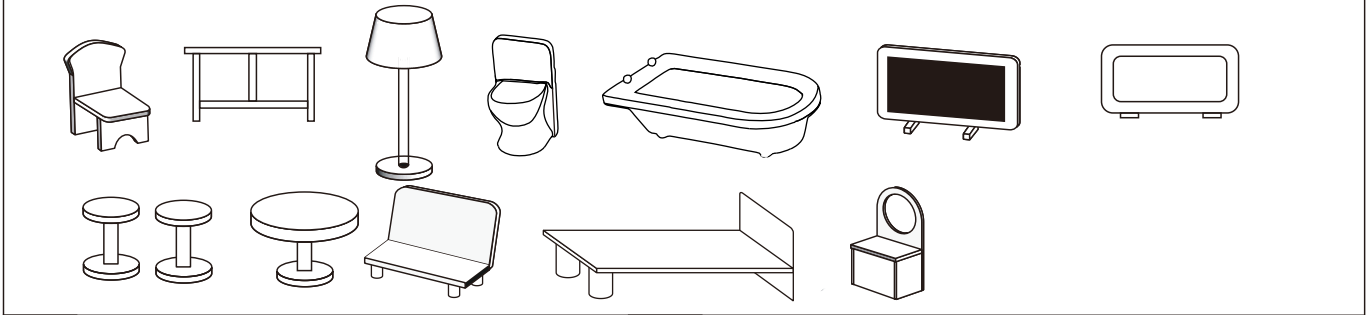
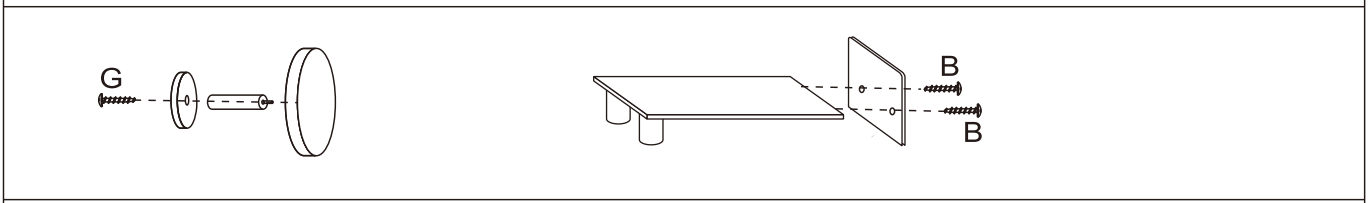
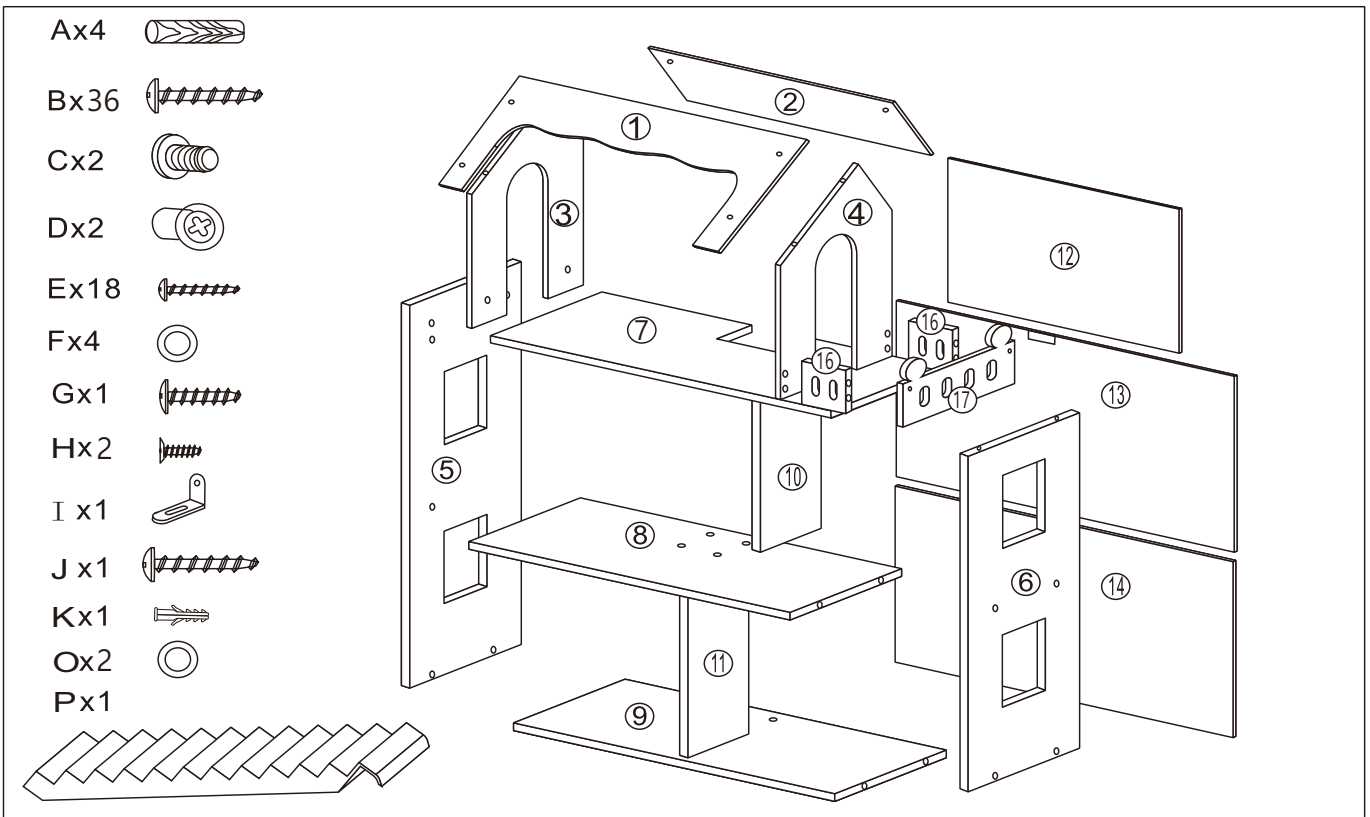


# ASSEMBLY INSTRUCTIONS

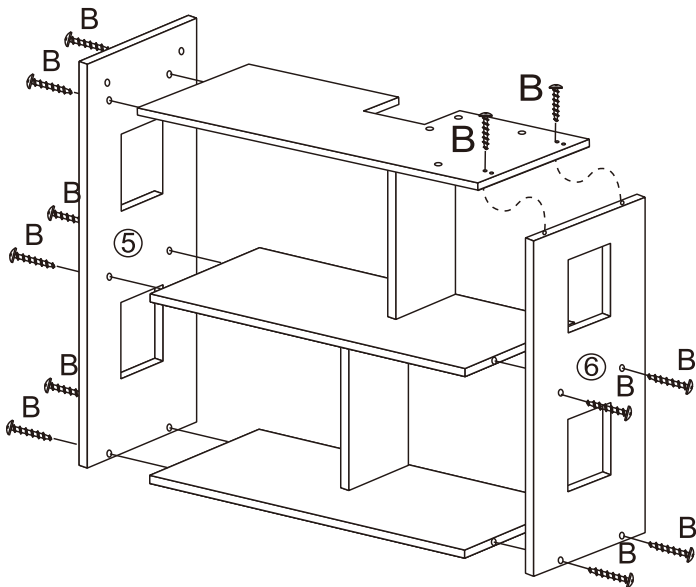


**CAUTION:**  
 ADULT ASSEMBLY REQUIRED. Hardware contains small screws with sharp points. Keep unassembled parts out of the reach of small children.

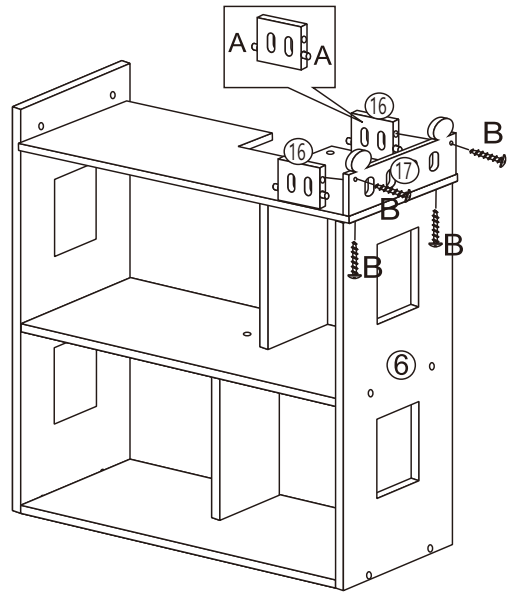


**WARNING:**  
 CHOKING HAZARD. Small parts and sharp points, not suitable for children under 3 years.

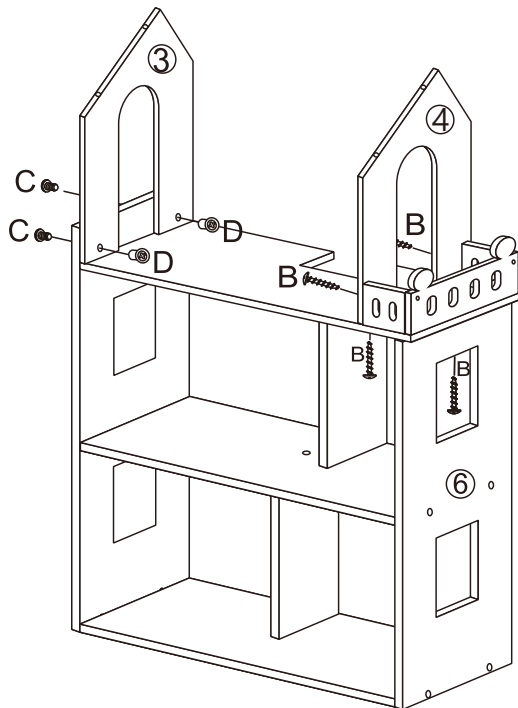
3



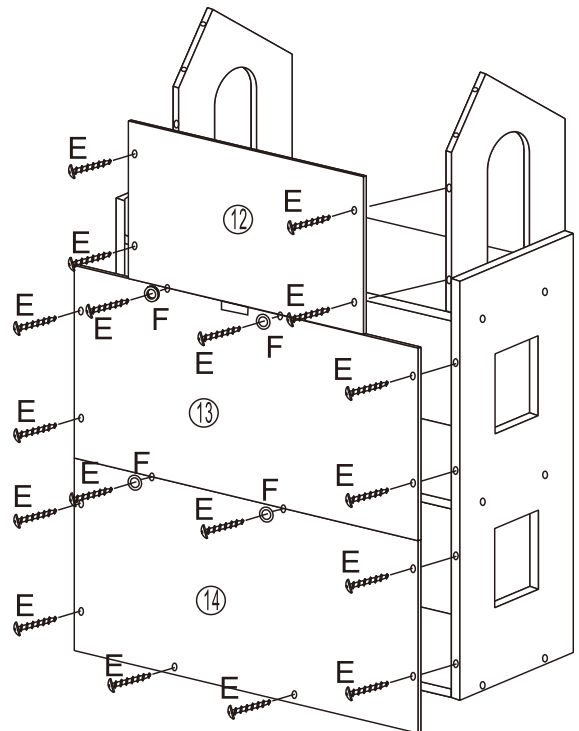
4



5



6



**CAUTION:**

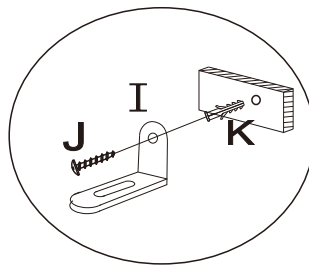
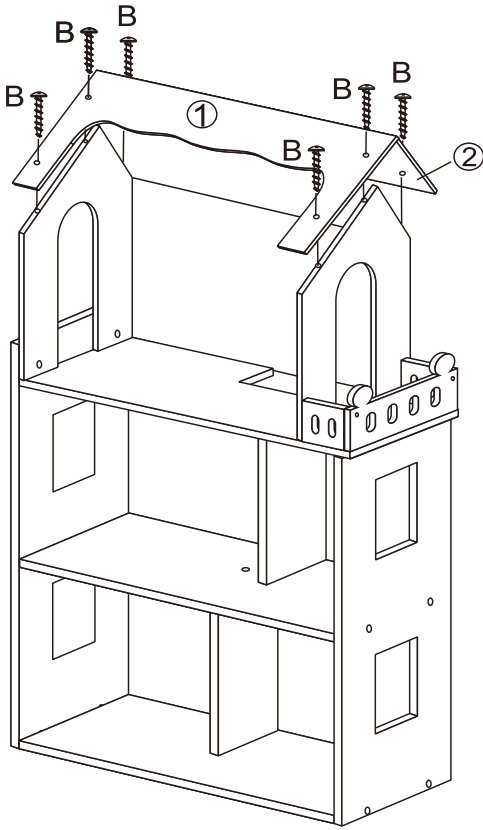
ADULT ASSEMBLY REQUIRED. Hardware contains small screws with sharp points. Keep unassembled parts out of the reach of small children.



**WARNING:**

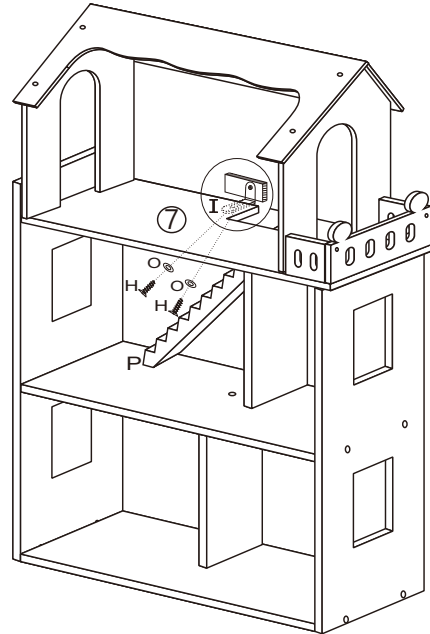
CHOKING HAZARD. Small parts and sharp points, not suitable for children under 3 years.

7

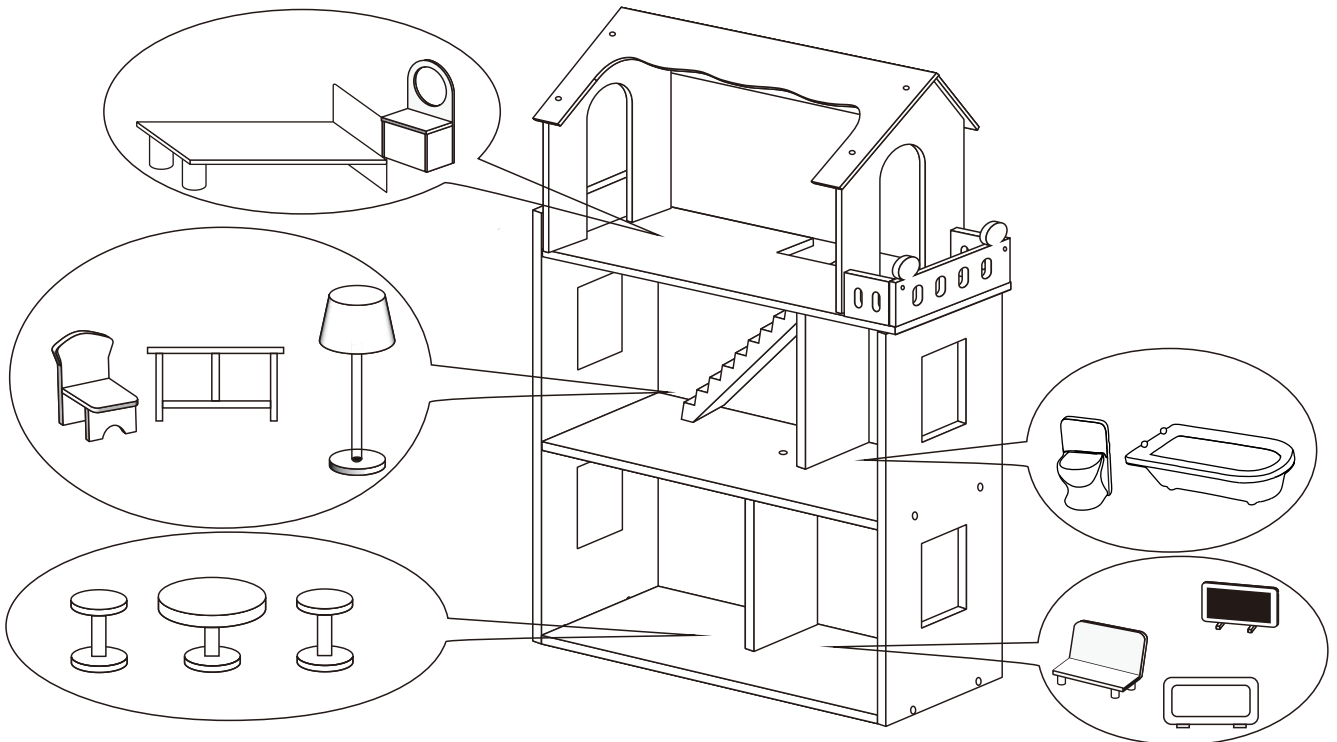


Assemble I to wall at suitable location first, and then assemble part I to part 7.

8



9



**CAUTION:**

ADULT ASSEMBLY REQUIRED. Hardware contains small screws with sharp points. Keep unassembled parts out of the reach of small children.



**WARNING:**

CHOKING HAZARD. Small parts and sharp points, not suitable for children under 3 years.