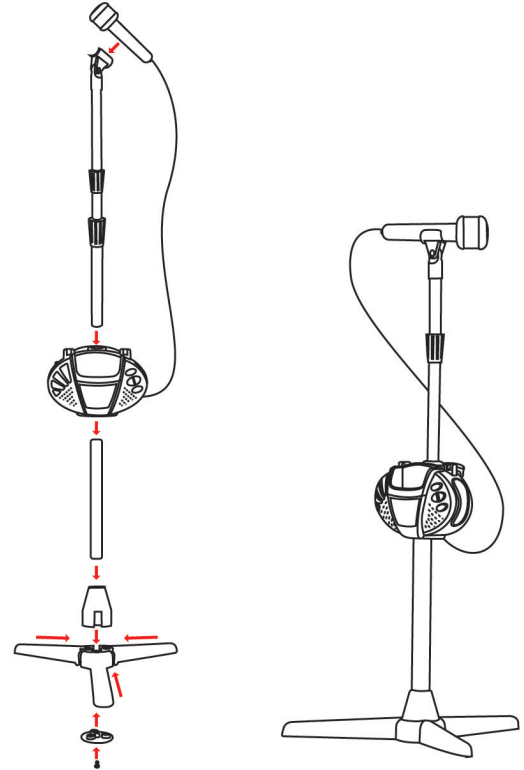
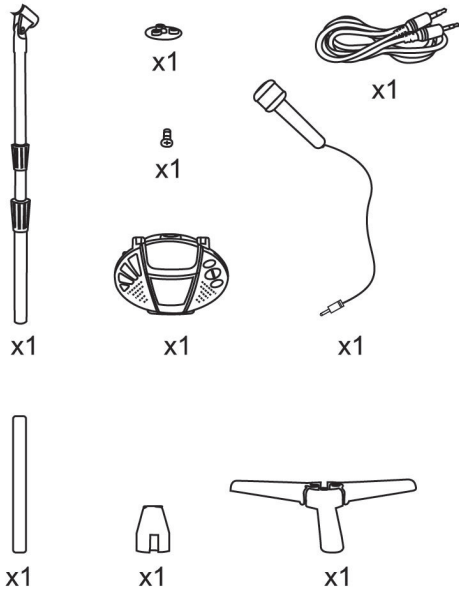


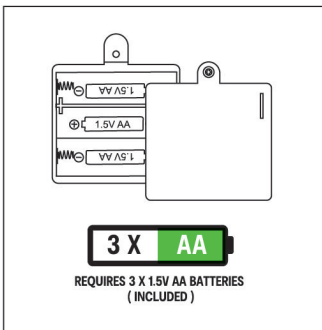
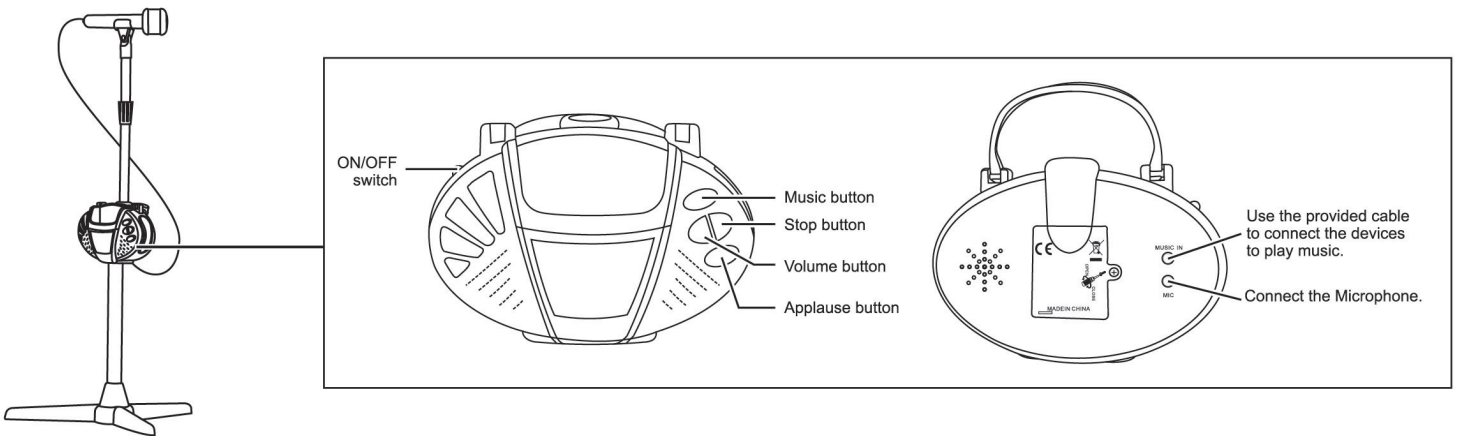
COOL KIDZ MIC STAND

INSTRUCTION MANUAL

Installation diagram:



Button function description:



CAUTION: BATTERY INSTALLATION BY AN ADULT IS REQUIRED.

WARNING: BATTERIES ARE TO BE INSERTED WITH THE CORRECT POLARITY. DO NOT MIX DIFFERENT TYPES OF BATTERIES OR NEW AND USED BATTERIES. NON-RECHARGEABLE BATTERIES ARE NOT TO BE RECHARGED. RECHARGEABLE BATTERIES ARE ONLY TO BE CHARGED UNDER ADULT SUPERVISION. RECHARGEABLE BATTERIES ARE TO BE REMOVED FROM THE TOY BEFORE BEING CHARGED. THE SUPPLY TERMINALS ARE NOT TO BE SHORT-CIRCUITED. REMOVE BATTERIES FROM THE TOY WHEN NOT IN USE FOR EXTENDED TIME OR WHEN BATTERIES BECOME EXHAUSTED. BATTERY INSTALLATION BY AN ADULT IS REQUIRED. DISPOSE OF BATTERIES RESPONSIBLY. DO NOT DISPOSE OF IN FIRE.

Keycode: 42742302

ADULT SUPERVISION REQUIRED. PRODUCT MAY VARY FROM THE IMAGE SHOWN. PLEASE KEEP THE PACKAGING FOR FUTURE REFERENCE.

MADE IN CHINA

ANKO AND KIDS&CO. ARE TRADEMARKS OF KMART AUSTRALIA LIMITED.

WARNING: CHOKING HAZARD
SMALL PARTS. NOT SUITABLE FOR CHILDREN UNDER 3 YEARS.