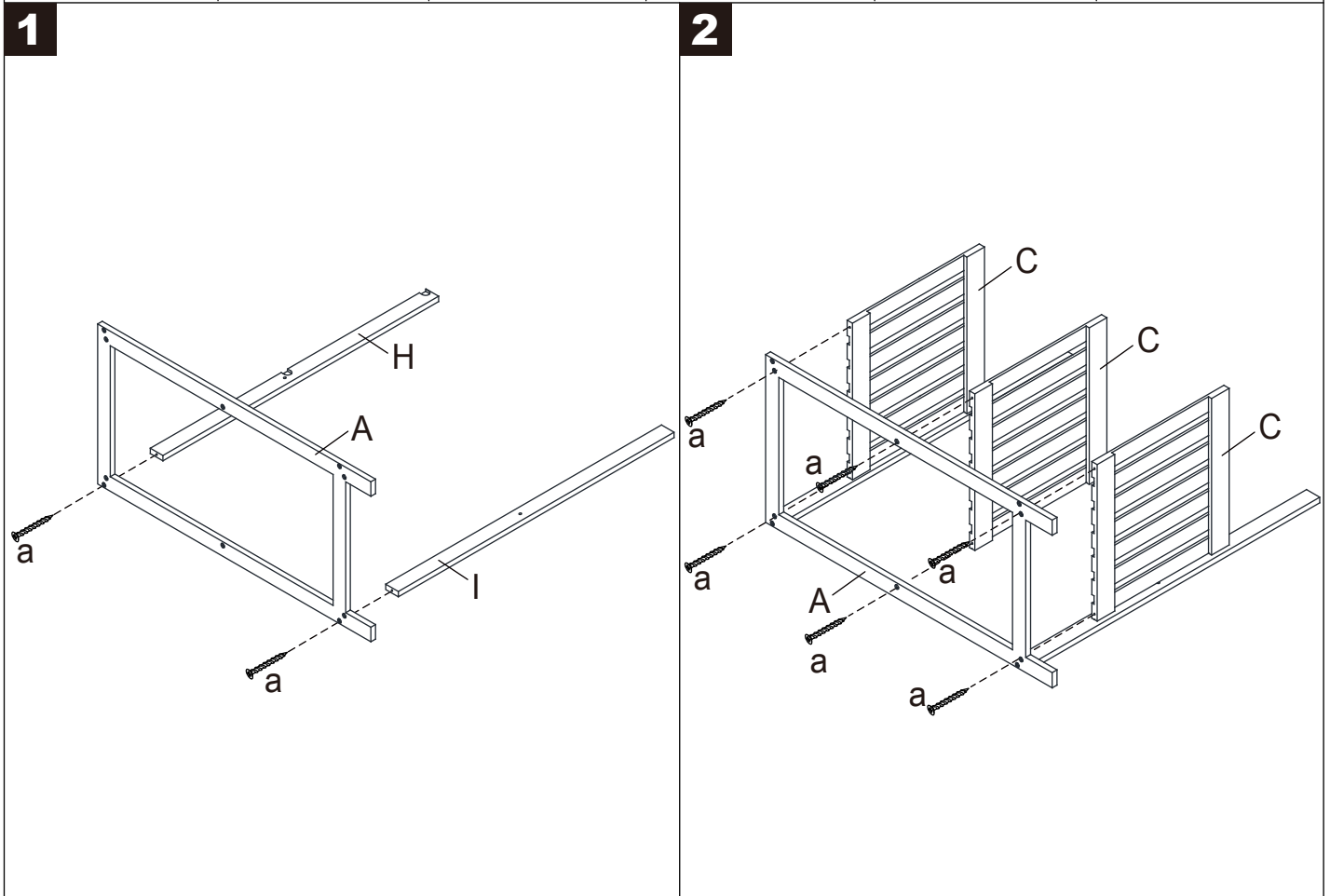


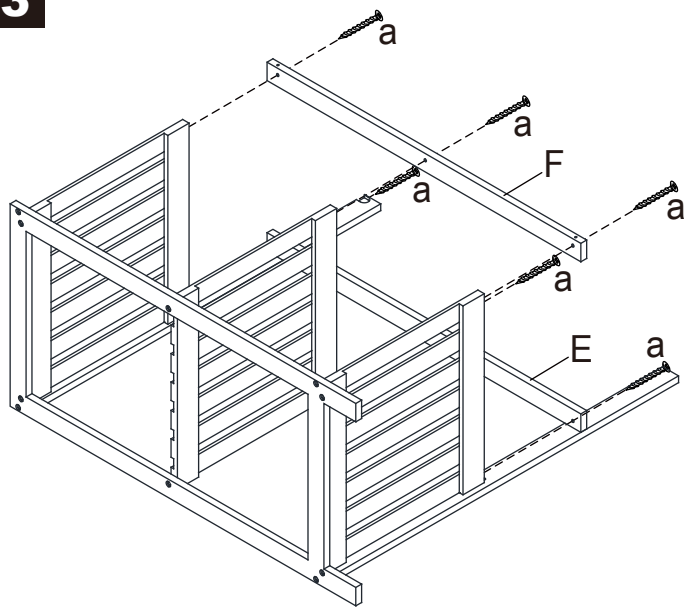
# Assembly Instructions

TOOLS REQUIRED: PHILLIPS HEAD SCREWDRIVER

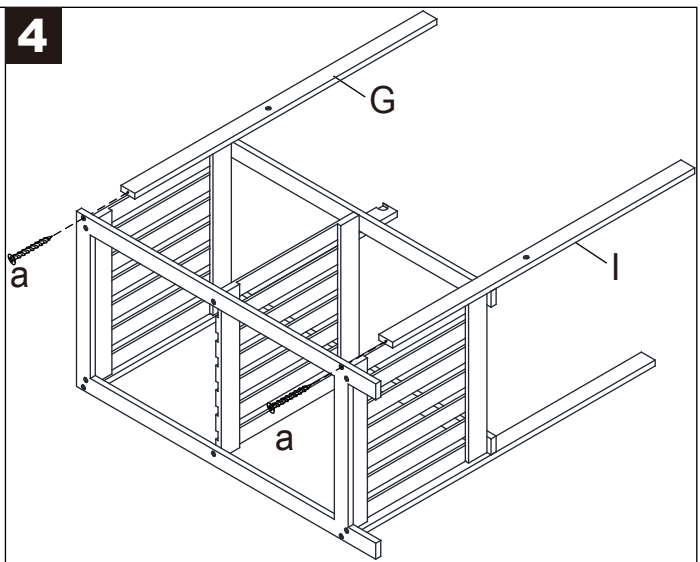
	Ax 1	Bx 1	Cx 1					
	Dx 1	Ex 1	Fx 1					
			Gx 1	Hx 1	Ix 2	Jx 2	ax 22	Not included



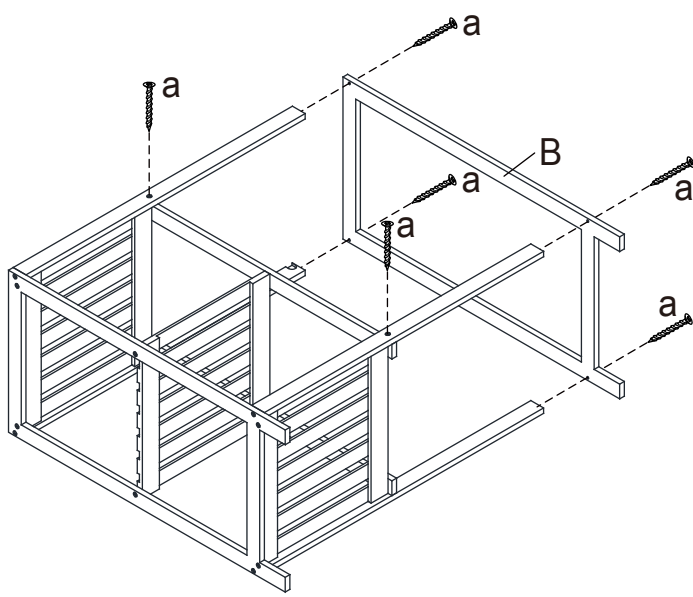
**3**



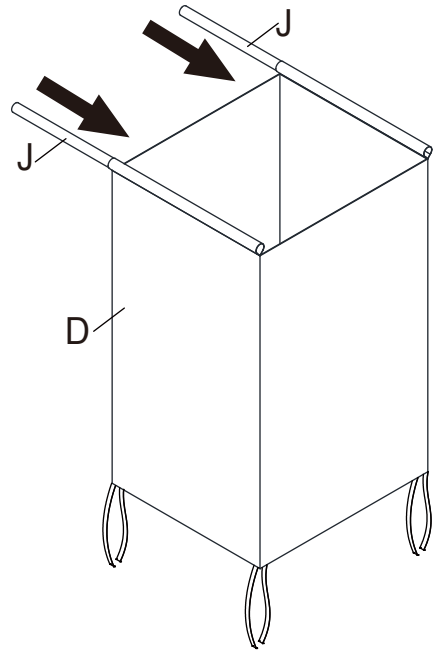
**4**



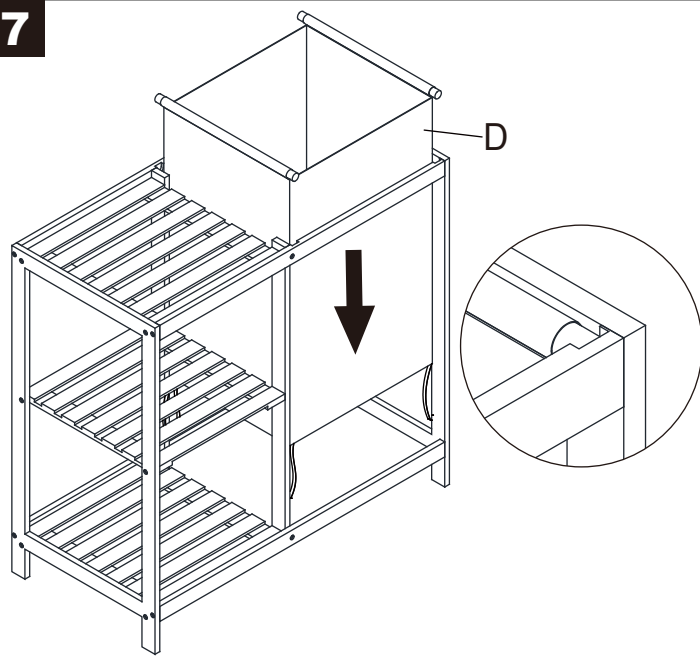
**5**



**6**



**7**



**8**

