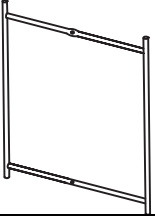
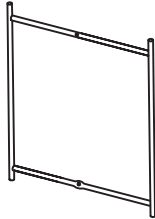







42767503 METAL TRAY TABLE

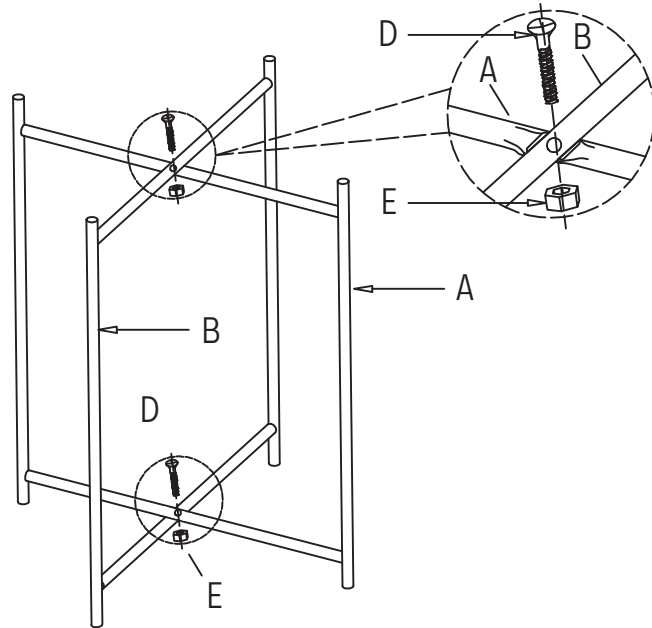
Assembly Instructions

Please read instructions carefully. Remove all parts from the carton. Be sure you have all parts before you start assembling. Place all parts on a clean and flat soft surface, such as carpet or a rug to prevent from being scratched.

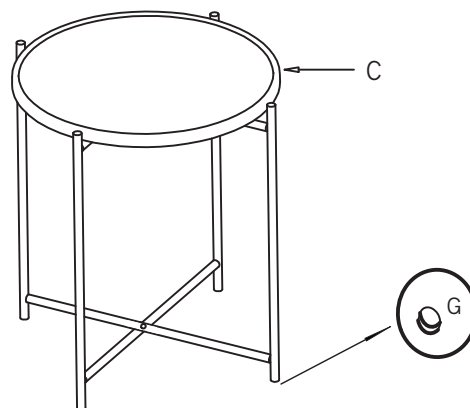
Assembly by an Adult required

A		1 pc
B		1 pc
C		1 pc
D	 M4*20	2 pcs
E	 M4	2 pcs
F		1 pc
G		2 pcs

Step 1 : Fasten leg tubes (Part A & B) by screws (Part D, E). Do not tighten all screws until assembly is complete.



Step 2 : Ensure all the screws have been tightened, put the table tray (Part C) on the leg frame (step 1), the assembly is completed.



Please note: If the table is unstable after assembly, adjust by adding Part G under the legs.

CARE INSTRUCTIONS:

WIPE CLEAN WITH A DAMP CLOTH.

DO NOT USE ABRASIVE MATERIALS AND SOLVENTS.

STORE IN A DRY PLACE

WARNING :

1) DO NOT STAND OR SIT ON THE TABLE.

2) ENSURE TABLE IS USED ON EVEN, FLAT GROUND.

3) DO NOT USE THE TABLE UNLESS ALL BOLTS , SCREWS AND KNOBS ARE FIRMLY SECURED.

4) DO NOT USE THE TABLE AS A STEP LADDER.

5) FOR DOMESTIC USE ONLY.

MAXIMUM LOADING WEIGHT: 15KG

FAILURE TO FOLLOW THESE WARNINGS COULD RESULT IN SERIOUS INJURY.