

Assembly Instructions

PLEASE READ THESE INSTRUCTIONS CAREFULLY. PLEASE ENSURE YOU HAVE ALL PARTS BEFORE YOU START ASSEMBLING. ASSEMBLE ON A CLEAN SOFT CARPETED SURFACE TO AVOID SCRATCHING THE SURFACE OF THE UNIT. WARNING: THIS PACKAGE CONTAINS SMALL PARTS AND SHARP POINTS, KEEP AWAY FROM CHILDREN AND BABIES UNTIL ASSEMBLY IS COMPLETED








CARE INSTRUCTION: WIPE CLEAN WITH A SOFT DAMP CLOTH. NEVER USE SCOURERS, ABRASIVES OR CHEMICAL SOLVENTS. KEEP AWAY FROM MOISTURE AND DIRECT SUNLIGHT. STORE IN A DRY PLACE FOR INDOOR ONLY. **MAXIMUM SAFE LOAD LIMIT FOR EACH CUBE: 5kg PER SHELF.**

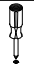
USER INSTRUCTIONS FOR WALL FIXINGS: IT IS STRONGLY RECOMMENDED THAT THIS PRODUCT IS PERMANENTLY FIXED TO THE WALL. PLEASE SEEK PROFESSIONAL ADVICE IF YOU ARE IN DOUBT OF WHAT FIXING DEVICE TO USE. REGULARLY CHECK THAT WALL FIXINGS ARE SECURELY MAINTAINED. STABILITY OF TALL ITEMS MAY BE AFFECTED BY THICK PILE CARPET OR UNEVEN FLOORS.

CAUTION: FOR YOUR SAFETY WHEN ATTACHING THE WALL FIXINGS, PLEASE NOTE THE FOLLOWING: CHECK ANY ELECTRICAL WIRES OR PLUMBING INSIDE THE WALL BEFORE DRILLING ANY HOLES (IF YOU ARE UNSURE PLEASE SEEK PROFESSIONAL ADVICE FROM A QUALIFIED TRADESPERSON)

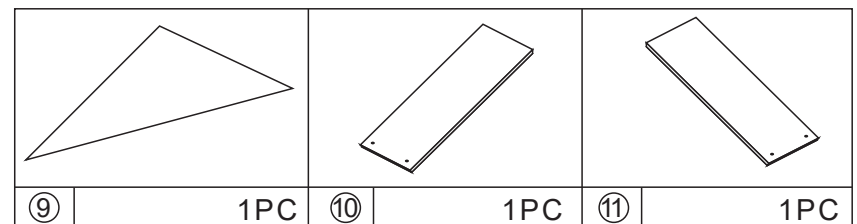
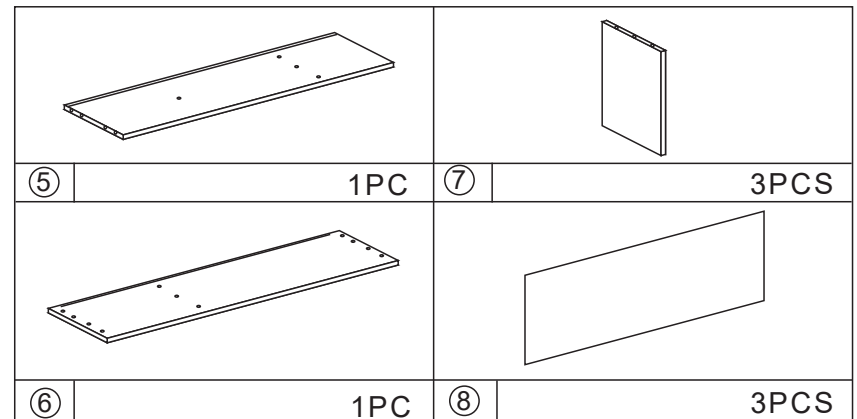
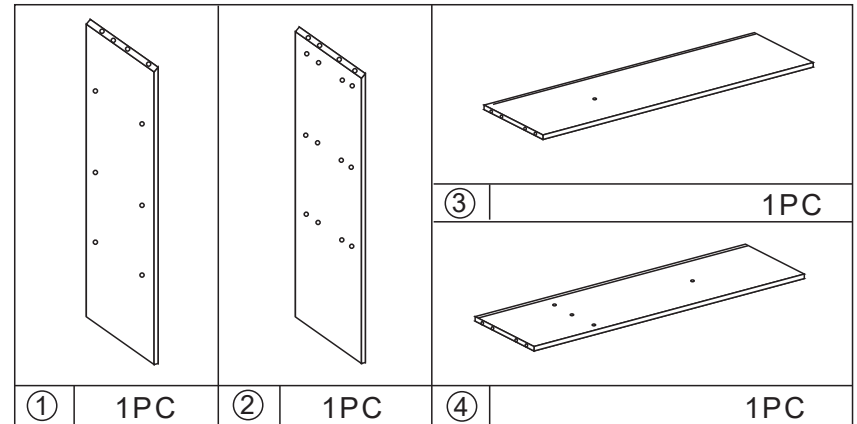
1

Hardware List

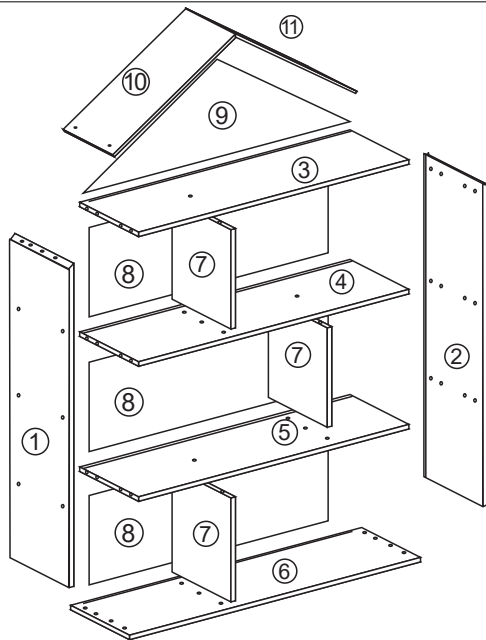
	a	∅4x35mm	26PCS		e		8PCS
	b	∅6x30mm	32PCS		f		2PCS
	c		26PCS		g	20x150mm ∅10x14mm	1PC
	d		1PC				

Tools required not provided	
	Phillips Head Screw Driver

2



3



Assembly Instructions

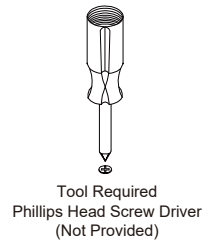
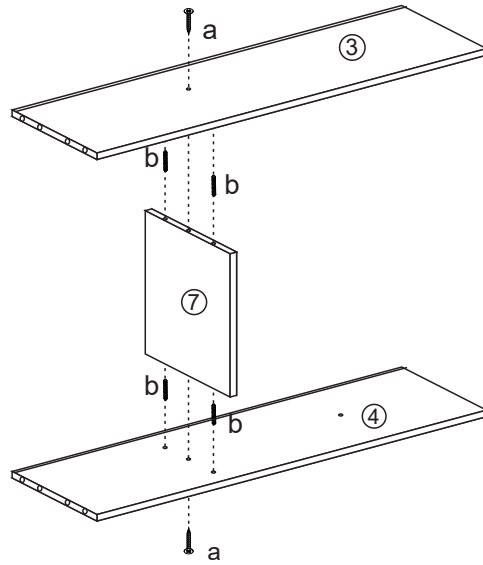
PLEASE READ THESE INSTRUCTIONS CAREFULLY. PLEASE ENSURE YOU HAVE ALL PARTS BEFORE YOU START ASSEMBLING. ASSEMBLE ON A CLEAN SOFT CARPETED SURFACE TO AVOID SCRATCHING THE SURFACE OF THE UNIT. WARNING: THIS PACKAGE CONTAINS SMALL PARTS AND SHARP POINTS, KEEP AWAY FROM CHILDREN AND BABIES UNTIL ASSEMBLY IS COMPLETED

CARE INSTRUCTION: WIPE CLEAN WITH A SOFT DAMP CLOTH. NEVER USE SCOURERS, ABRASIVES OR CHEMICAL SOLVENTS. KEEP AWAY FROM MOISTURE AND DIRECT SUNLIGHT. STORE IN A DRY PLACE FOR INDOOR ONLY. **MAXIMUM SAFE LOAD LIMIT FOR EACH CUBE: 5kg PER SHELF.**

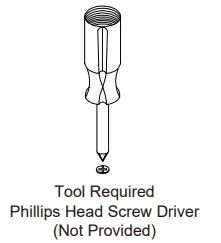
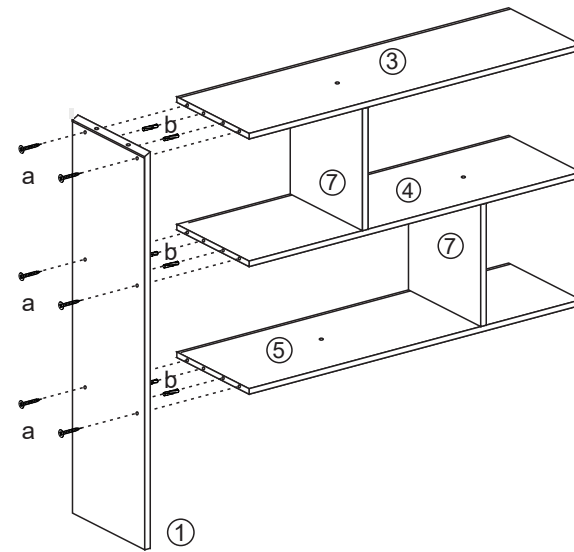
USER INSTRUCTIONS FOR WALL FIXINGS: IT IS STRONGLY RECOMMENDED THAT THIS PRODUCT IS PERMANENTLY FIXED TO THE WALL. PLEASE SEEK PROFESSIONAL ADVICE IF YOU ARE IN DOUBT OF WHAT FIXING DEVICE TO USE. REGULARLY CHECK THAT WALL FIXINGS ARE SECURELY MAINTAINED. STABILITY OF TALL ITEMS MAY BE AFFECTED BY THICK PILE CARPET OR UNEVEN FLOORS.

CAUTION: FOR YOUR SAFETY WHEN ATTACHING THE WALL FIXINGS, PLEASE NOTE THE FOLLOWING: CHECK ANY ELECTRICAL WIRES OR PLUMBING INSIDE THE WALL BEFORE DRILLING ANY HOLES (IF YOU ARE UNSURE PLEASE SEEK PROFESSIONAL ADVICE FROM A QUALIFIED TRADESPERSON)

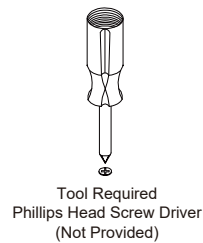
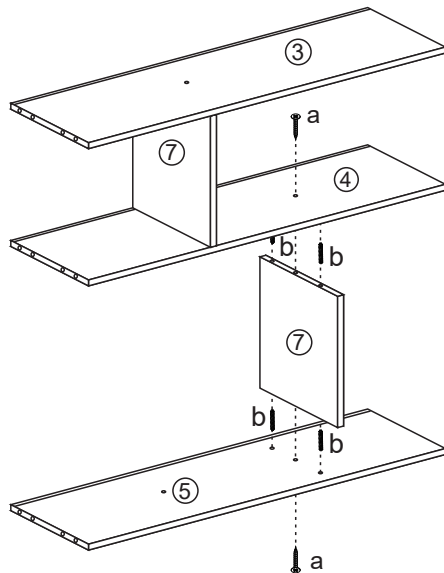
4



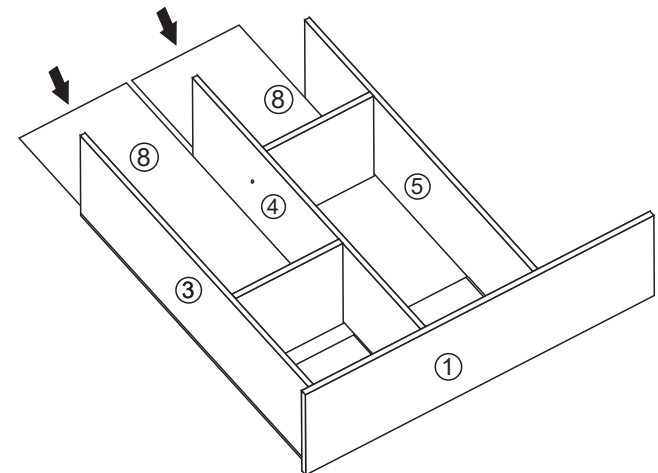
6



5



7



Assembly Instructions

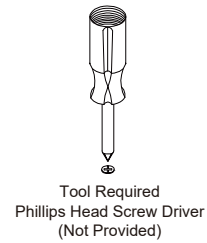
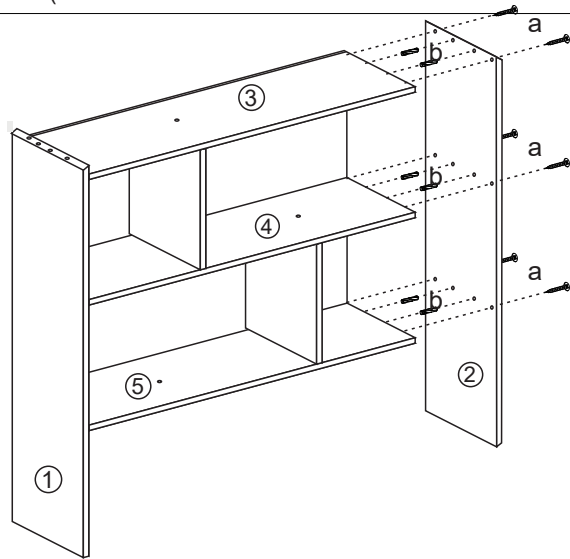
PLEASE READ THESE INSTRUCTIONS CAREFULLY. PLEASE ENSURE YOU HAVE ALL PARTS BEFORE YOU START ASSEMBLING. ASSEMBLE ON A CLEAN SOFT CARPETED SURFACE TO AVOID SCRATCHING THE SURFACE OF THE UNIT. WARNING: THIS PACKAGE CONTAINS SMALL PARTS AND SHARP POINTS, KEEP AWAY FROM CHILDREN AND BABIES UNTIL ASSEMBLY IS COMPLETED

CARE INSTRUCTION: WIPE CLEAN WITH A SOFT DAMP CLOTH. NEVER USE SCOURERS, ABRASIVES OR CHEMICAL SOLVENTS. KEEP AWAY FROM MOISTURE AND DIRECT SUNLIGHT. STORE IN A DRY PLACE FOR INDOOR ONLY. **MAXIMUM SAFE LOAD LIMIT FOR EACH CUBE: 5kg PER SHELF.**

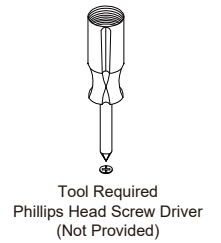
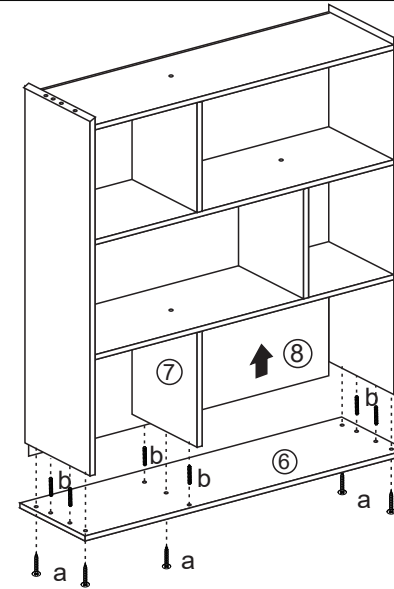
USER INSTRUCTIONS FOR WALL FIXINGS: IT IS STRONGLY RECOMMENDED THAT THIS PRODUCT IS PERMANENTLY FIXED TO THE WALL. PLEASE SEEK PROFESSIONAL ADVICE IF YOU ARE IN DOUBT OF WHAT FIXING DEVICE TO USE. REGULARLY CHECK THAT WALL FIXINGS ARE SECURELY MAINTAINED. STABILITY OF TALL ITEMS MAY BE AFFECTED BY THICK PILE CARPET OR UNEVEN FLOORS.

CAUTION: FOR YOUR SAFETY WHEN ATTACHING THE WALL FIXINGS, PLEASE NOTE THE FOLLOWING: CHECK ANY ELECTRICAL WIRES OR PLUMBING INSIDE THE WALL BEFORE DRILLING ANY HOLES (IF YOU ARE UNSURE PLEASE SEEK PROFESSIONAL ADVICE FROM A QUALIFIED TRADESPERSON)

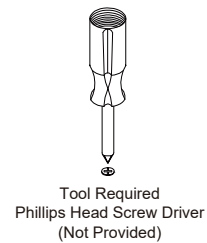
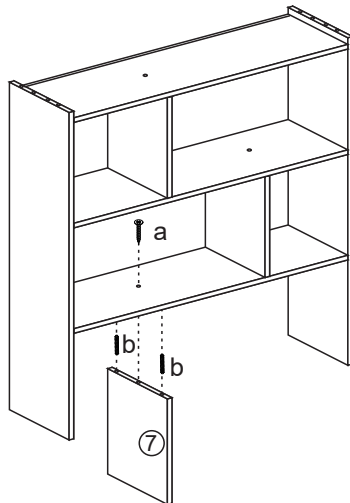
8



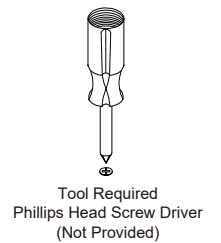
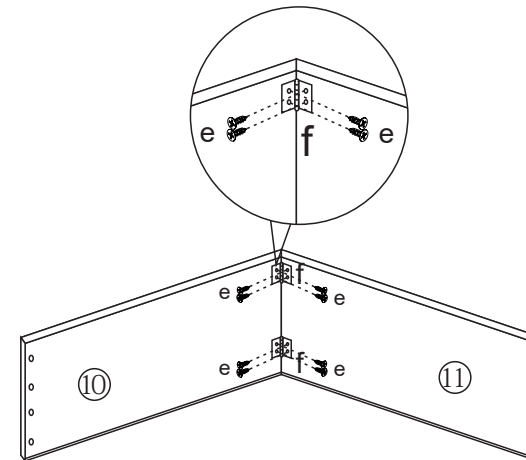
10



9



11



Assembly Instructions

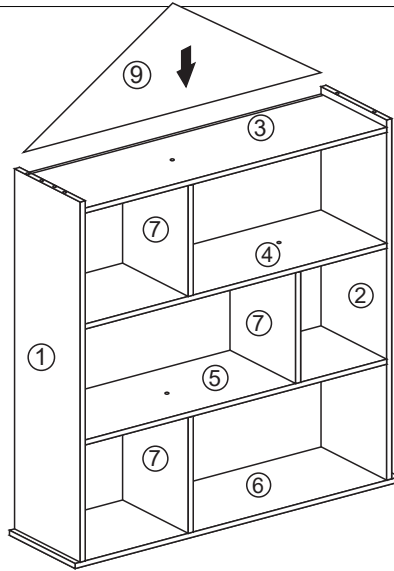
PLEASE READ THESE INSTRUCTIONS CAREFULLY. PLEASE ENSURE YOU HAVE ALL PARTS BEFORE YOU START ASSEMBLING. ASSEMBLE ON A CLEAN SOFT CARPETED SURFACE TO AVOID SCRATCHING THE SURFACE OF THE UNIT. WARNING: THIS PACKAGE CONTAINS SMALL PARTS AND SHARP POINTS, KEEP AWAY FROM CHILDREN AND BABIES UNTIL ASSEMBLY IS COMPLETED

CARE INSTRUCTION: WIPE CLEAN WITH A SOFT DAMP CLOTH. NEVER USE SCOURERS, ABRASIVES OR CHEMICAL SOLVENTS. KEEP AWAY FROM MOISTURE AND DIRECT SUNLIGHT. STORE IN A DRY PLACE FOR INDOOR ONLY. **MAXIMUM SAFE LOAD LIMIT FOR EACH CUBE: 5kg PER SHELF.**

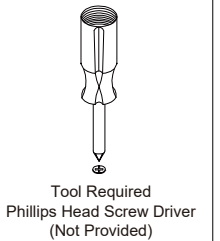
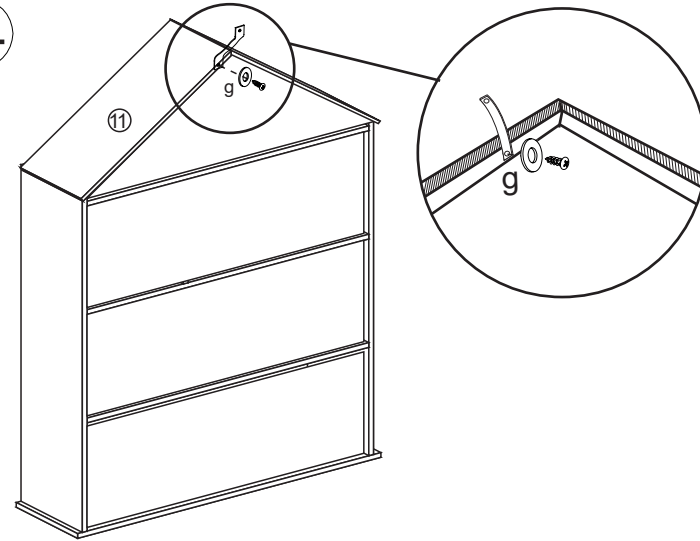
USER INSTRUCTIONS FOR WALL FIXINGS: IT IS STRONGLY RECOMMENDED THAT THIS PRODUCT IS PERMANENTLY FIXED TO THE WALL. PLEASE SEEK PROFESSIONAL ADVICE IF YOU ARE IN DOUBT OF WHAT FIXING DEVICE TO USE. REGULARLY CHECK THAT WALL FIXINGS ARE SECURELY MAINTAINED. STABILITY OF TALL ITEMS MAY BE AFFECTED BY THICK PILE CARPET OR UNEVEN FLOORS.

CAUTION: FOR YOUR SAFETY WHEN ATTACHING THE WALL FIXINGS, PLEASE NOTE THE FOLLOWING: CHECK ANY ELECTRICAL WIRES OR PLUMBING INSIDE THE WALL BEFORE DRILLING ANY HOLES (IF YOU ARE UNSURE PLEASE SEEK PROFESSIONAL ADVICE FROM A QUALIFIED TRADESPERSON)

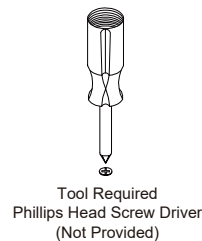
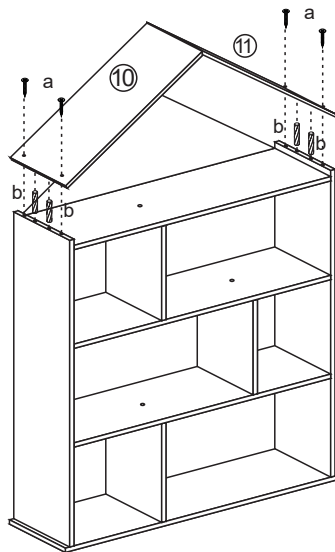
12



14



13



15

MAX LOADING: 5kg PER SHELF

MATERIAL: PARTICLE BOARD

WARNING: DO NOT STAND, SIT OR LEAN ON THIS UNIT. DO NOT USE THIS UNIT AS A STEP LADDER. ENSURE THIS UNIT IS USED ON A FLAT SURFACE. DO NOT USE THIS UNIT UNLESS ALL BOLTS AND SCREWS ARE FIRMLY SECURED. DO NOT PLACE HOT OBJECTS SUCH AS HOT COFFEE CUPS DIRECTLY ON THE SURFACE OF THIS FURNITURE ITEM. FAILURE TO FOLLOW THESE WARNINGS COULD RESULT IN SERIOUS INJURY.



WARNING: PLEASE SECURE YOUR FURNITURE WITH THE SUPPLIED WALL FIXING. SCAN THE CODE FOR MORE INFORMATION.



MADE IN CHINA

ANKO, KIDS&CO. AND ROOMATES® ARE TRADEMARKS OF KMART AUSTRALIA LIMITED.

FIXED ON WALL DEVICE

