

Assembly Instruction

CARE INSTRUCTIONS:

WIPE CLEAN WITH A DRY CLOTH. DO NOT USE ABRASIVE MATERIALS AND SOLVENTS. CHECK AND TIGHTEN ALL PARTS REGULARLY. DO NOT PLACE HOT ITEMS SUCH AS COFFEE CUPS DIRECTLY ON THE SURFACE. KEEP AWAY FROM WATER AND DIRECT SUNLIGHT. STORE IN A DRY PLACE. FOR DOMESTIC & INDOOR USE ONLY. A MILD ODOUR MAY BE PRESENT WHEN FIRST OPENING THIS CARTON. SIMPLY ALLOW TO AIR OUTSIDE AND THIS WILL FADE.





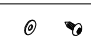
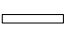



WARNING:



DO NOT STAND OR SIT ON THIS UNIT. DO NOT USE THIS UNIT UNLESS ALL BOLTS AND SCREWS ARE FIRMLY SECURED. DO NOT KNOCK OR DRAG THIS UNIT. USE ONLY ON A FLAT SURFACE. ADULT ASSEMBLY REQUIRED. FAILURE TO FOLLOW THESE WARNINGS COULD RESULT IN SERIOUS INJURY. LOAD DRAWER EVENLY TO PREVENT FROM TIPPING OVER. THIS PACKAGE CONTAINS SMALL PARTS AND SHARP POINTS. KEEP AWAY FROM CHILDREN AND BABIES.

MAXIMUM SAFE LOAD: 10KG FOR TOP PANEL, 5KG FOR INSIDE DRAWER.

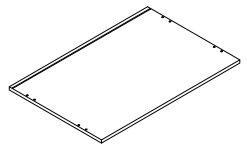
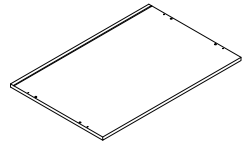
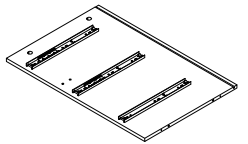
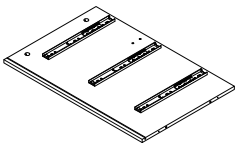
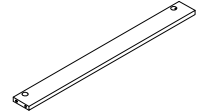
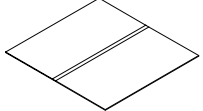
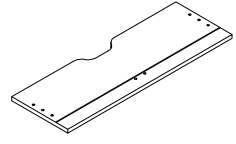
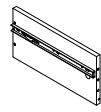
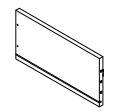
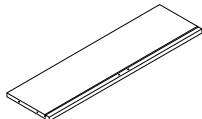
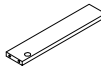
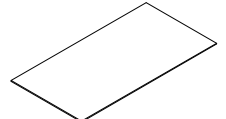
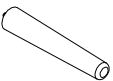
1

Hardware List

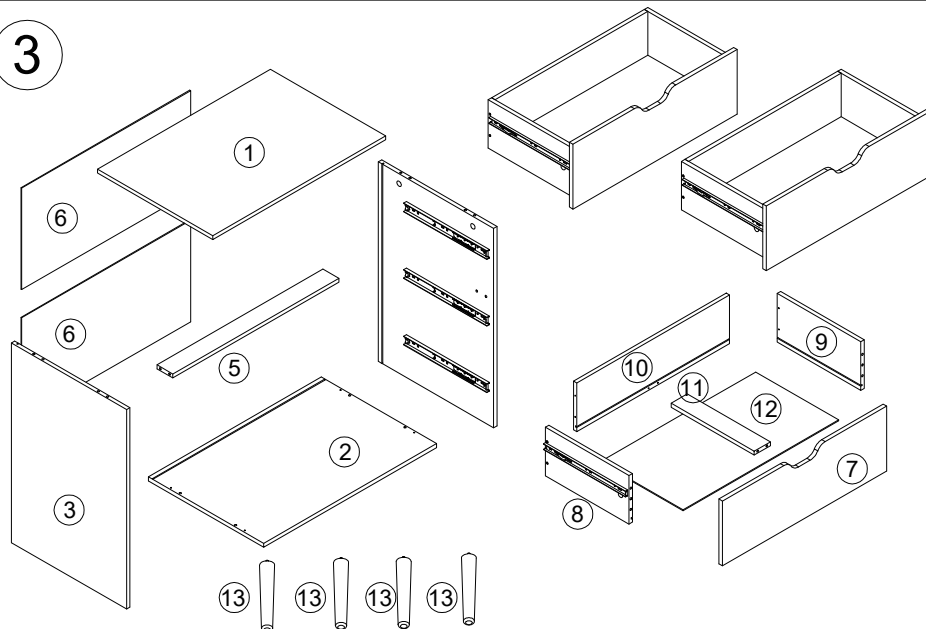
| | | | |
|---|---|------------------|-------|
|  | a | 6x35mm | 15pcs |
|  | b | 15x9.5mm | 15pcs |
|  | c | 6x30mm | 25pcs |
|  | d | 6x30mm 4x35mm | 1pc |
|  | e | 4x12mm | 1pc |
|  | f | 20x150mm | 1pc |
|  | g | 74x73x14mm | 4pcs |
|  | h | 4x14mm | 20pcs |
|  | i | 4x35mm | 22pcs |

| | | | |
|---|---|--------|------|
|  | j | | 4pcs |
|  | k | 3x16mm | 4pcs |

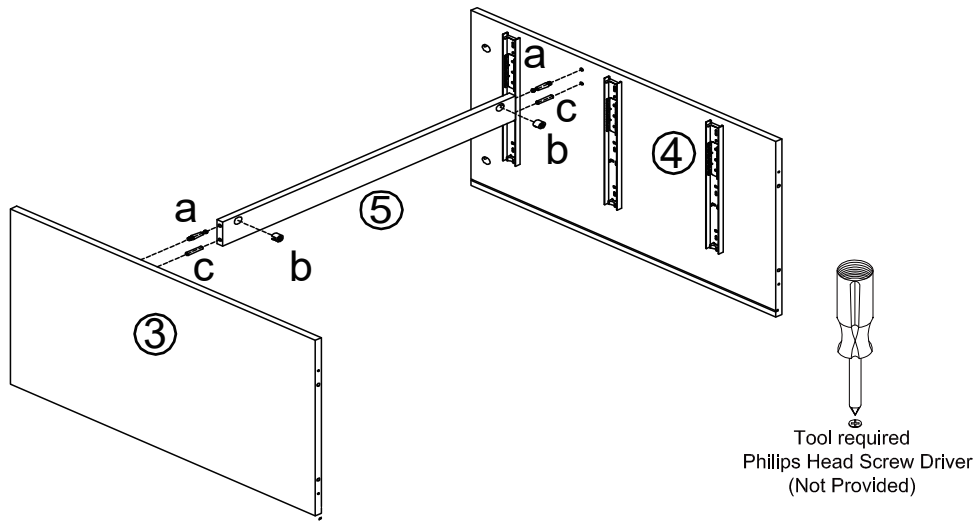
2

| | | | | | | | | |
|---|---|------|---|---|------|---|---|------|
|  | ① | 1PC |  | ② | 1PC |  | ③ | 1PC |
|  | ④ | 1PC |  | ⑤ | 1PC |  | ⑥ | 1PC |
|  | ⑦ | 3PCS |  | ⑧ | 3PCS |  | ⑨ | 3PCS |
|  | ⑩ | 3PCS |  | ⑪ | 3PCS |  | ⑫ | 3PCS |
|  | ⑬ | 4PCS | | | | | | |

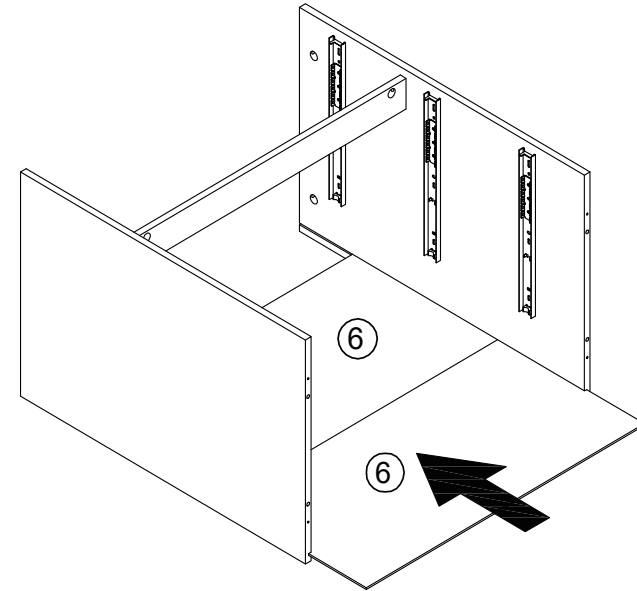
3



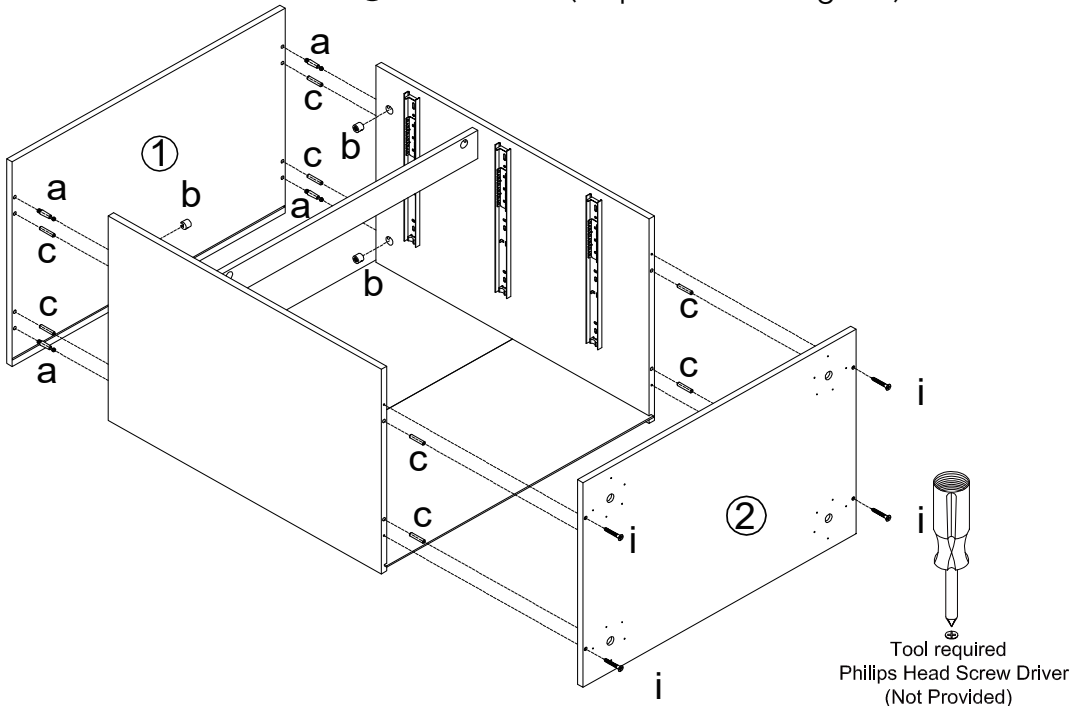
Step 1: Fix screw a onto board ③ & ④, and put part b & c into the corresponding position (as per below diagram). Then fix the part b with a by screwdriver. Ensure all parts align.



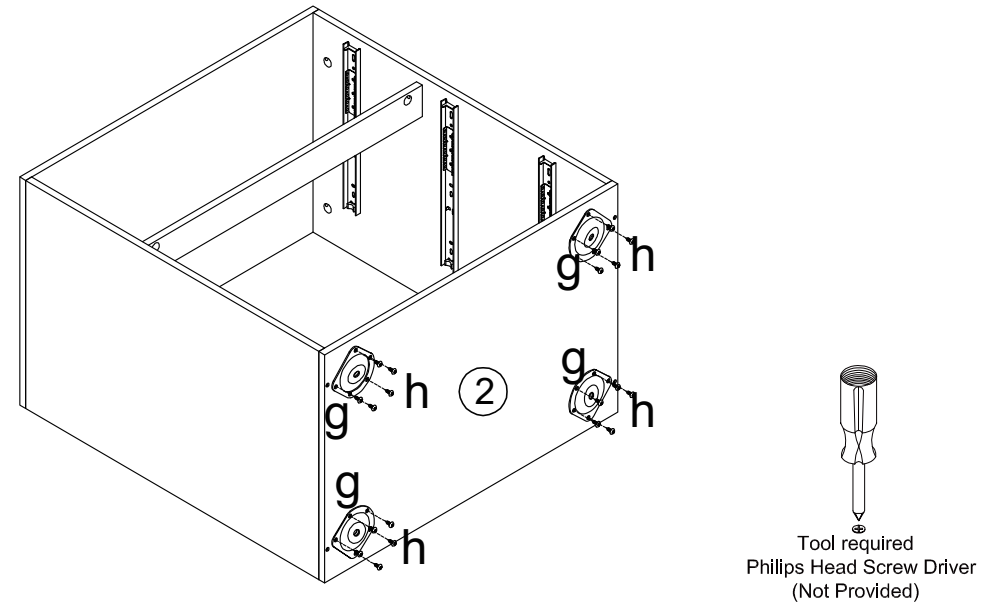
Step 2: Slide board ⑥ into the corresponding position (as per below diagram). Ensure it is fully fitted in the groove.



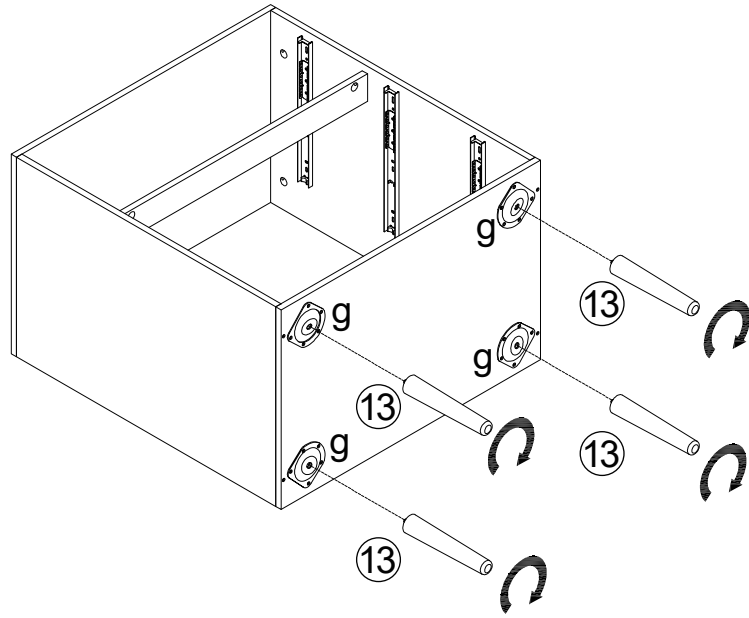
Step 3: Fix screw a onto board ① and put part b & c into the corresponding position (as per below diagram). Fix the part b with a screwdriver. Fix board ② with screw i (as per below diagram).



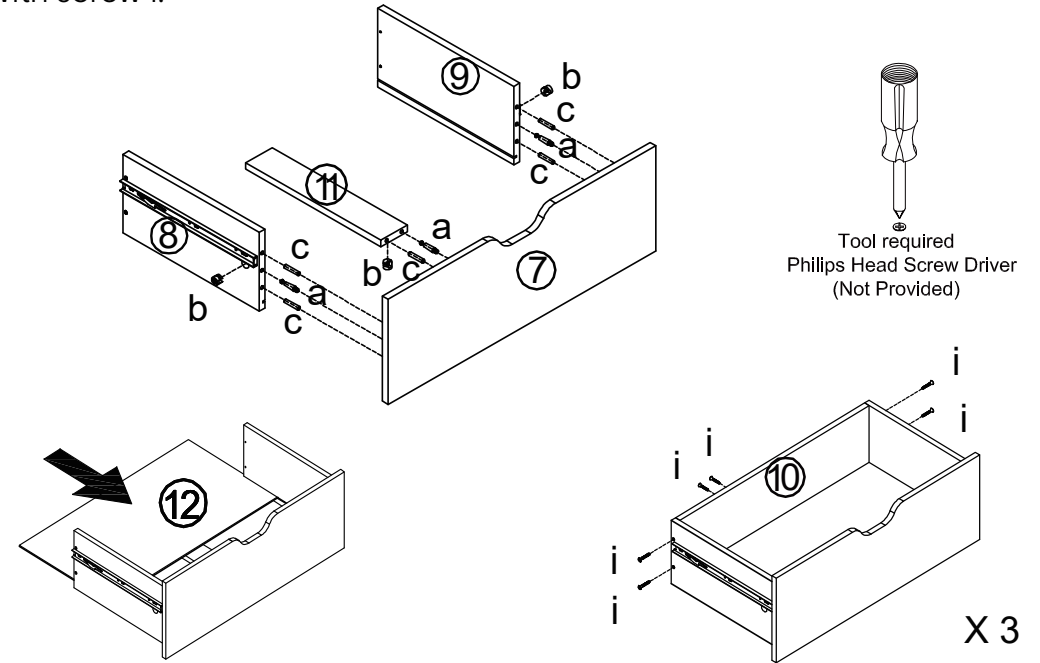
Step 4: Fix Part g onto board ② with screws (Part h).



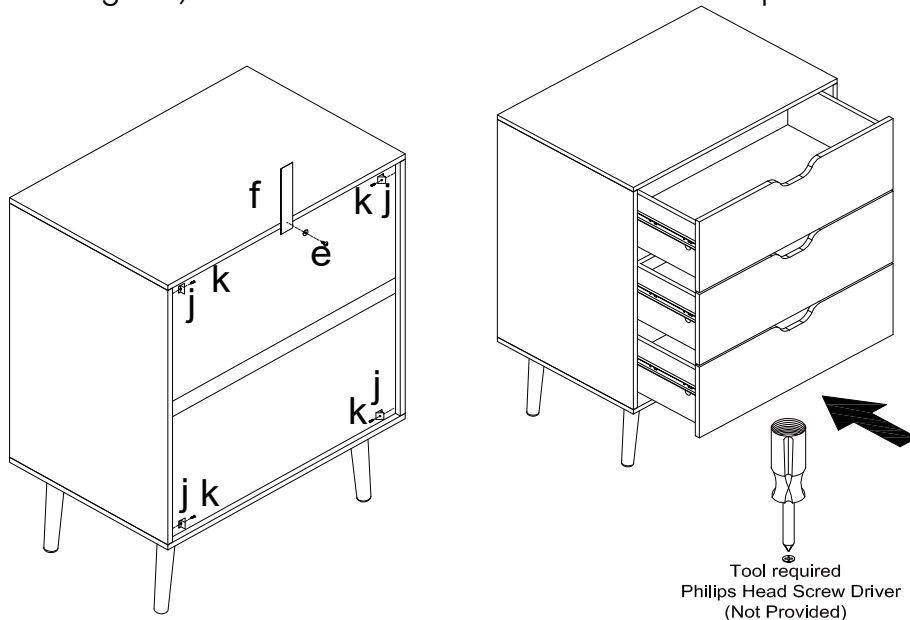
Step 5: Fix the legs (Part 13) into Part g from step 4.



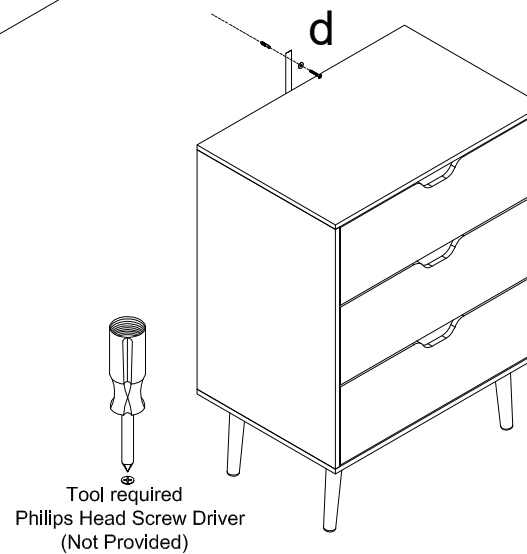
Step 6: Fix screw a onto board ⑦, and put part b & c into the corresponding position (as per below diagram). Then fix board ⑧, ⑨, ⑪ to board ⑦ by tightening part b. Slide board ⑫ into the corresponding position, fix board ⑩ with screw i.



Step 7: Fix part j & f with screw k & e at the back of the unit (as per below diagram). Slide the drawers into the unit to complete.



Step 8: Fix this product to the wall with screw d.



TOPPLING FURNITURE WARNING:

- > It is strongly recommended that this product is permanently fixed to the wall.
 - > Please seek professional advice if you are in doubt of what fixing device to use.
 - > Regularly check that anchors are securely maintained.
 - > Stability of tall items may be affected by thick pile carpet or uneven floors.
 - > Do not place unanchored televisions on furniture.
- Caution!** When attaching the anchor fixings, check for any electrical wires or plumbing behind the wall before drilling any holes (if you are unsure, please seek professional advice from a qualified tradesperson).