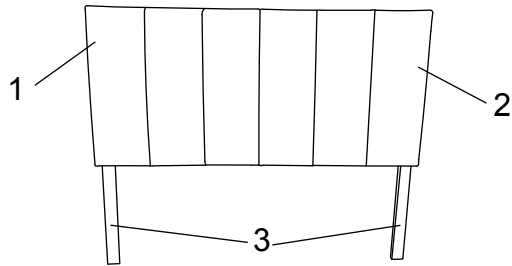


Assembly Instruction

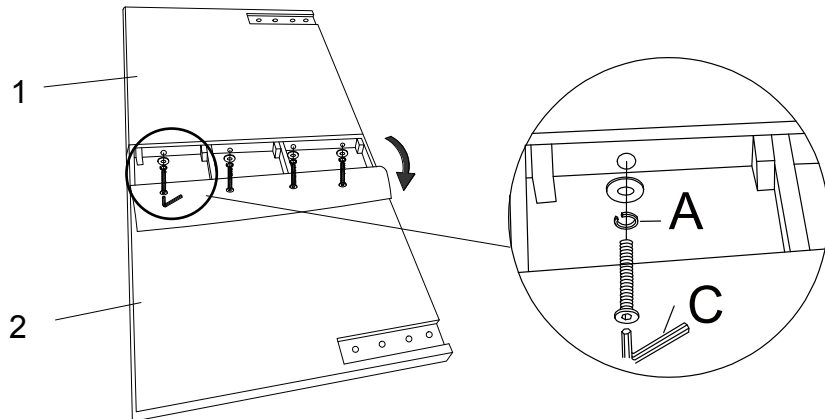
CARE INSTRUCTIONS: WIPE WITH A DRY CLOTH. DO NOT USE ABRASIVE MATERIALS AND SOLVENTS. CHECK AND TIGHTEN ALL PARTS REGULARLY. KEEP AWAY FROM WATER AND DIRECT SUNLIGHT. STORE IN A DRY PLACE. FOR INDOOR USE ONLY. FOR DOMESTIC USE ONLY.
WARNING: DO NOT STAND ON THE BEDHEAD SURFACE. TIGHTEN ALL THE SCREWS BEFORE USE. FAILURE TO FOLLOW THESE WARNINGS COULD RESULT IN SERIOUS INJURY.

Hardware list

1		1pcs	A	 M8x50mm	4pcs
2		1pcs	B	 M6x35mm	6pcs
3		2pcs	C	 HEX KEY	1pcs

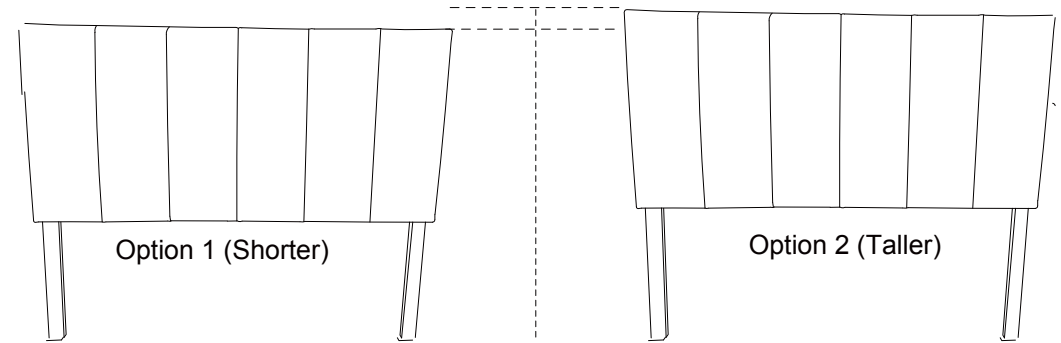


ATTENTION:
DO NOT TIGHTEN THE SCREWS FULLY DURING ASSEMBLY.
FULLY TIGHTEN SCREWS AFTER THE FINAL ASSEMBLY STEP.



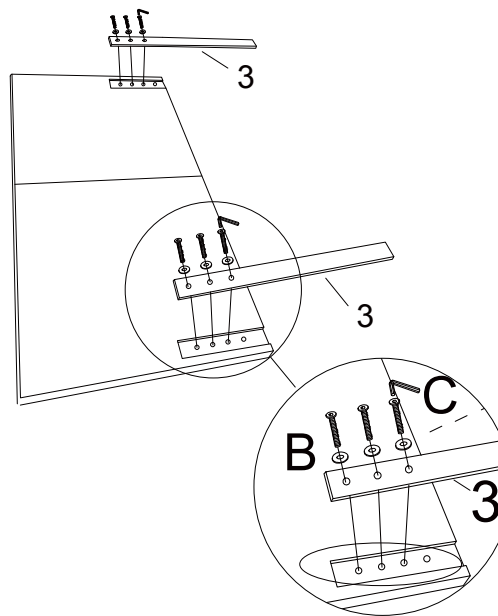
Step 1: Fix part 1 & 2 together with screws (A) using the hex key.

Step 2: Fix the legs (part 3) with screws (B) using hex key, aligning screws. Note: The legs can be assembled at 2 different heights.



Fix the legs (part 3) with screws (B) using hex key, aligning screws in the following way:

Option 1 (Shorter)



Option 2 (Taller)

