

ASSEMBLY INSTRUCTIONS

MATERIAL:

PP(POLYPROPYLENE) CHAIR, PU(POLYURETHANE) SEAT, BEECH WOOD.

CARE INSTRUCTIONS:

WIPE CLEAN WITH A SOFT CLOTH.

DO NOT USE ABRASIVE MATERIALS AND SOLVENTS.

CHECK AND TIGHTEN ALL PARTS REGULARLY.

STORE IN A DRY PLACE. FOR INDOOR AND DOMESTIC USE ONLY.

WARNING:

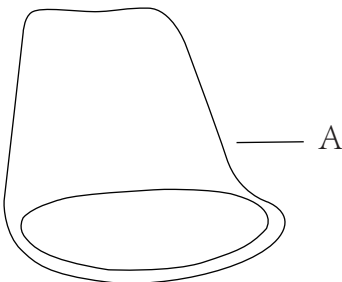
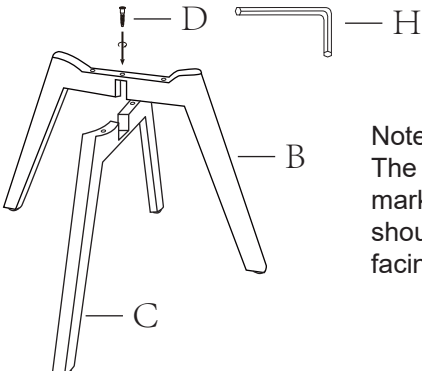
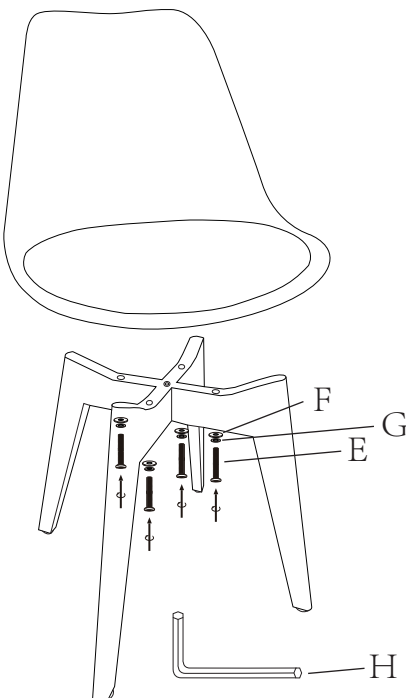







THIS PACKAGE CONTAINS SMALL PARTS AND SHARP POINTS, KEEP AWAY FROM CHILDREN AND BABIES UNTIL ASSEMBLY IS COMPLETED.

DO NOT STAND ON THE CHAIR. DO NOT USE THIS CHAIR AS A STEP LADDER. USE FOR ONE PERSON ONLY. DO NOT KNOCK OR DRAG THE PRODUCT. DO NOT USE THE CHAIR UNLESS ALL BOLTS AND SCREWS ARE FIRMLY SECURED. USE ONLY ON A FLAT SURFACE.

FAILURE TO FOLLOW THESE WARNINGS COULD RESULT IN SERIOUS INJURY.

MAXIMUM LOADING WEIGHT: 100KG

PARTS LIST:

	 <p>Note: The legs which are marked red on top should be assembled facing the front.</p>		
	<p>A x1</p> 	<p>B x1</p> 	<p>C x1</p> 
	<p>D x1</p> 	<p>E x4</p> 	<p>F x4</p> 
	<p>G x4</p> 	<p>H x1</p> 