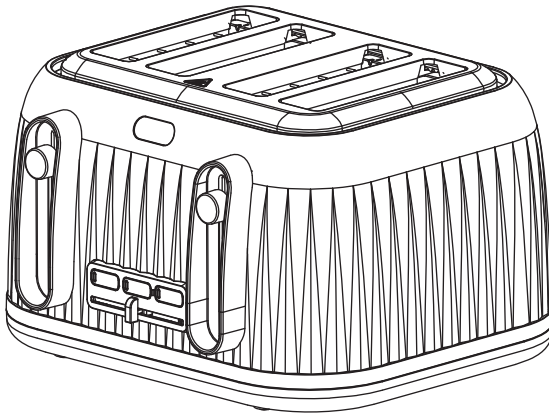


anko

Instruction Manual for Toaster

T382D



220-240V 50/60Hz 1720-2100W

INSTRUCTION FOR USE

**PLEASE RETAIN THESE INSTRUCTIONS FOR
FUTURE REFERENCE.**

IMPORTANT INSTRUCTIONS

1. Please read these instructions before operating and retain for future reference.
2. This appliance is not intended for use by persons (including children) with reduced physical, sensory or mental capabilities, or lack of experience and knowledge, unless they have been given supervision or instruction concerning use of the appliance by a person responsible for their safety. Children shall be supervised to ensure that they do not play with the appliance. Cleaning and user maintenance shall not be made by children unless they are older than 8 and supervised by an adult.
3. Keep the appliance and its cord out of reach of children.

4. If the supply cord is damaged, it must be replaced by the manufacturer, its service agent or similarly qualified persons in order to avoid a hazard.

CAUTION: The bread may burn, therefore do not use the toaster near or below combustible material, such as curtains. Do not leave the toaster unattended during use.

5. The appliances are not intended to be operated by means of an external timer or separate remote-control system.

6. This appliance is intended to be used in household and similar applications such as :

- staff kitchen areas in shops, offices and other working environments;
- farm houses;
- by clients in hotels, motels and other residential type environments;

- bed and breakfast type environments.
- 7. To protect against electrical hazard do not immerse any part of the appliance or cord in water or any other liquid.
- 8. Close supervision is necessary when the appliance is used near children.
- 9. Do not leave the appliance unattended when in use.
- 10. Always use the appliance on a dry, level surface.
- 11. Do not use this appliance outdoors.
- 12. Always unplug from the plug from mains power when not in use and before cleaning.
- 13. Do not operate the appliance if damaged, after an appliance malfunctions or it has been damaged in any manner. Any repairs to the product must be carried out by a qualified

electrical person only or the product must be disposed.

14. In the interest of safety, regular periodic close checks should be carried out on the supply cord to ensure no damage is evident. Should there be any signs that the cord is damaged, DO NOT use.
15. DO NOT let the cord hang over the edge of a table or counter or touch hot surfaces. Allow unit to cool before wrapping cord around base for storage.
16. Care must be taken not to touch any hot surfaces, do not store or cover the appliance until it has fully cooled down.
17. Do not place this appliance on or near a hot gas or electric burner, in or where it could touch a heated oven, or a microwave oven.

18. Do not use harsh abrasives, caustic cleaners or oven cleaners when cleaning this appliance.
19. When using this appliance, allow adequate air space above and on all sides for air circulation. Do not allow this appliance to touch curtains, wall coverings, clothing, dishtowels or other flammable materials during use. CAUTION is required on surfaces where heat may cause a problem, use of an insulated heat pad is recommended.
20. Do not use the toaster without the slide out crumb tray in place. The crumb tray should be cleaned regularly. Do not allow crumbs to build up in the tray.
21. To prevent damage and/or possible fire, do not use this appliance with any foodstuff product containing sugar content or with products

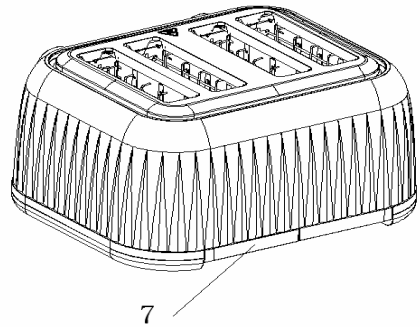
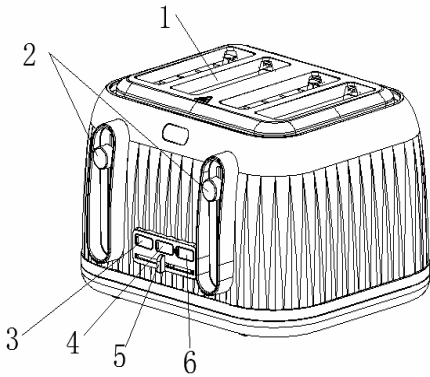
containing jam or preserves.

22. The temperature of accessible surfaces may be high when the appliance is operating.

WARNING!!

Never attempt to extract jammed toast, muffins, bagels or any other item with a knife or any other object, as contact with live elements may cause electrocution.

Allow the appliance to cool down, unplug and carefully remove the bread.



1. Toasting slots
2. Control lever (left & right)
3. Reheat button
4. Cancel button
5. Toasting Level selector Knob.
6. Frozen button
7. Crumb tray.

OPERATING TOASTER

1. Insert the plug into mains power socket outlet with 220-240V~, 50/60Hz.
2. Put the bread into the toasting slot
3. Select the desired browning setting, from No.1 to No.9 by sliding the toaster level selector (No.1-lightest, No. 9-darkest).

NOTE: When using the toaster for the first time, we suggest you toast on number 5. Varying types of bread and personal preference may require a different browning setting.

4. Press the control lever down until it clicks into place. Toasting cycle will automatically commence. Please note: when the toaster is not connected to mains power the control level will not stay down when pushed down.

5. The toaster turns OFF when the desired toast colour is achieved and automatically raises the toast. The toasting process can be stopped at any time by pressing the cancel button.

IMPORTANT!: For 1 or 2 slice toasting, please use the right side toasting slot only.

The left side toasting slot (lever) will function only when the right side toasting slot (lever) is activated. The toasting slot (lever) will not function unless the toaster is connected to mains power.

TOASTING FROZEN BREAD: To toast frozen bread, place the bread into the bread slots and select the desired browning setting. Press the control lever down until it clicks into place then press the frozen button.

REHEATING TOAST: The toaster allows you to reheat toast without additional toasting. To reheat, place toast into bread slots, lower the control lever until it clicks into place and press the reheat button.

In the unlikely event that the bread or crumpet becomes jammed, switch the toaster OFF from mains power outlet, remove the plug from the supply socket and carefully ease the bread out of the toaster, ensure that you do not damage the heating element.

CARE AND CLEANING

1. Always disconnect the toaster from the mains power outlet socket, and allow the toaster to cool down before cleaning.
2. To remove any bread crumbs from the toaster, pull out the crumb tray the toaster, clean the crumb tray and put it back on the toaster before using it again.
3. Wipe the outside of the toaster with a slightly dampened cloth and polish with a soft dry cloth.
4. Do not immerse the unit in any liquid.
5. To clean the interior of the toaster, turn the toaster upside down over the sink to shake out the loose crumbs.

The crumb tray should be cleaned regularly. Do not allow breadcrumbs to accumulate in the bottom of the toaster.

12 Month Warranty

Thank you for your purchase from Kmart.

Kmart Australia Ltd warrants your new product to be free from defects in materials and workmanship for the period stated above, from the date of purchase, provided that the product is used in accordance with accompanying recommendations or instructions where provided. This warranty is in addition to your rights under the Australian Consumer Law.

Kmart will provide you with your choice of a refund, repair or exchange (where possible) for this product if it becomes defective within the warranty period. Kmart will bear the reasonable expense of claiming the warranty. This warranty will no longer apply where the defect is a result of alteration, accident, misuse, abuse or neglect.

Please retain your receipt as proof of purchase and contact our Customer Service Centre on 1800 124 125 (Australia) or 0800 945 995 (New Zealand) or alternatively, via Customer Help at Kmart.com.au -for any difficulties with your product. Warranty claims and claims for expense incurred in returning this product can be addressed to our Customer Service Centre at 690 Springvale Rd, Mulgrave Vic 3170.

Our goods come with guarantees that cannot be excluded under the Australian Consumer Law. You are entitled to a replacement or refund for a major failure and compensation for any other reasonably foreseeable loss or damage. You are also entitled to have the goods repaired or replaced if the goods fail to be of acceptable quality and the failure does not amount to a major failure.

For New Zealand customers, this warranty is in addition to statutory rights observed under New Zealand legislation.

