





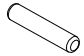









# Assembly Instructions

TOOLS REQUIRED: PHILLIPS HEAD SCREWDRIVER, HAMMER (NOT PROVIDED).

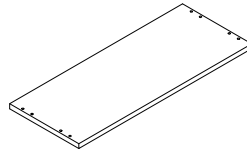
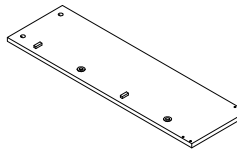
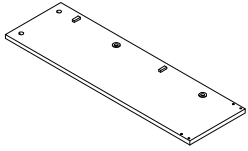
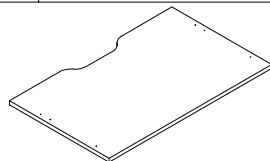
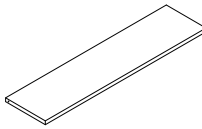
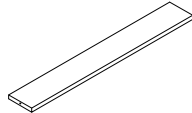
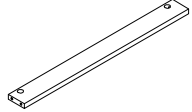
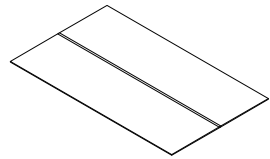
**WARNING:**

THIS PACKAGE CONTAINS SMALL PARTS AND SHARP POINTS. KEEP AWAY FROM CHILDREN AND BABIES. **MAXIMUM SAFE LOAD: 10KG FOR TOP PANEL, 5KG FOR INSIDE DRAWER.** IT IS STRONGLY RECOMMENDED THAT THIS PRODUCT IS PERMANENTLY FIXED TO THE WALL.

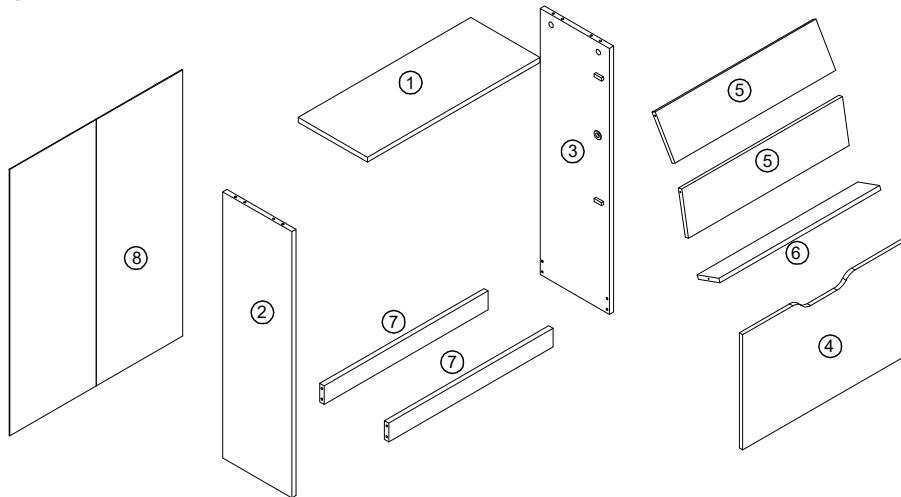
## 1 Hardware List

	a	6x35mm	8pcs		h	M4x12mm	12pcs
	b	15x9.5mm	8pcs		i		4pcs
	c	6x30mm	8pcs		j		16pcs
	d		4pcs		k	M4x25mm	12pcs
	e		4pcs		l	20x150mm Ø3.5x12mm	2pcs
	f		2pcs		m	Ø6x30mm Ø4x35mm	2pcs
	g		2pcs		n	M4x13mm	4pcs

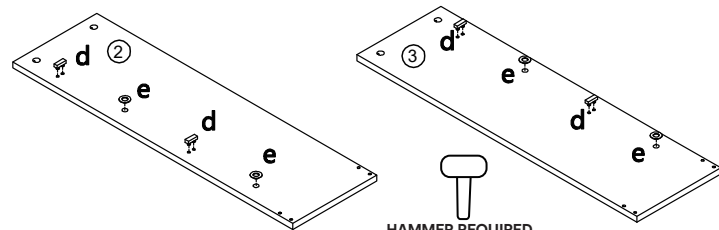
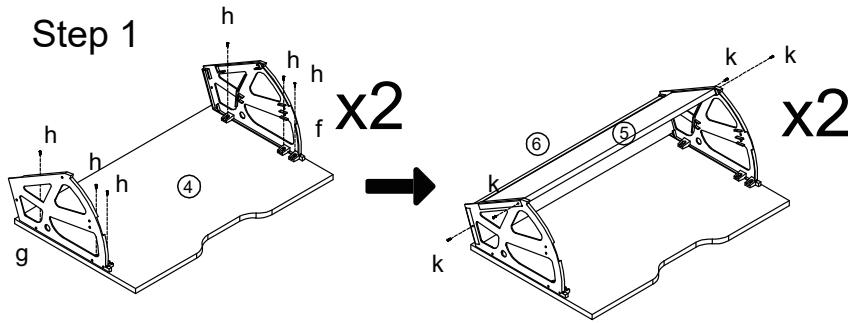
## 2

	①	1PC		②	1PC		③	1PC
	④	2PCS		⑤	4PCS		⑥	2PCS
	⑦	2PCS		⑧	1PC			

## 3



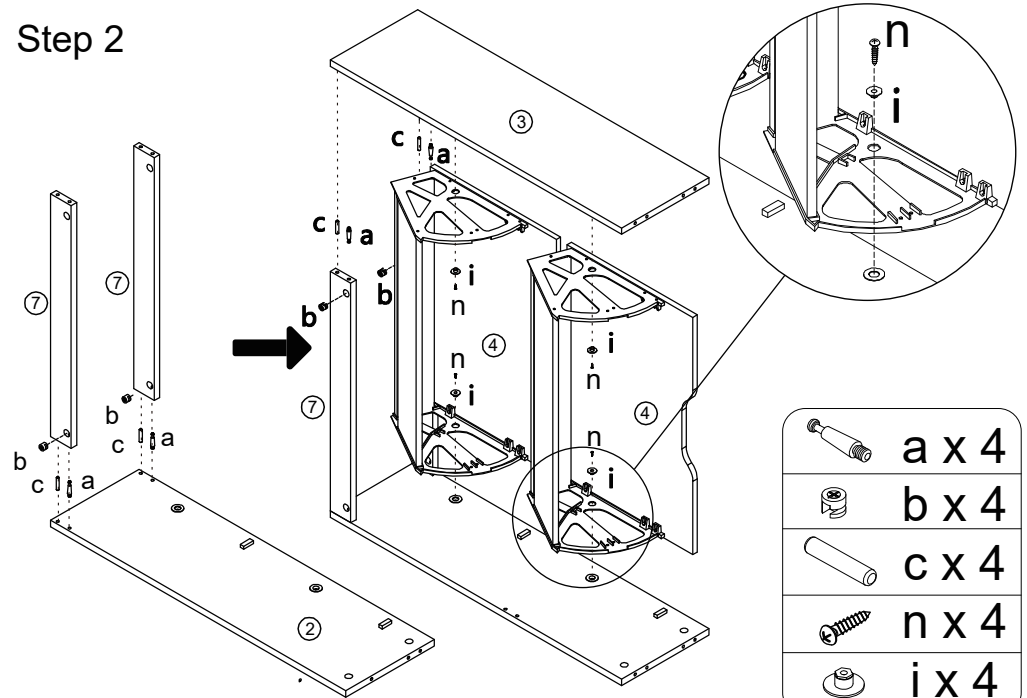
### Step 1



HAMMER REQUIRED  
(NOT PROVIDED)

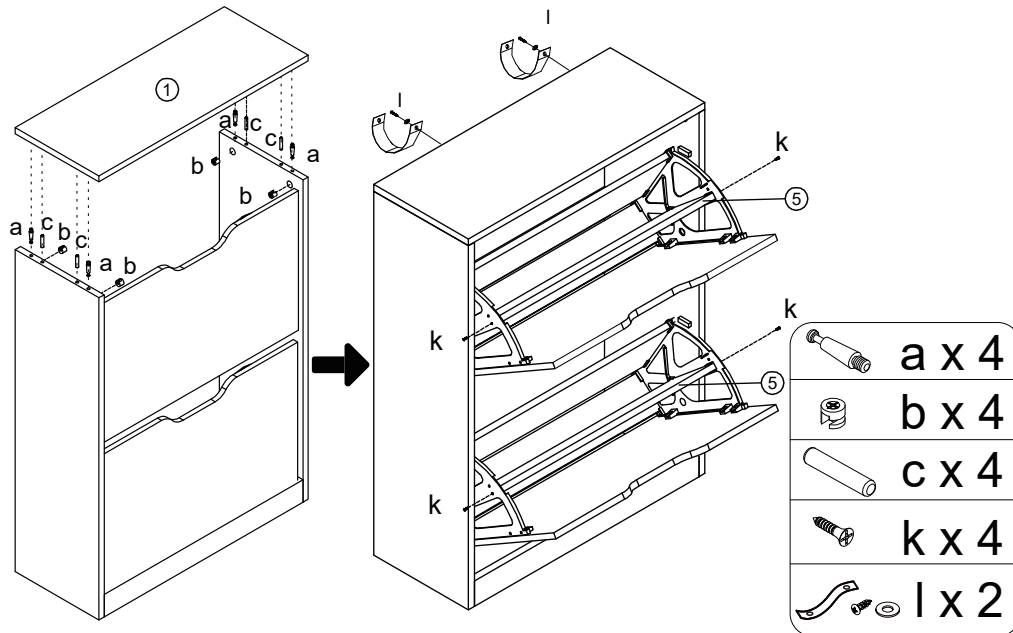
	h x 12
	f x 2
	g x 2
	k x 8
	d x 4
	e x 4

### Step 2



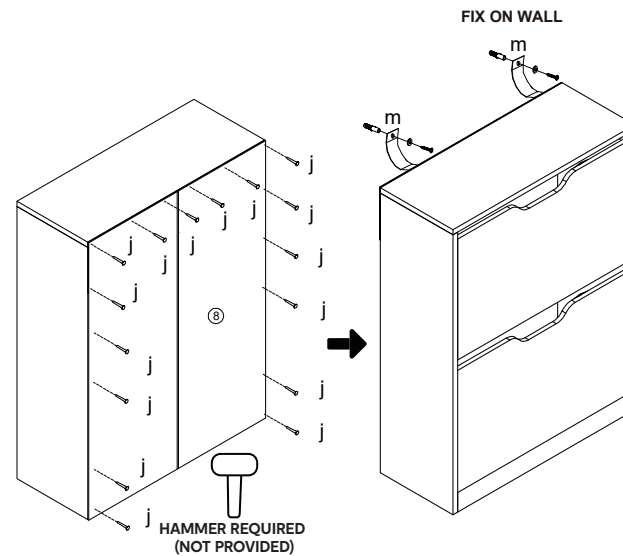
	a x 4
	b x 4
	c x 4
	n x 4
	i x 4

### Step 3



	a x 4
	b x 4
	c x 4
	k x 4
	l x 2

### Step 4



HAMMER REQUIRED  
(NOT PROVIDED)

#### User instructions for wall fixings:

It is strongly recommended that this product is permanently fixed to the wall. Please seek professional advice if you are in doubt of what fixing device to use. Regularly check that wall fixings are securely maintained. Stability of tall items may be affected by thick pile carpet or uneven floors. Do not place unanchored televisions on furniture.

**Caution:** for your safety when attaching the wall fixings check any electrical wires or plumbing inside the wall before drilling any holes (if you are unsure please seek professional advice from a qualified trades person).