

Assembly Instructions








42821519 SHOE RACK BENCH

ATTENTION:

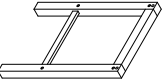
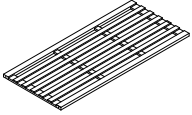
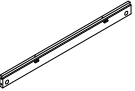
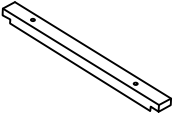
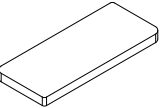
- ENSURE YOU HAVE ALL PARTS BEFORE YOU START ASSEMBLING.
- DO NOT TIGHTEN THE SCREWS UNTIL IT HAS BEEN FULLY ASSEMBLED.
- FOR INDOOR USE ONLY.
- MAXIMUM LOADING WEIGHT: 100KG FOR SEAT, 3KG FOR THE SHELF.

1

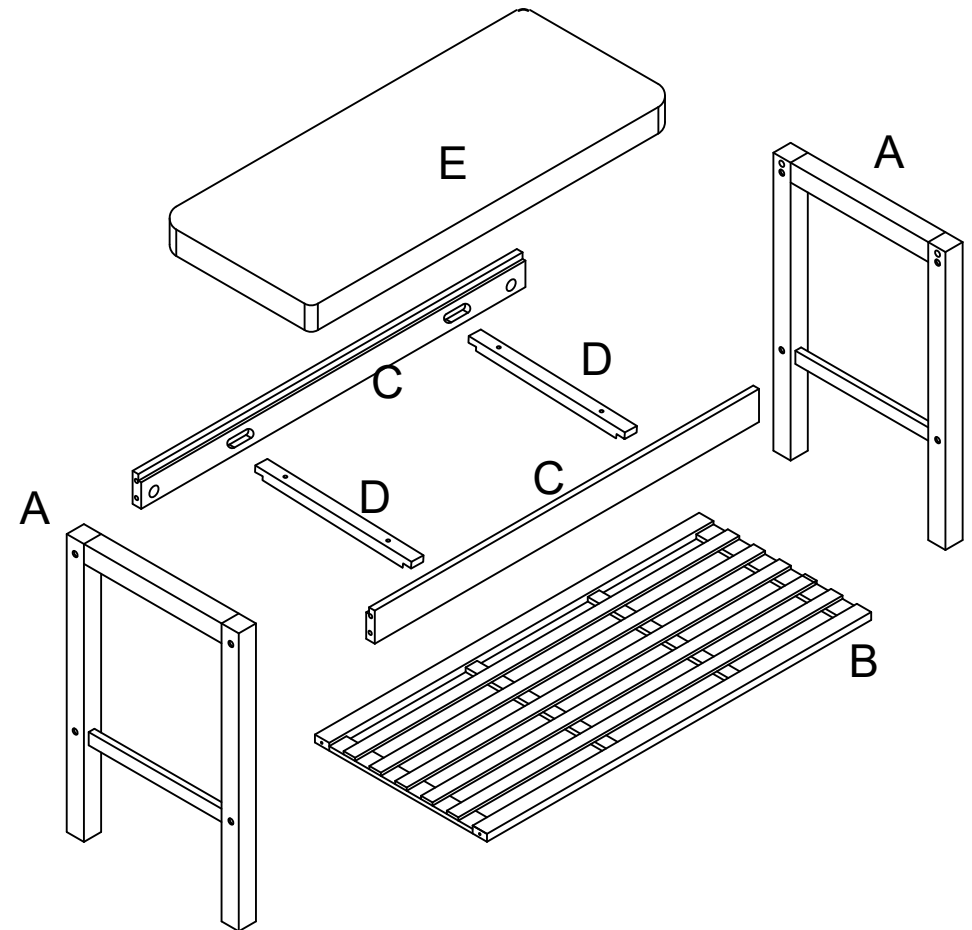
Hardware List

	①	6x55mm	4pcs		⑤	4x30mm	4pcs
	②	10x10mm	4pcs		⑥	4x25mm	4pcs
	③	5x45mm	4pcs				1pc
	④	8x30mm	4pcs				

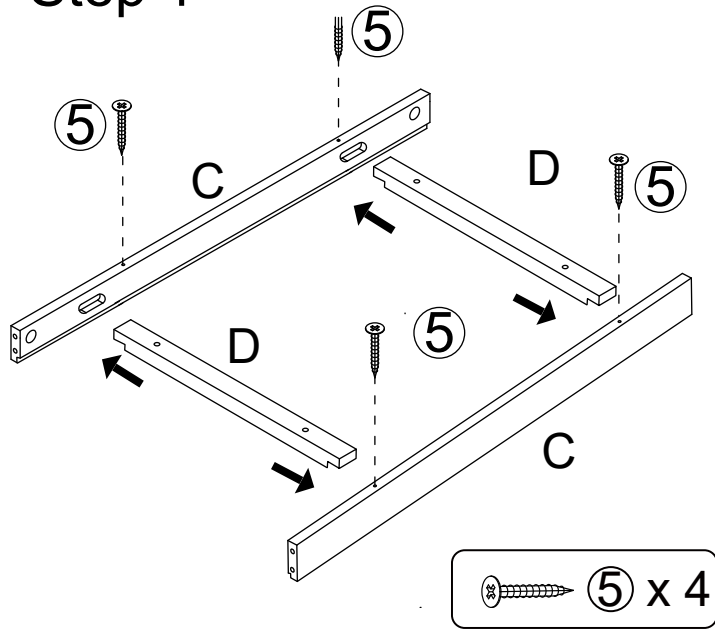
2

			
A	2pcs	B	1pc
			
C	2pcs	D	2pcs
			
E	1pc		

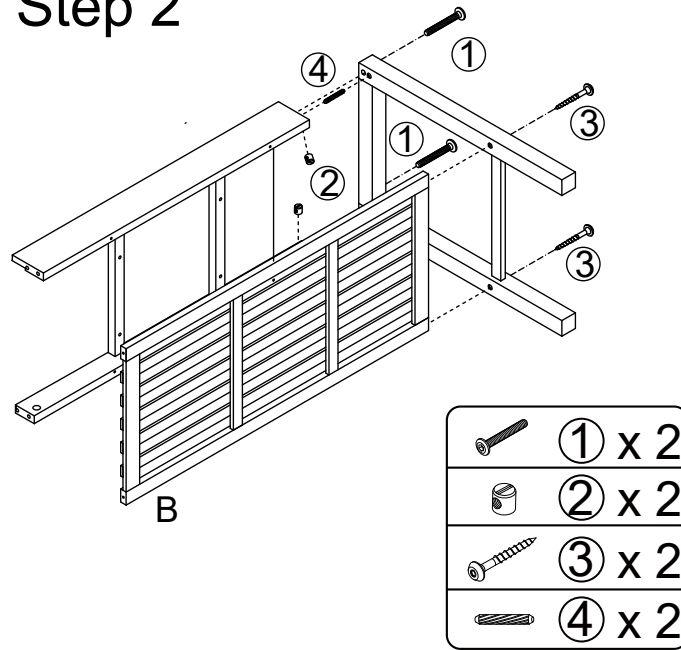
3



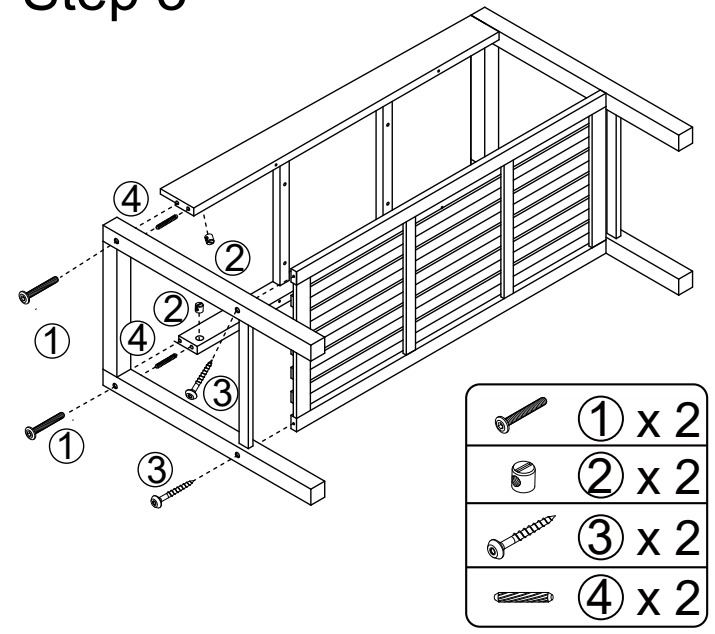
Step 1



Step 2



Step 3



Step 4

