

Assembly Instructions








42828617 Shelf Unit Bamboo

WARNING: DO NOT USE THIS UNIT UNLESS ALL BOLTS AND SCREWS ARE FIRMLY SECURED. DO NOT KNOCK OR DRAG THIS UNIT. USE ONLY ON A FLAT SURFACE. FAILURE TO FOLLOW THESE WARNINGS COULD RESULT IN SERIOUS INJURY.

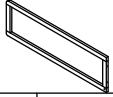
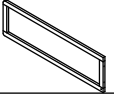
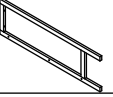
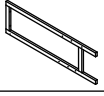
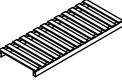
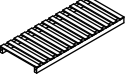



THIS PACKAGE CONTAINS SMALL PARTS AND SHARP POINTS, KEEP AWAY FROM CHILDREN AND BABIES. **2KG FOR EACH LAYER, MAXIMUM LOAD WEIGHT IS 6KG.**

①

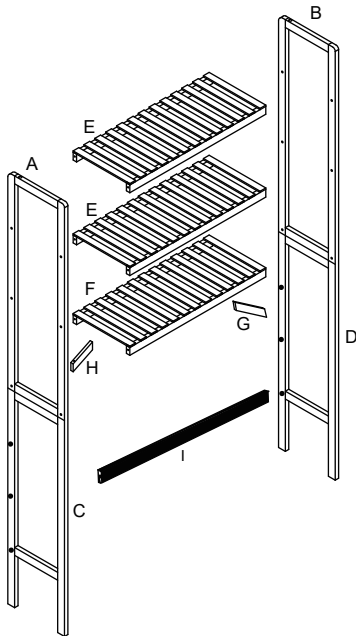
Hardware List

	①	4x30mm	12pcs		②	4x10mm	2pcs
	③	4x20mm	6pcs		④	4x35mm	6pcs
	⑤	5x35mm	2pcs		⑥		2pcs
	⑦		2pcs				

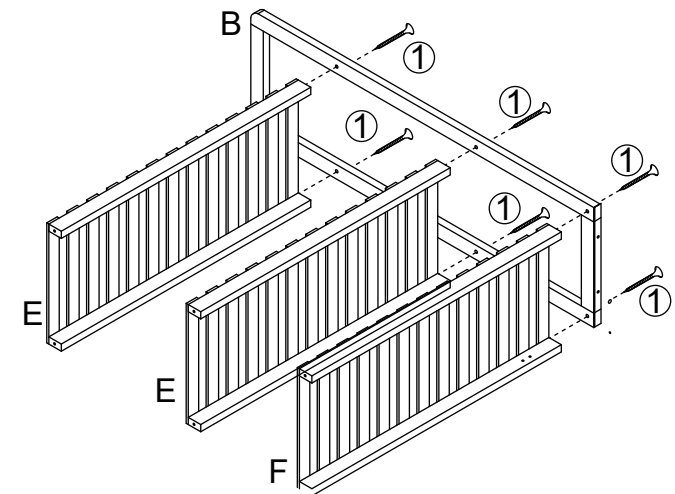
②

	A	1pc		B	1pc		C	1pc
	D	1pc		E	2pcs		F	1pc
	G	1pc		H	1pc		I	1pc

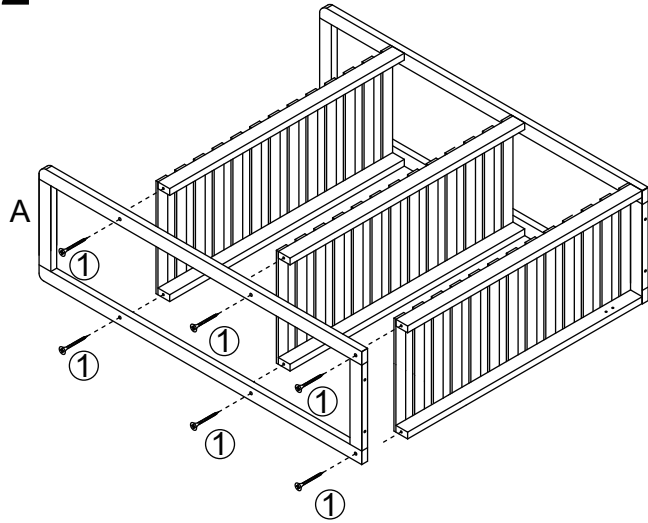
③



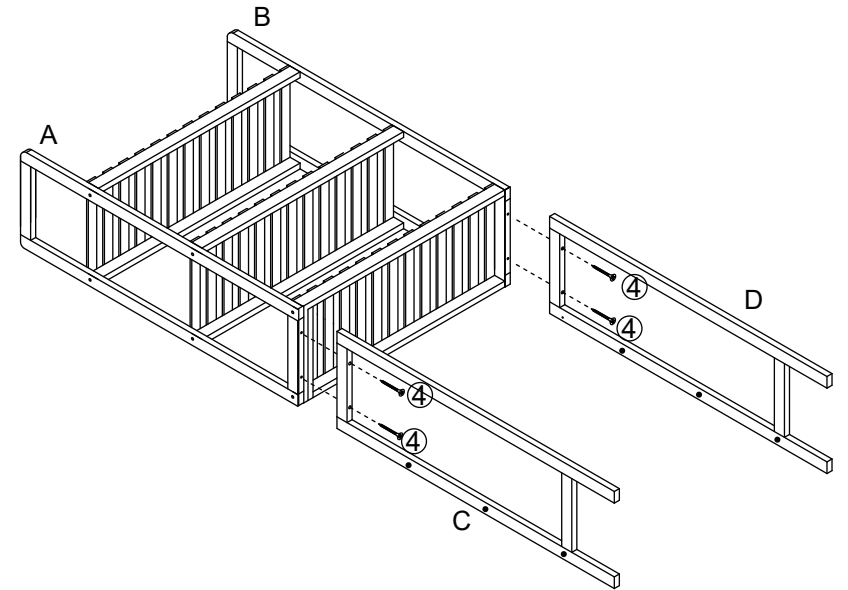
Step:1



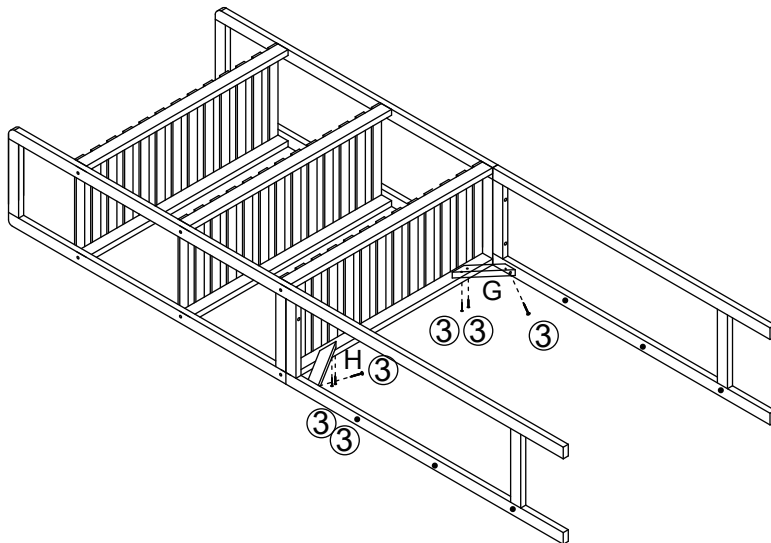
Step:2



Step:3



Step:4



Step:5

USER INSTRUCTIONS FOR WALL FIXINGS: IT IS STRONGLY RECOMMENDED THAT THIS PRODUCT IS PERMANENTLY FIXED TO THE WALL. PLEASE SEEK PROFESSIONAL ADVICE IF YOU ARE IN DOUBT OF WHAT FIXING DEVICE TO USE. REGULARLY CHECK THAT WALL FIXINGS ARE SECURELY MAINTAINED. FOR YOUR SAFETY WHEN ATTACHING THE WALL FIXINGS, PLEASE NOTE THE FOLLOWING: CHECK ANY ELECTRICAL WIRES OR PLUMBING INSIDE THE WALL BEFORE DRILLING ANY HOLES (IF YOU ARE UNSURE PLEASE SEEK PROFESSIONAL ADVICE FROM A QUALIFIED TRADESPERSON)

3 adjustable location of H rail

