
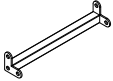
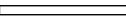
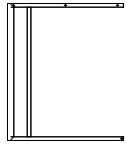







Assembly Instructions C SHAPE SIDE TABLE 42841005

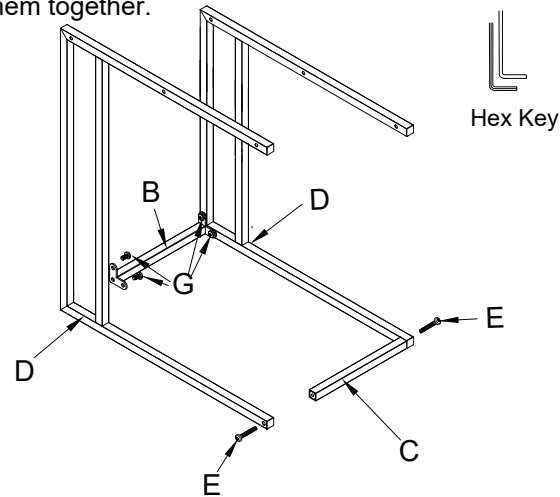
CARE INSTRUCTIONS: WIPE CLEAN WITH A DAMP OR DRY CLOTH. DO NOT USE ABRASIVE MATERIALS AND SOLVENTS. DO NOT PLACE HOT ITEMS SUCH AS COFFEE CUPS DIRECTLY ON THE SURFACE OF THIS FURNITURE ITEM. KEEP AWAY FROM WATER AND DIRECT SUNLIGHT. PLACE ON AN EVEN SURFACE. FOR INDOOR AND DOMESTIC USE.

WARNING: DO NOT STAND OR SIT ON THIS UNIT. DO NOT USE THIS UNIT UNLESS ALL BOLTS AND SCREWS ARE FIRMLY SECURED. USE ONLY ON AN EVEN SURFACE. THIS PACKAGE CONTAINS SMALL PARTS AND SHARP POINTS. KEEP AWAY FROM CHILDREN AND BABIES. ADULT ASSEMBLY REQUIRED. A MILD ODOUR MAY BE PRESENT WHEN FIRST OPENING THIS CARTON. SIMPLY ALLOW TO AIR OUTSIDE AND THIS WILL FADE. **MAXIMUM SAFE LOAD: 5KG.**

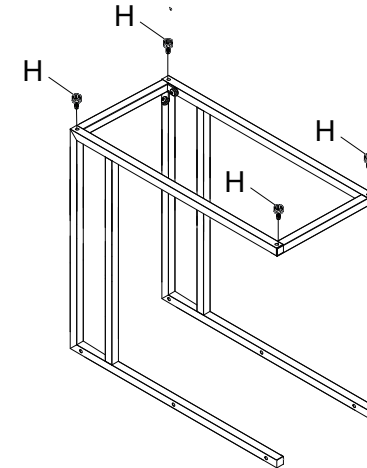
Hardware list

A	Board		1pc
B	Tube		1pc
C	Tube		1pc
D	Metal Frame		2pcs
E	Screw M6X40mm		2pcs
F	Screw F5X40mm		6pcs
G	M6X12mm		4pcs
H	Mat M6		4pcs
I	Hex Key		2pcs

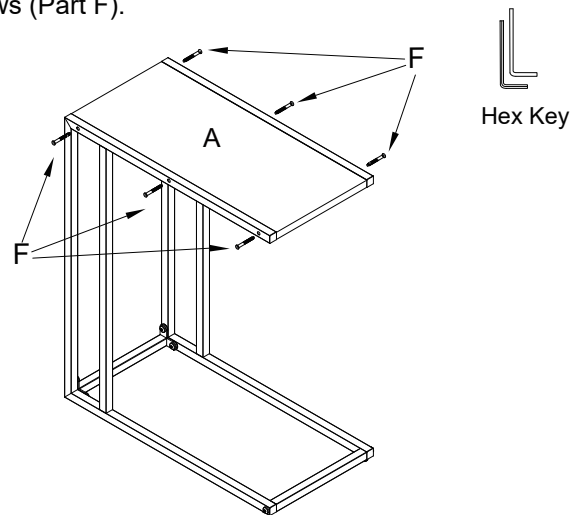
Step:1 Place the two Metal Frames (Part D) upright on the ground. Put the tubes (Part B and Part C) between the two Metal Frames, use screws (Part G and Part E) to fasten them together.



Step 2: Turn the whole frame upside down, install adjustable foot mats (Part H).



Step3: Turn the frame over again, install the board (Part A) with screws (Part F).



Step 4: Fasten all screws firmly, assembly is now complete. Adjust Part H if the table not stable.

