

anko

Hollywood Mirror Small

For Household Use Only



Model No.: SM279A-SL
Rev 2

*Brushes not included

1	Warnings.....	4
2	Safety Directions.....	4
3	Components	6
4	Assembly Method	7
5	Power Supply	8
6	Using the Mirror Lights.....	9
	6.1 On / Off	9
	6.2 Dimmer.....	9
	6.3 Light Type	10
7	User Maintenance	10
	7.1 Cleaning the Mirror.....	11
8	Storage.....	11
9	Warranty Against Defect	12

1 Warnings

Before using this appliance, read and follow all warnings and instructions in this manual, even if you are familiar with this product.

This appliance is not intended for use by persons (including children) with reduced physical, sensory or mental capabilities, or lack of experience and knowledge, unless they have been given supervision or instruction concerning use of the appliance by a person responsible for their safety.

Children should be supervised to ensure that they do not play with the appliance.

2 Safety Directions



Please read this instruction manual carefully before first use. It is advisable to keep this instruction manual for future reference.

DO NOT use in a moist or humid area.

DO NOT use the mirror if any of the LED globes are damaged.

DO NOT store or use the appliance near high temperature areas.

DO NOT run over the power supply cable with a vacuum cleaner.

DO NOT use if the appliance malfunctions, abnormal noise, smell, smoke, is dropped or damaged in any manner or any breakage is found during operation.

For electrical safety, any repairs to the product must be performed by a qualified electrical person only, or the product must be disposed of.

DO NOT misuse the power supply cable. Never pull the appliance by the cable or pull to disconnect it from the outlet. Instead, grasp the power supply body and pull to disconnect.

DO NOT use with damaged power supply cable or power supply body.

DO NOT handle the power supply or mirror with wet hands.

DO Keep power supply cable away from heated surfaces

DO disconnect the power supply from the power supply when not in use,

DO NOT hang items off the LED light globes.

DO NOT attempt to modify this product in any way.

Ensure the mirror is dry before adjusting the settings.

Use only on dry, level, indoor surfaces.

Use only as described in this manual.

Always store your appliance indoors in a cool dry area.

Ensure children and babies cannot play with plastic bags or any packaging materials.

Ensure to operate the power supply from a power source of the same voltage, frequency and rating as indicated on the product identification plate.

If this appliance is used by a third party, ensure to supply the instruction manual with it.

No liability can be accepted for any damage caused by non-compliance with these instructions or any other improper use or mishandling of the appliance.

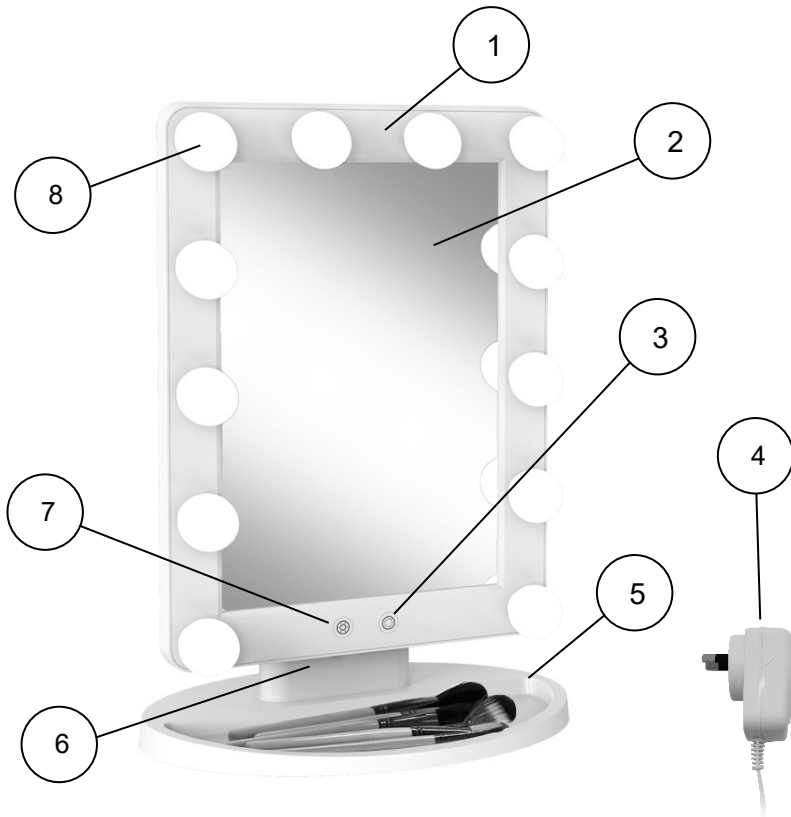
This product has not been designed for any uses other than those specified in this manual.

ONLY for domestic use. Industrial or commercial use invalidates the warranty.

Read and Save These Instructions

3 Components

Note: Brushes are not included



1	Mirror Frame	5	Base Stand
2	Mirror	6	Mirror Stand Neck. Tiltable
3	Light Type Selector	7	On / Off Switch & Brightness Adjustment
4	Power Supply	8	LED Lights

Note: The specifications and/or components of this appliance are subject to change without prior notice

4 Assembly Method

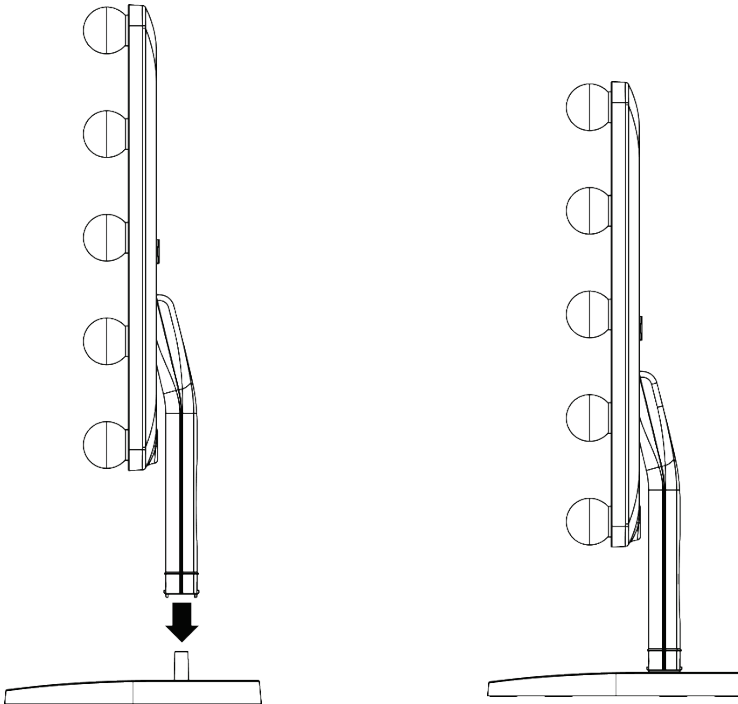
Please Note: a small amount of assembly is required.

The base needs to be fitted to the mirror.

To fit the base, place the base panel on a flat level surface.

Position the neck of the mirror over the post protruding from the base and then lower onto the post as shown below.

Firmly press down until it clips into place.



5 Power Supply

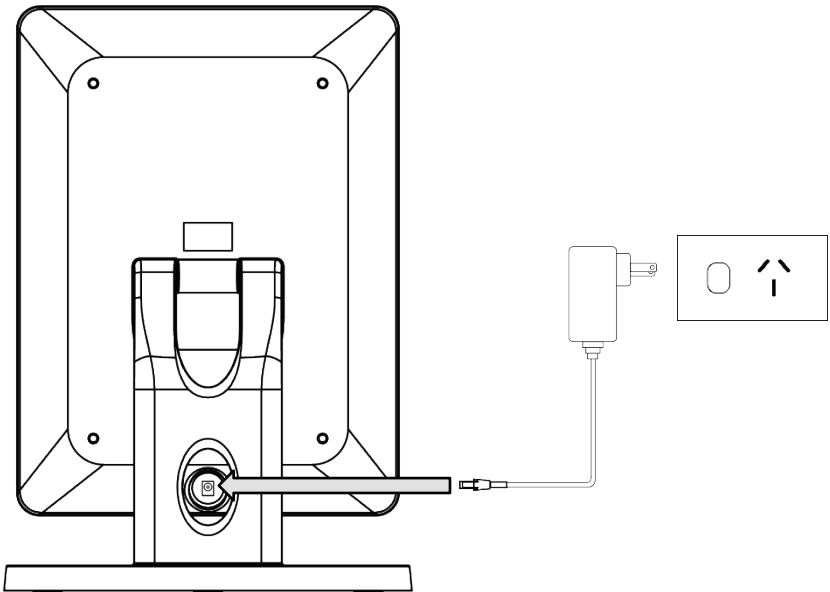
Important: Only use with Power Supply Model: WJA-Y 121201000W
(Output: 12Vd.c. 1A)

Unravel the power supply cable.

Plug in the small plug on the end of the power supply cable into the power jack located in the back of the mirror.

Plug the power supply into the power point and switch on.

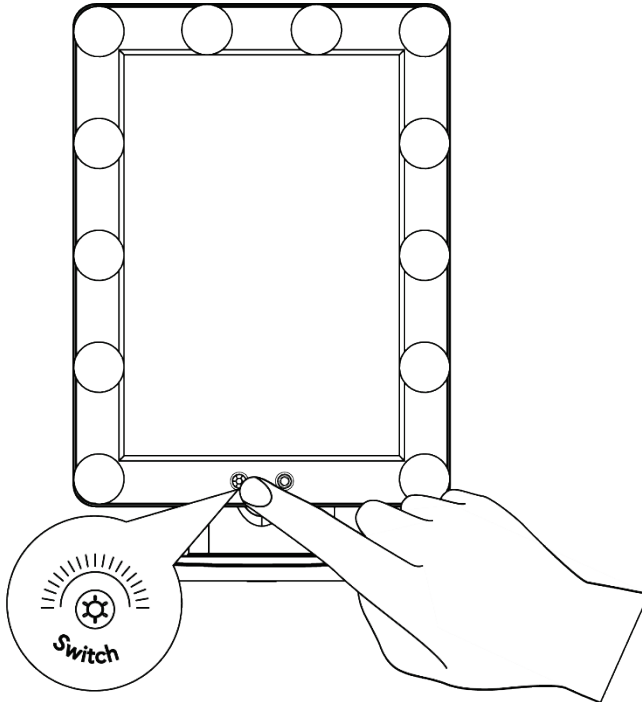
IMPORTANT! Switch off and remove the power supply from the power point when not in use.



6 Using the Mirror Lights

6.1 On / Off

With the power supply plugged into the power point and switched on, and the power supply cable plugged into the back of the mirror, press the On / Off Switch button on the mirror front.



The lights will turn on at full brightness.

6.2 Dimmer

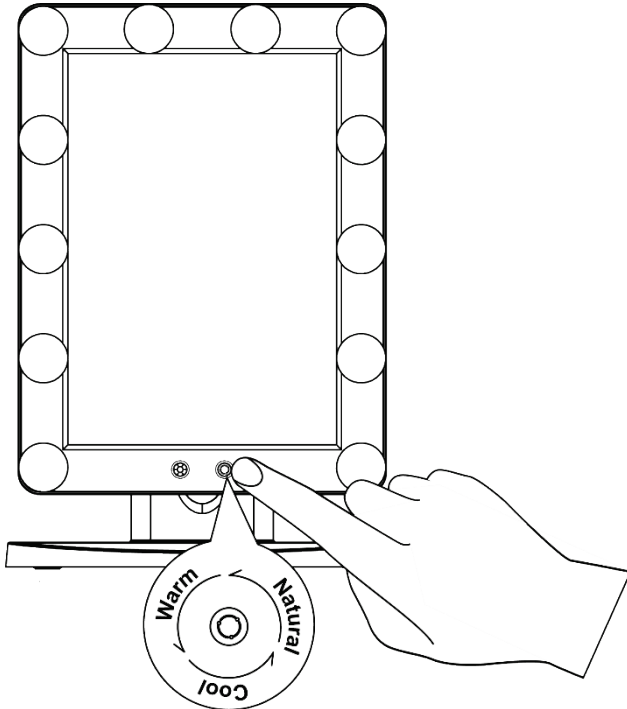
To adjust the brightness, press and hold the On / Off Switch Button to adjust the brightness to your requirement. Release the On / Off Switch Button when your desired brightness is reached.

6.3 Light Type

There are three types of light you can choose from being Natural, Warm and Cool.

With the lights switched on, press the Light Type Selector button on the front of the mirror.

Each press will cycle the light type from Natural to Warm to Cool and back around to Natural etc.



7 User Maintenance

WARNING: Switch off and unplug the power supply before any maintenance or cleaning.

Note: the LED lights are not removable or replaceable. They are designed to last for the life of the product.

7.1 Cleaning the Mirror

Do not clean the mirror or other parts with petrol, solvents or any other flammable liquid.

Do not clean with scouring pads, rough cloths or the like as the surface will be damaged.

Use only a very soft dry cloth to gently wipe the mirror and other parts.

Do Not submerge the mirror or other parts in liquid.

8 Storage

If you are to store the mirror, store it away in a dry cool place preferably in its box.

Do not wind the power supply cable tightly. Loop it loosely.

9 Warranty Against Defect

12 Month Warranty

Thank you for your purchase from Kmart.

Kmart Australia Ltd warrants your new product to be free from defects in materials and workmanship for the period stated above, from the date of purchase, provided that the product is used in accordance with accompanying recommendations or instructions where provided. This warranty is in addition to your rights under the Australian Consumer Law.

Kmart will provide you with your choice of a refund, repair or exchange (where possible) for this product if it becomes defective within the warranty period. Kmart will bear the reasonable expense of claiming the warranty. This warranty will no longer apply where the defect is a result of alteration, accident, misuse, abuse or neglect.

Please retain your receipt as proof of purchase and contact our Customer Service Centre 1800 124 125 (Australia) or 0800 945 995 (New Zealand) or alternatively, via Customer Help at Kmart.com.au for any difficulties with your product. Warranty claims and claims for expense incurred in returning this product can be addressed to our Customer Service Centre at 690 Springvale Rd, Mulgrave Vic 3170.

Our goods come with guarantees that cannot be excluded under the Australian Consumer Law. You are entitled to a replacement or refund for a major failure and compensation for any other reasonably foreseeable loss or damage. You are also entitled to have the goods repaired or replaced if the goods fail to be of acceptable quality and the failure does not amount to a major failure.

For New Zealand customers, this warranty is in addition to statutory rights observed under New Zealand legislation.

IMPORTANT!

For all technical queries or difficulties in operating the product and for spare parts, contact H.E. Group customer service 1300 105 888 (Australia) and 09 8870 447 (New Zealand).