

# anko

Humidifier  
Model: HF1209-SA  
**User Manual**



PLEASE READ AND SAVE THESE  
INSTRUCTIONS FOR FUTURE REFERENCE

## IMPORTANT SAFETY INSTRUCTIONS:

When using electrical appliance. Basic safety precautions should always be followed including the following:

### **READ ALL INSTRUCTIONS BEFORE USING DANGER - TO REDUCE THE RISK OF ELECTRIC SHOCK:**

**IMPORTANT! Always place humidifier on a firm, flat surface. A waterproof mat or pad is recommended for use under the humidifier. Never place it on a rug or carpet, or on a finished floor that may be damaged by exposure to water or moisture.**

- Always unplug the unit from the electrical outlet immediately after use and before cleaning.
- DO NOT reach for a unit that has fallen into water. Disconnect from mains power immediately.
- DO NOT use while bathing or in the shower.
- DO NOT place or store the unit where it can fall or be pulled into a tub or sink.
- DO NOT place or drop into water or other liquids.
- DO NOT use water above 25°C.

### **WARNING - TO REDUCE THE RISK OF BURNS, ELECTRIC SHOCK, FIRE OR INJURY TO PERSONS:**

- A unit should never be left unattended while plugged in.
- This appliance is not intended for use by persons (including children) with reduced physical, sensory or mental capabilities, or lack of experience and knowledge, unless they have been given supervision or instructions concerning use of the appliance by a person responsible for their safety.
- Children should be supervised to ensure that they do not play with the appliance.
- The use of accessory attachments not recommended by the appliance manufacturer may cause injuries.
- NEVER drop or insert any object into any opening.
- DO NOT operate where aerosol (spray) products are being used, or where oxygen is being administered.
- Electrical supply shall be disconnected prior to beginning any such cleaning operation.
- Always hold the water tank firmly with both hands when carrying a full tank of water.
- NEVER use the humidifier in an environment where explosive gases are present.
- DO NOT place the humidifier near heat sources, such as a stove, and do not expose the humidifier to direct sunlight.
- DO NOT carry this unit by the power cord or use the power cord as a handle.
- To disconnect, turn all controls to the "off" position, then remove the plug from the mains power.
- DO NOT use outdoors. For indoor use only.
- If the supply cord is damaged, **DO NOT** use. For electrical safety, any repairs to the product should only be carried out by a qualified electrical person only or the product must be disposed.
- It is recommended not to use the humidifier when the humidity is more than 65%. If the humidity is more than 65%, excessive humidification may occur.
- Excessive humidity in the room will cause condensation of water droplets on window, furniture...etc. Please turn off the unit if such
- Do not attempt to adjust or repair the unit. Servicing must be performed by professional or qualified personnel.

## **CAUTION**

- Never cover the unit while it is operating.
- Always keep the cord away from high temperature and fire.
- Stop using this unit if there is an unusual noise or smell.
- Unplug this unit when not in use for a long period of time.
- Unplug the unit during filling and cleaning.
- Do not touch the water or any parts of the unit that are covered by water while the unit is ON or plugged in.

## **READ AND SAVE THESE INSTRUCTIONS**

## **FEATURES**

### **Ultrasonic Technology**

This humidifier uses ultrasonic high frequency technology to convert the water into 1–5 million super particles that are dispersed into the air evenly.

### **LED Display**

Displays timer setting, mist output levels, empty tank alarm.

### **Cool Mist Function**

Adjustable low, medium, or high mist output.

### **Auto-off Timer**

Programmable timer up to 12 hours.

### **Night Light Function**

LED lights up the water tank

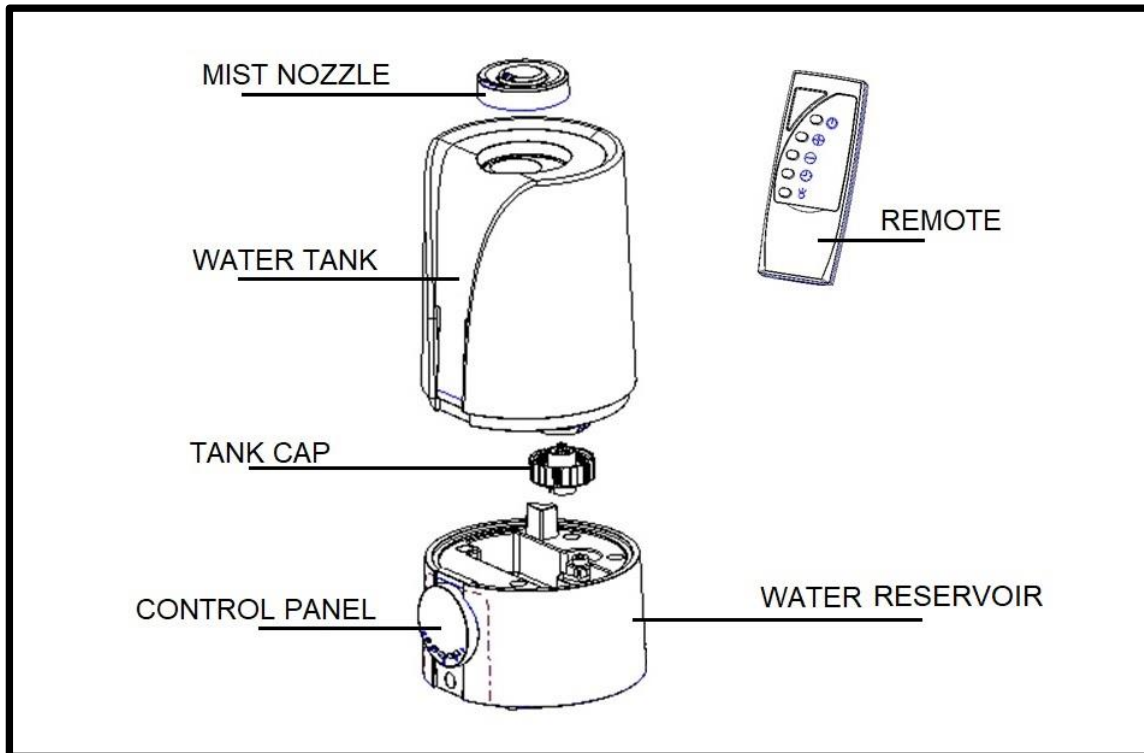
### **Auto Shut-Off Protection**

When the tank is empty, the unit will shut off automatically

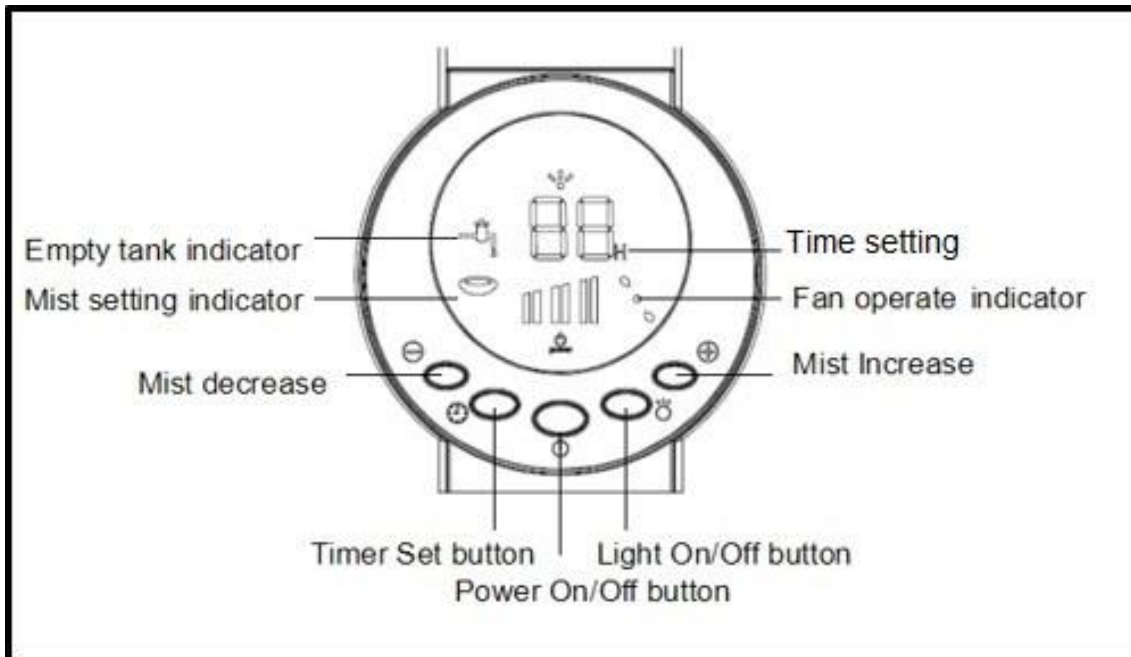
### **Run Time 24 hours**

Run time is calculated based on using cool water and setting the mist level between the low and medium settings. Based on the natural humidity level in your home, the temperature of water you use, and the mist level setting you choose, you may experience longer or shorter run times.

## PARTS



## CONTROL PANEL



### NOTE:

Never operate without water in the tank.

To prevent damage, only use water in the tank. Never add aroma oils or additives.

To disconnect the unit, turn OFF the humidifier then remove the supply cord plug from the mains power outlet socket.

**IMPORTANT! Do not wash, adjust, or move this unit without first unplugging it from mains power.**

## HOW TO USE

Plug unit in to a 220-240V AC electrical power outlet. Press the POWER ON/OFF button to switch the unit ON. To switch OFF, press the POWER ON/OFF button again.

**ATTENTION:** When the water in the tank is almost empty, the unit will shut off automatically, and tank empty indicator will turn ON, to remind user to refill with water.

### Mist Increase/Decrease Button

Mist adjusts from Lowest output to Highest output. To increase the mist output, press the MIST INCREASE button. The corresponding Mist Level will be light on the LED display. To decrease mist output, press the MIST DECREASE button.

### Light On/Off button

Turn on or off the LED light at the bottom of the water tank.

### Timer set button

The timer will cycle through the following settings 00hr, 1hr, 2 hr, 3 hr....12hr.

Press the TIMER button to activate the timer. The timer setting indicator on LED display will read "00 H". To select the desired timer setting, keep pressing the TIMER button until the desired timer setting is shown on the display. To turn the timer OFF, press the TIMER button until "00 H" is shown on the display.

## REMOTE CONTROL

Note: Require 2 AAA batteries (not included).

The humidifier comes with a remote control for your convenience.

The functions on the remote control are the same as the buttons on the humidifier.

To install the batteries, first remove the battery cover on the remote control by sliding the battery cover back.

Install the batteries in correct polarity inside the battery compartment matching the polarity shown and then refit the battery compartment cover securely.

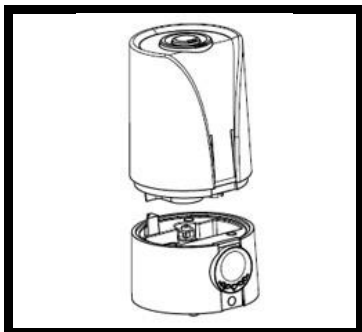
To prevent overheating DO NOT mix new and old batteries in the remote control.

To prevent corrosion, remove the batteries if the remote control is not used for a long period of time.

## HOW TO FILL

**CAUTION:** Before filling water, turn the power off and unplug the unit from the mains power.

**NOTE:** Always use two hands to carry the water tank



1. Remove the mist nozzle and Lift up water tank from humidifier base



2. Turn the tank upside down and remove the tank cap by turning it counter-clockwise

3. Fill the water tank with clean, cool (not cold) water.

Note: We recommend using distilled water if you live in a hard water area.

4. Replace the tank cap by turning it clockwise until tight. (refer step 2)

5. Install the water tank back on the base unit. Make sure the tank is firmly seated.

6. Replace the mist nozzle

Note: It is normal to have small amount of water in the tank base during and after use.

## CLEANING AND CARE

Caution: Before cleaning the unit, turn off the unit and unplug from the mains power.

- Perform regular maintenance on the ultrasonic membrane.
- Never use detergent to clean the ultrasonic membrane.
- Never clean the ultrasonic membrane by scraping with a hard object.

### To Clean the Tank

Remove the water tank from the humidifier base by lifting it from the main unit. Unscrew the tank cap and rinse inside the tank with clean water. To remove any build-up of scale, use a 50/50 mixture of vinegar and lukewarm water and leave it in the water tank for 30 minutes. Discard the mixture and rinse out the water tank to clean the inside of the tank. Then fill it with fresh water.

**Suggestion:** Clean the water tank once every two to three weeks, depending on your water conditions.

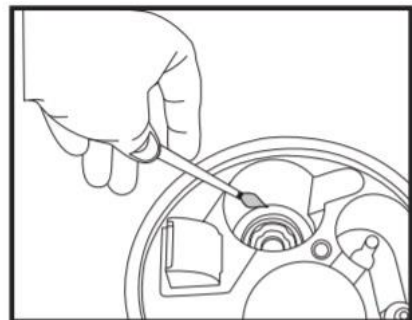
### To Clean the Ultrasonic Membrane

Pour a 50/50 mixture of vinegar and water on the surface of the ultrasonic membrane, then soak for five minutes. Clean with a soft-bristle brush (not included) and rinse.

**NEVER** touch the ultrasonic membrane with your fingers as the natural oils in skin can damage the membrane.

**Suggestion:** Clean the membrane once every two to three weeks, depending on your water conditions.

**CAUTION: For electrical safety, never submerge the base in water or any other liquid.**



### To Clean the Surface

Clean the surface of the unit with a clean damp soft cloth as often as needed.

## TECHNICAL DATA

MODEL	POWER SUPPLY	POWER	CAPACITY
HF1209-SA	220-240V 50-60Hz	26W	3.7L

## TROUBLESHOOTING

Some problems may be caused by minor faults that you can be corrected yourself. To do so, follow the instructions in the following table. If it is still not possible to resolve the problem, contact Kmart customer service. Do not attempt to repair the humidifier yourself.

Problem	Possible cause	Solution
Power Light is off/ No mist from spout.	<ul style="list-style-type: none"><li>• Unit is not plugged in.</li><li>• No power at outlet.</li><li>• Low water level.</li><li>• Timer function activated.</li></ul>	<ul style="list-style-type: none"><li>• Plug the unit to mains supply, press the POWER button to turn the power ON.</li><li>• Check circuits and fuses or try a different mains power outlet.</li><li>• Refill tank with water.</li><li>• Timer function may have been set and caused the unit to turn off.</li></ul>
Peculiar Odour	<ul style="list-style-type: none"><li>• If this is a new unit.</li><li>• If unit is in use, the odour may be a dirty tank or old water in the tank.</li></ul>	<ul style="list-style-type: none"><li>• Open the water tank cap and keep it in a shady and cool place for 12 hours.</li><li>• Empty the old water, clean the tank and fill it with clean fresh water.</li></ul>
Excessive Noise	<ul style="list-style-type: none"><li>• Unit is not level.</li><li>• Low water level.</li></ul>	<ul style="list-style-type: none"><li>• Place unit on a flat, even Surface.</li><li>• Refill the tank with fresh water.</li></ul>
White Dust Accumulation	<ul style="list-style-type: none"><li>• Hard water used.</li></ul>	<ul style="list-style-type: none"><li>• Use distilled water.</li><li>• Clean the water tank, use a soft brush to remove any residue.</li></ul>

## 12 Month Warranty

Thank you for your purchase from Kmart.

Kmart Australia Ltd warrants your new product to be free from defects in materials and workmanship for the period stated above, from the date of purchase, provided that the product is used in accordance with accompanying recommendations or instructions where provided. This warranty is in addition to your rights under the Australian Consumer Law.

Kmart will provide you with your choice of a refund, repair or exchange (where possible) for this product if it becomes defective within the warranty period. Kmart will bear the reasonable expense of claiming the warranty. This warranty will no longer apply where the defect is a result of alteration, accident, misuse, abuse or neglect.

Please retain your receipt as proof of purchase and contact our Customer Service Centre on 1800 124 125 (Australia) or 0800 945 995 (New Zealand) or alternatively, via Customer Help at [Kmart.com.au](http://Kmart.com.au) for any difficulties with your product. Warranty claims and claims for expense incurred in returning this product can be addressed to our Customer Service Centre at 690 Springvale Rd, Mulgrave Vic 3170.

Our goods come with guarantees that cannot be excluded under the Australian Consumer Law. You are entitled to a replacement or refund for a major failure and compensation for any other reasonably foreseeable loss or damage. You are also entitled to have the goods repaired or replaced if the goods fail to be of acceptable quality and the failure does not amount to a major failure.

For New Zealand customers, this warranty is in addition to statutory rights observed under New Zealand legislation.