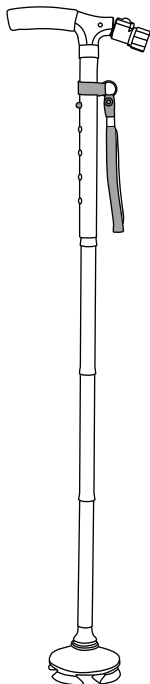
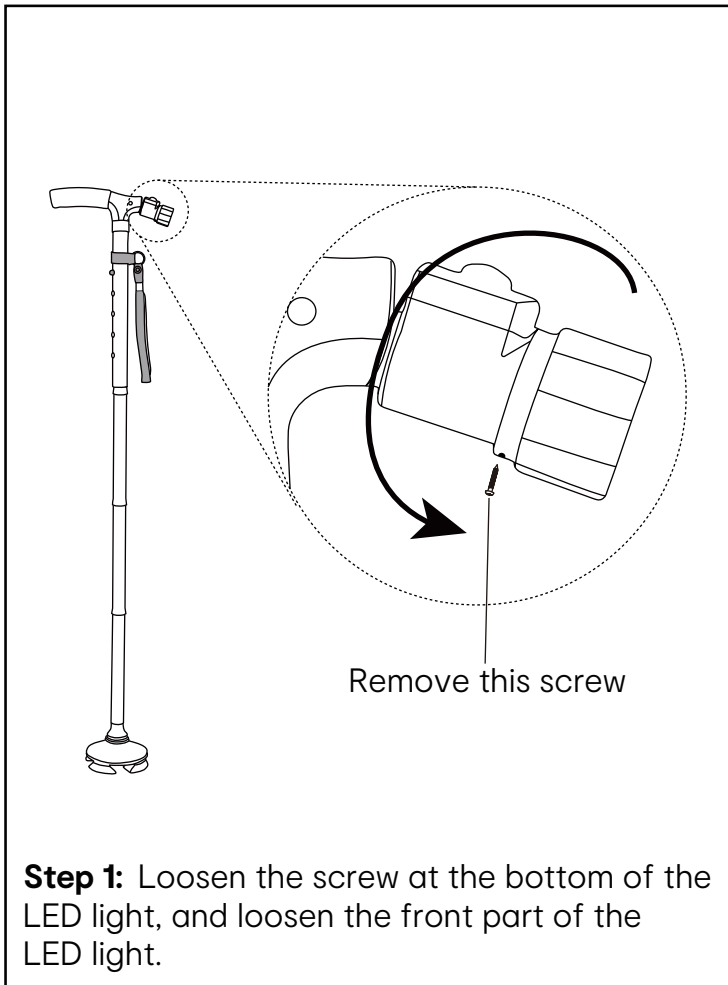


Assembly Instructions

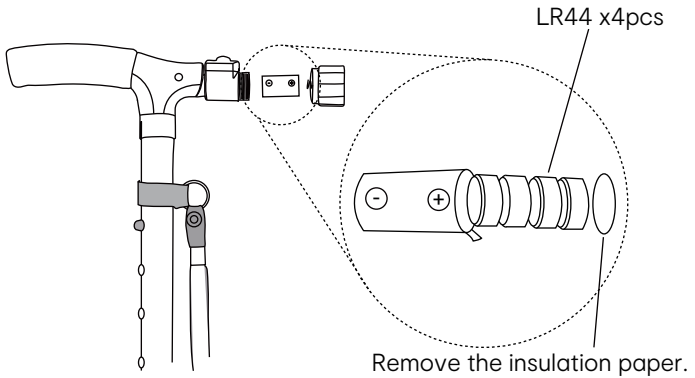


148mm

Assembly:

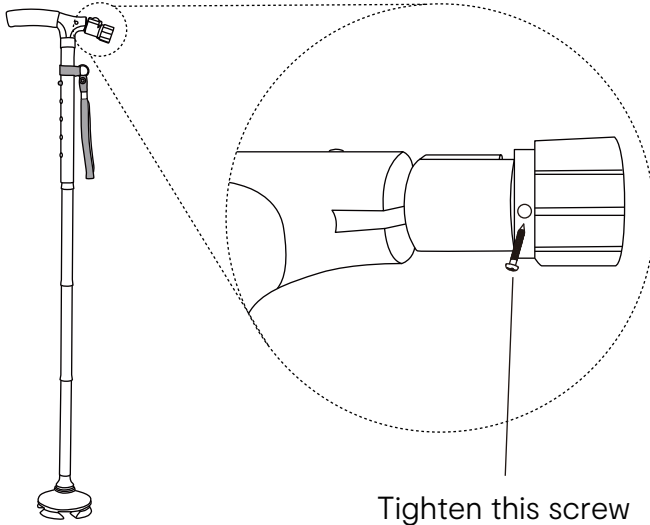


Assembly:



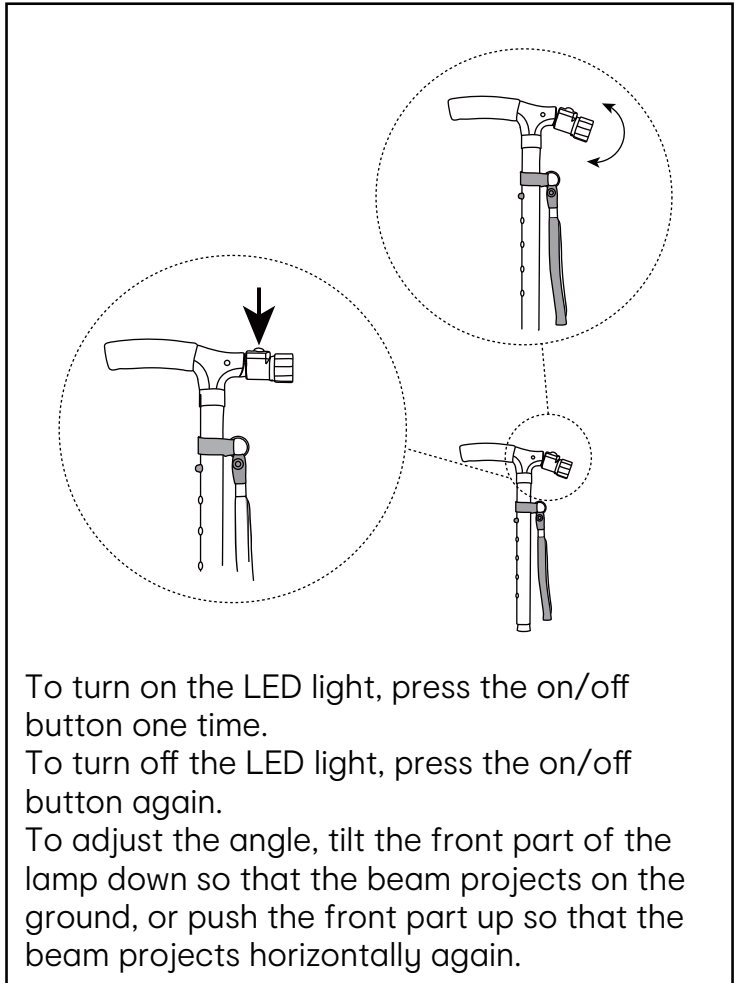
Step 2: Pull the short tube that holds the bottom cells (LR44 type PROVIDED) out of the battery compartment. Remove the insulation paper. Then, insert the short tube back into the battery compartment. (Observe the polarities when inserting.)

Assembly:



Step 3: Tighten the front part of the LED light, and tighten the screw at the bottom of the LED light.

Operation:



To turn on the LED light, press the on/off button one time.

To turn off the LED light, press the on/off button again.

To adjust the angle, tilt the front part of the lamp down so that the beam projects on the ground, or push the front part up so that the beam projects horizontally again.

WARNING: The foot of the unit needs periodic checking and tightening.
Unpack all parts and remove all protective films and stickers before use.
Maximum loading weight: 100kg

BUTTON CELL BATTERY WARNING:

- SWALLOWING MAY LEAD TO SERIOUS INJURY OR DEATH IN AS LITTLE AS 2 HOURS DUE TO CHEMICAL BURNS AND POTENTIAL PERFORATION OF THE OESOPHAGUS.
- DISPOSE OF USED BATTERIES IMMEDIATELY AND SAFELY. FLAT BATTERIES CAN STILL BE DANGEROUS.
- EXAMINE DEVICES AND MAKE SURE THE BATTERY COMPARTMENT IS CORRECTLY SECURED, E.G. THAT THE SCREW OR OTHER MECHANICAL FASTENER IS TIGHTENED. DO NOT USE IF COMPARTMENT IS NOT SECURE
- IF YOU SUSPECT YOUR CHILD HAS SWALLOWED OR INSERTED A BUTTON BATTERY, CALL THE 24HOUR POISONS INFORMATION CENTRE IN AUS ON 131126 OR IN NZ 0800 764 766 OR CONTACT YOUR COUNTRY'S EMERGENCY DEPT.

WARNING!



**Button cell batteries can
cause serious injury or
death if swallowed.
Dispose of safely!
Store batteries out of
reach of children!**

Visit TheBatteryControlled.com.au



DISPOSAL:

Before disposing of the unit, the batteries should be removed and disposed separately from the unit. For protecting the environment, non-rechargeable batteries should not be disposed of with normal household waste, but must be taken to suitable collection points. Also note the relevant statutory regulations about governing the disposal of batteries.