

Assembly Instructions

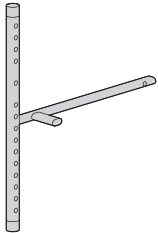
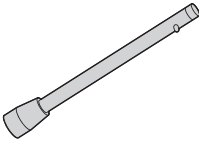
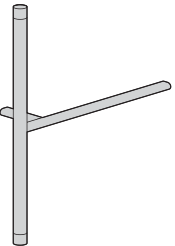
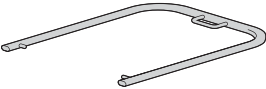
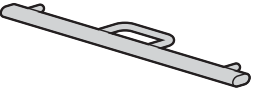
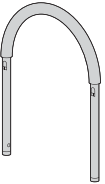
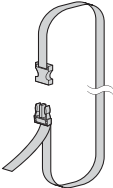

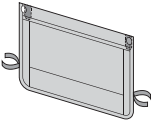
WARNING: Check screws and connections regularly to ensure that they are tightened.

Maximum loading weight: 100kg.

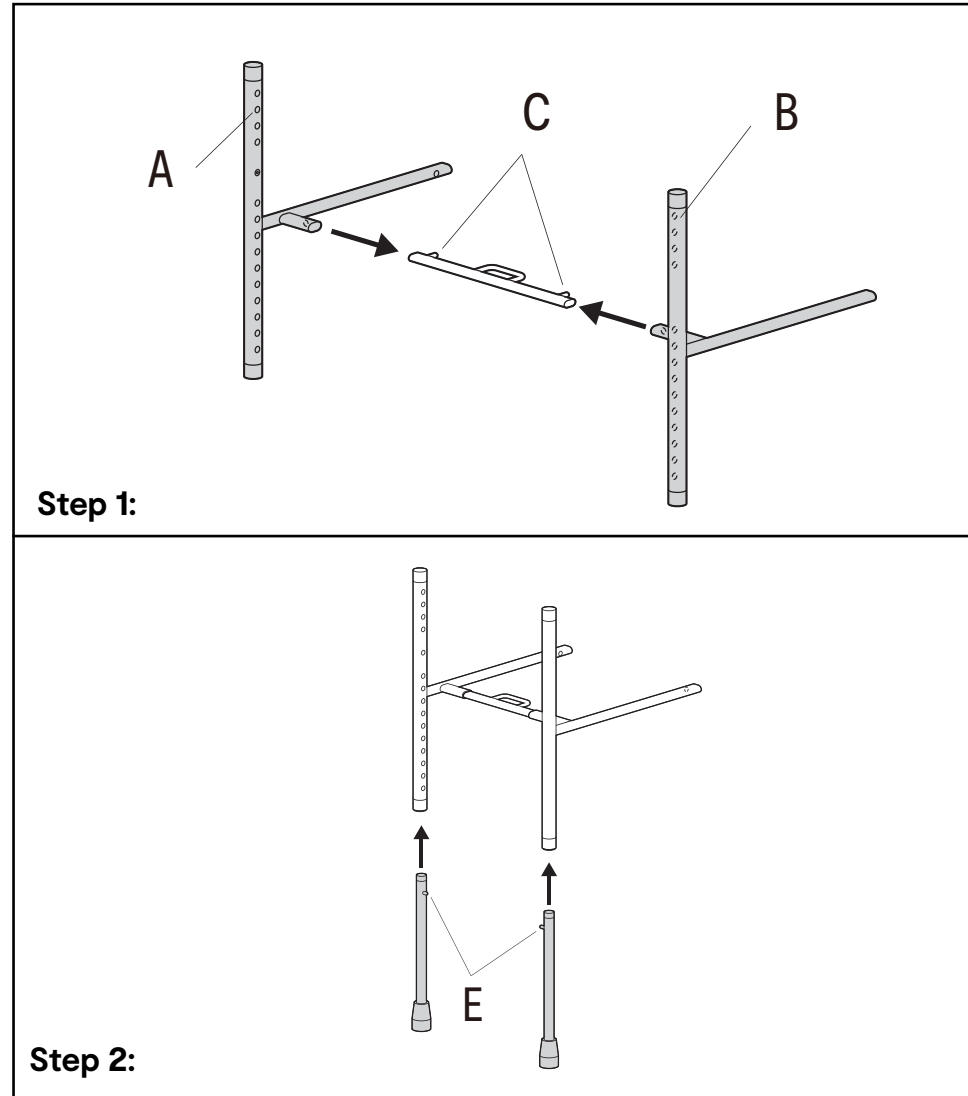
Height adjusting scope: 27-49.5cm

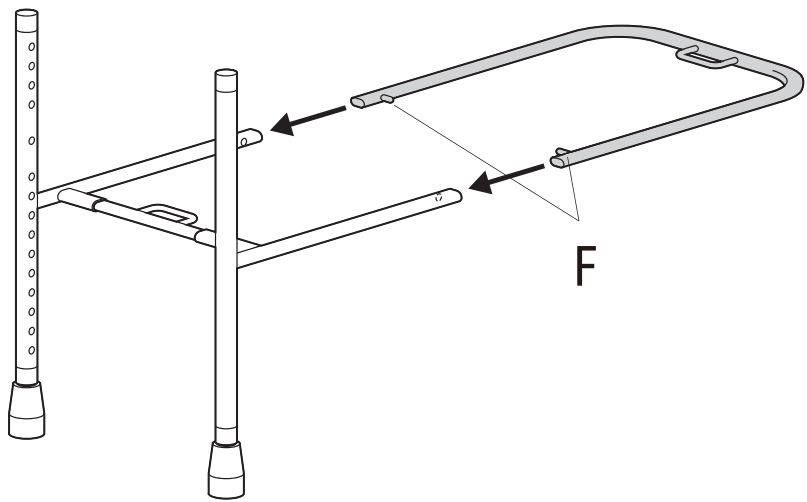
Maximum width of bed: 150cm

Hardware list

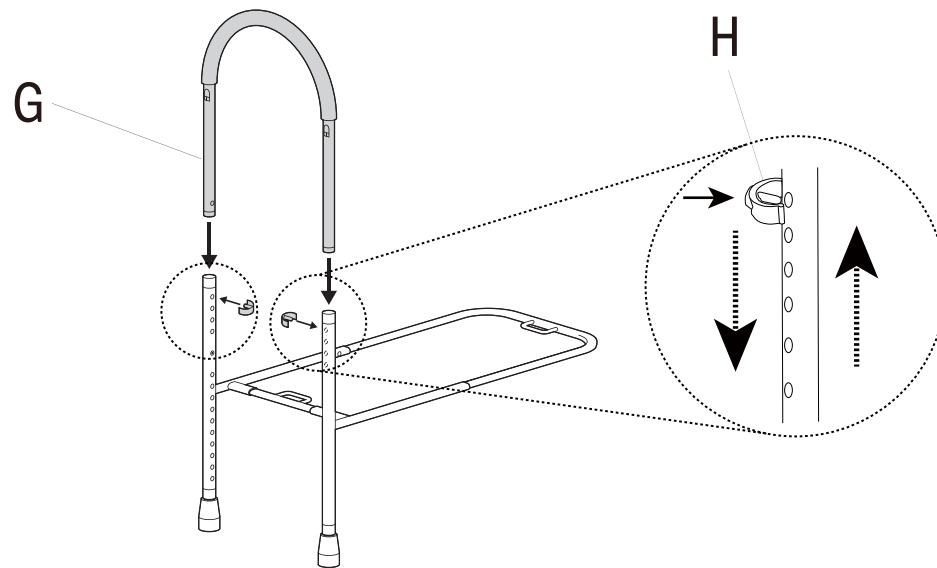
A		1pcs	E		2pcs
B		1pcs	F		1pcs
C		1pcs	G		1pcs
D		1pcs	H		2pcs
			I		1pcs

Assembly:

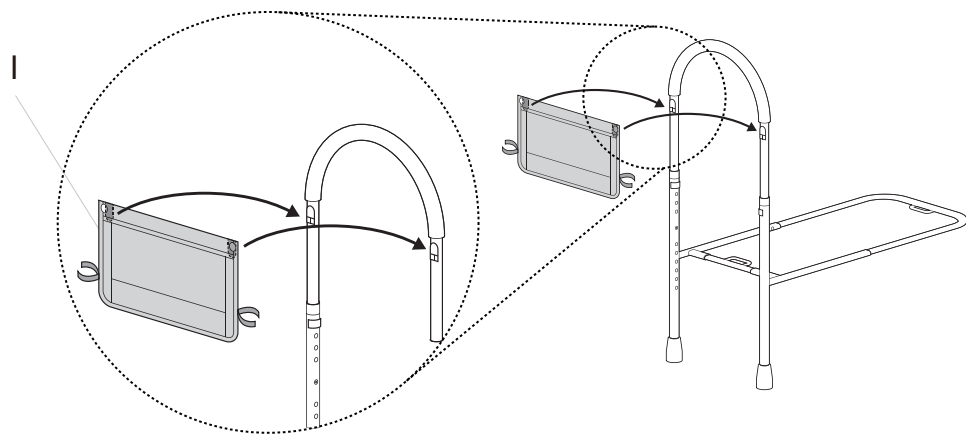




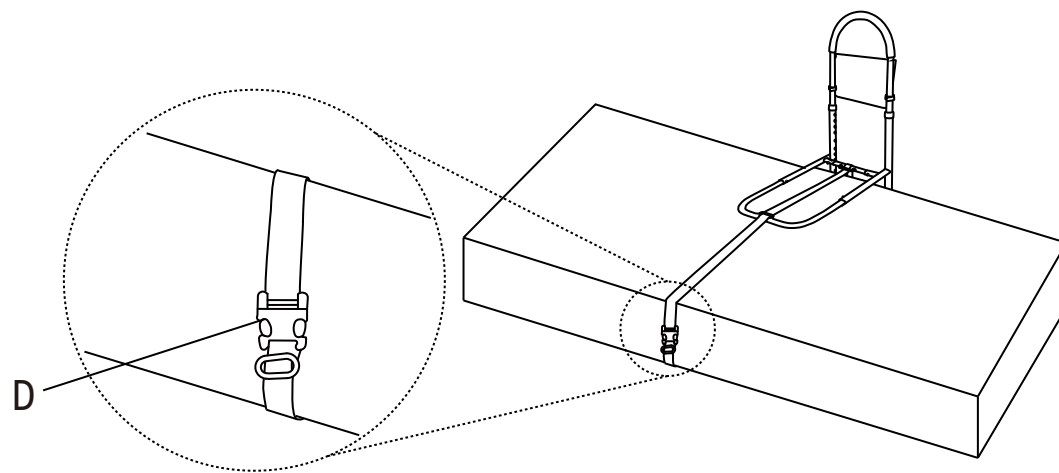
Step 3:



Step 4:



Step 5:



Step 6: