

Assembly Instructions

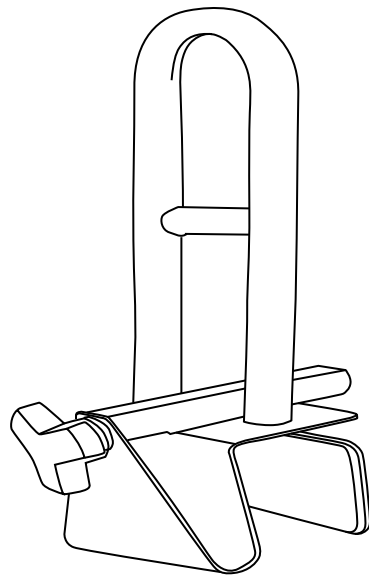
WARNING: THE BATH TUB SAFETY ASSIST IS NOT DESIGNED TO BE A WEIGHT BEARING DEVICE, BUT RATHER TO HELP “STEADY” THE USER WHILE TRANSFERRING INTO OR OUT OF A BATH TUB. FOR EXAMPLE, THE SAFETY ASSIST SHOULD NOT BE USED BY SOMEONE TO PULL HIMSELF OR HERSELF UP FROM A SITTING POSITION.

NOTE: THOROUGHLY CLEAN TUB WALL AREA WHERE SAFETY ASSIST IS TO BE APPLIED, AND WIPE DRY. ALL CONTACT SURFACES MUST BE DRY AND FREE OF SOAPY RESIDUE TO ASSURE SECURE ATTACHMENT.

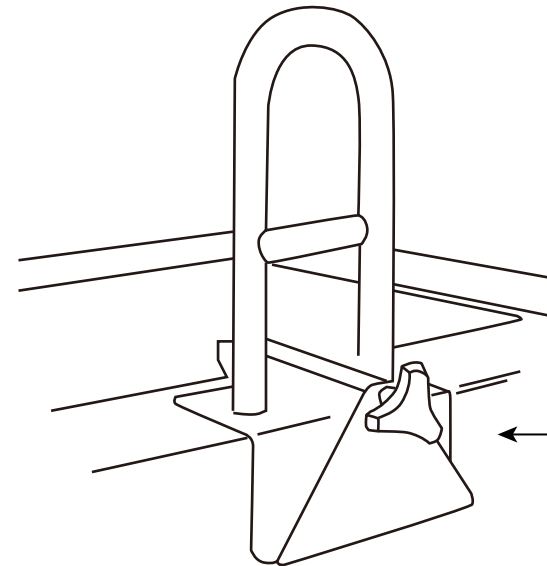
MAXIMUM LOADING WEIGHT: 100kg.

ADJUST SCOPE OF CLAMPING WIDTH: 7.65-15CM

adjustment knob



Step 1: Loosen adjustment knob by rotating counter-clockwise until platform opening is wide enough to fit around top of tub wall. Place unit on tub with adjustment knob outside of tub, and tighten snugly by turning knob clockwise.



adjustment knob
facing outside of tub

Step 2: Test the mounting of the unit by pulling it forward, backward, and side to side. If the unit moves, replace it at the desired position and retighten.