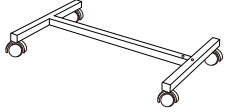
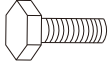

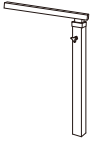
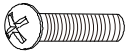

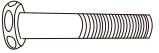



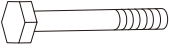



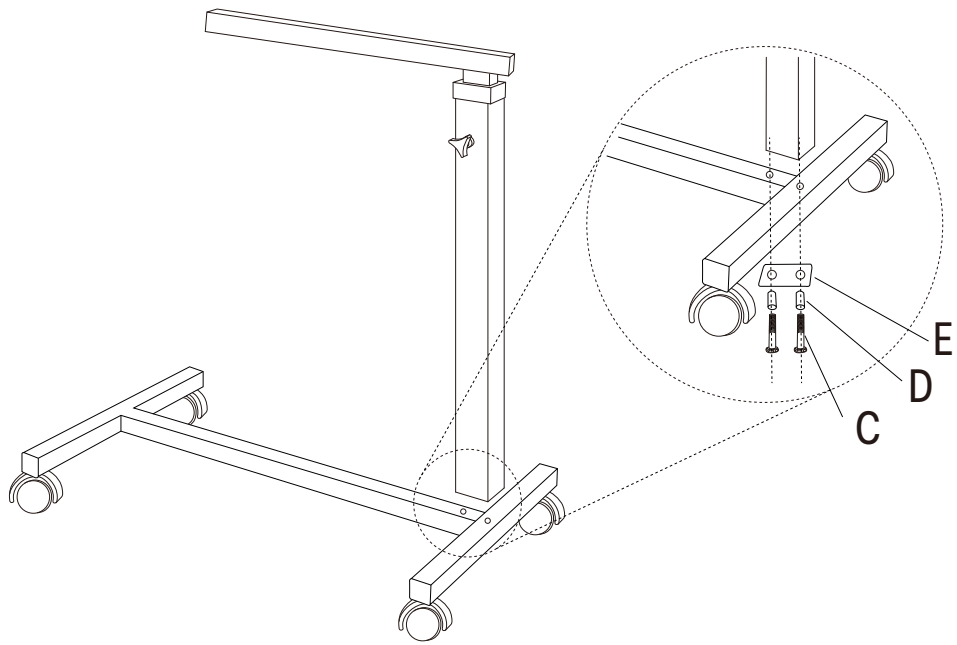


Assembly Instructions

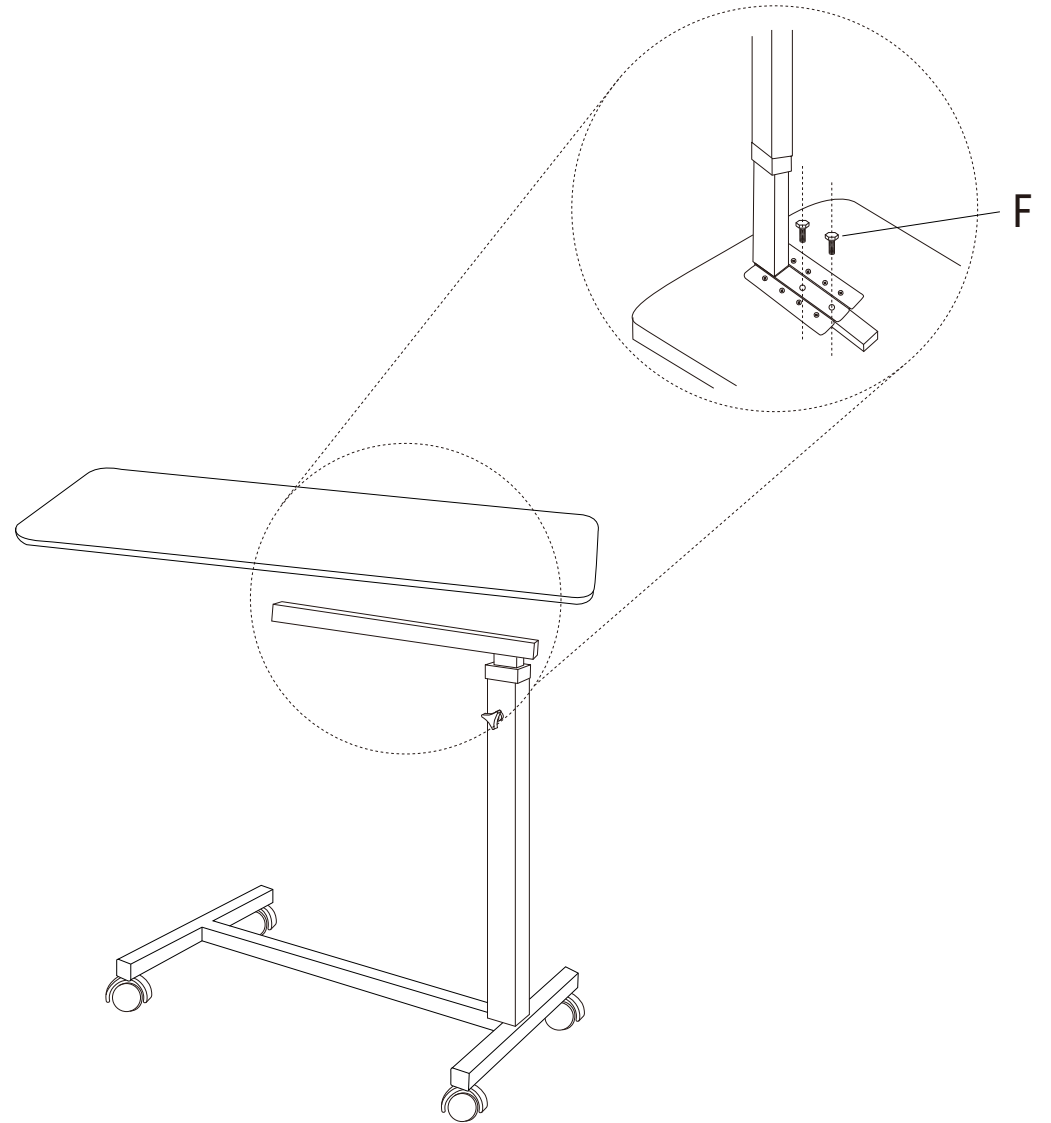
WARNING: IF THE OVERBED TABLE IS NOT PROPERLY ASSEMBLED AND INSTALLED, INJURY AND DAMAGE TO THE OVERBED TABLE COULD RESULT. ADJUSTABLE OVERBED TABLES HAVE A POWERFUL INTERNAL SPRING. DO NOT DISASSEMBLE THE TABLE OR LOOSEN ANY SCREWS. EXERCISE EXTREME CAUTION WHEN WORKING NEAR THE SPRING. LOAD EVENLY TO PREVENT FROM TIPPING OVER. DO REGULARLY CHECK FRAME SCREWS TO ENSURE THEY ARE TIGHT. REGULARLY CHECK CASTORS ROLL FREELY AND LOCKS WORK. MAXIMUM LOADING WEIGHT: 10kg. HEIGHT ADJUSTS SCOPE: 72.5-114.5cm.

Hardware list

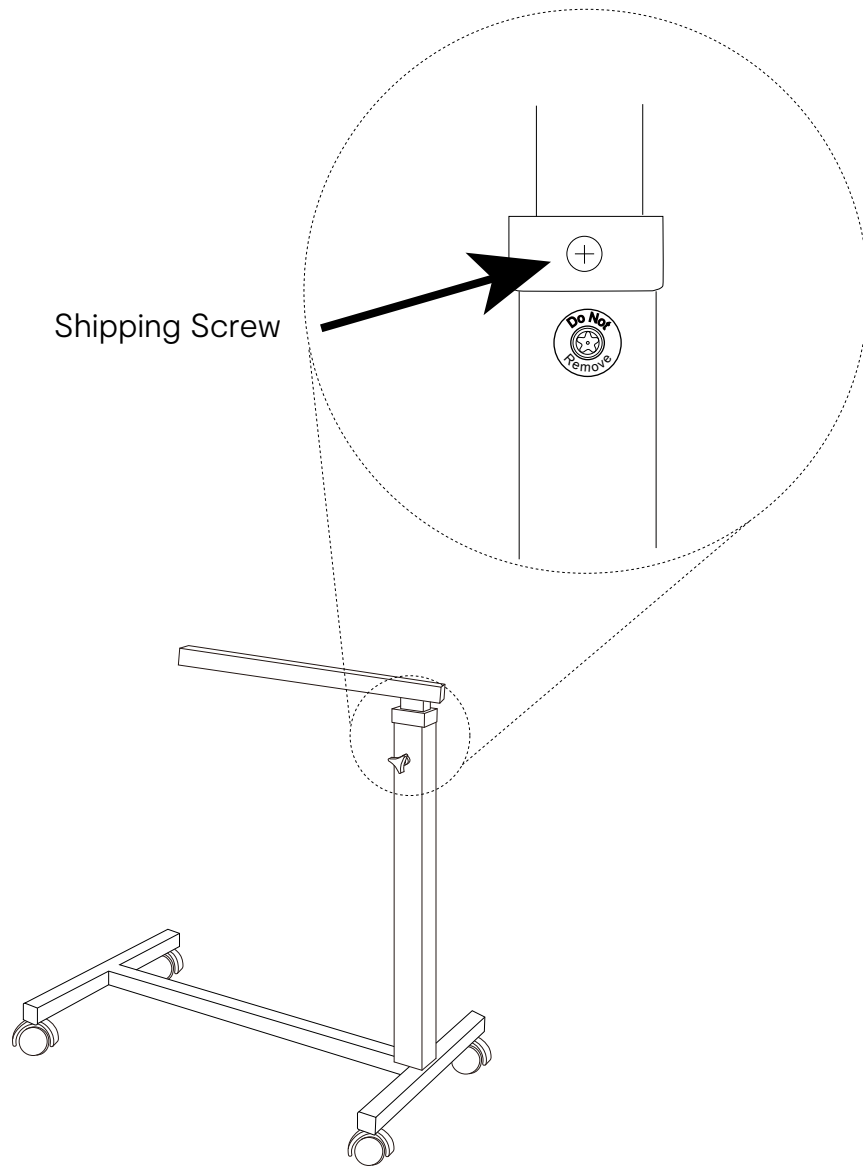
A		1pcs	F		2pcs	K		1pcs
B		1pcs	G		1pcs	L		1pcs
C		2pcs	H		1pcs	M		2pcs
D		2pcs	I		1pcs	N		1pcs
E		1pcs	J		1pcs			



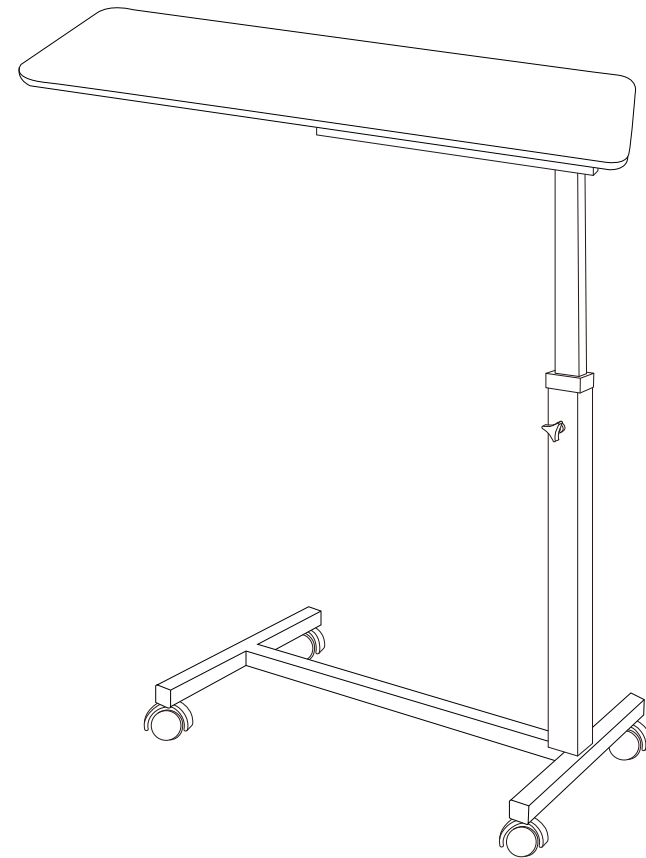
Step 1:

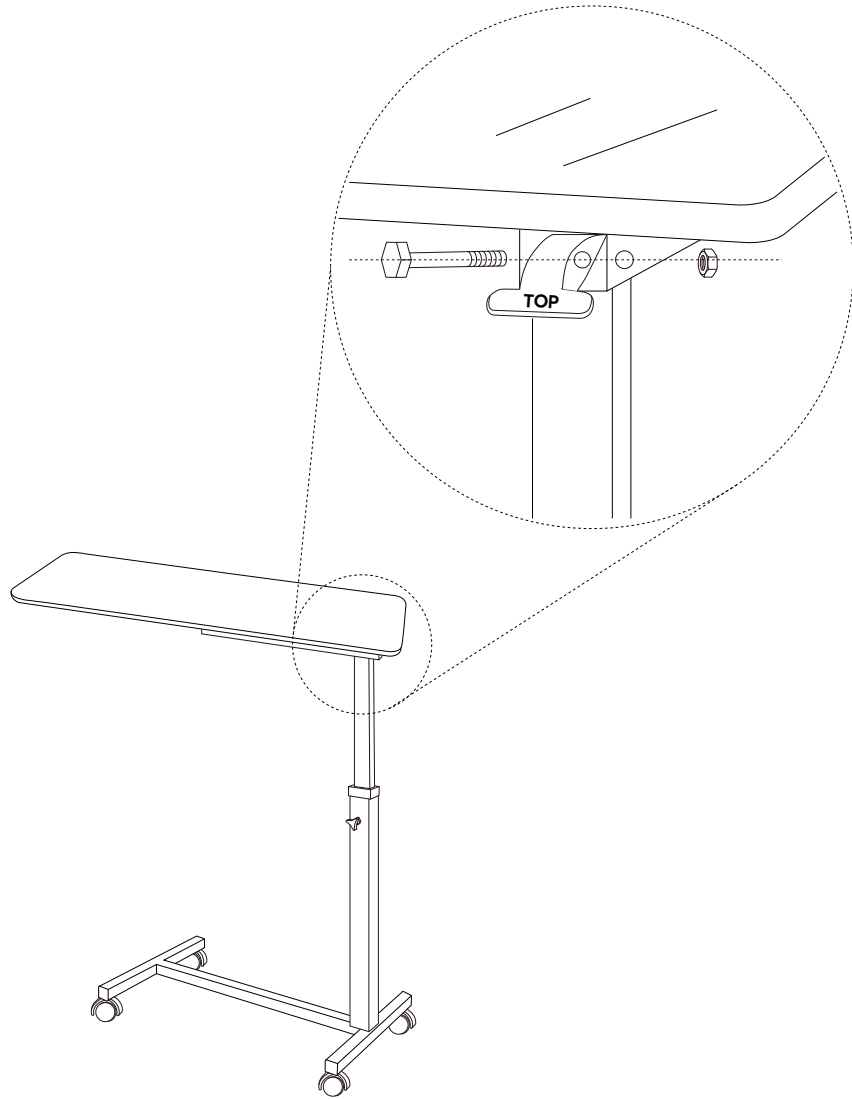


Step 2:

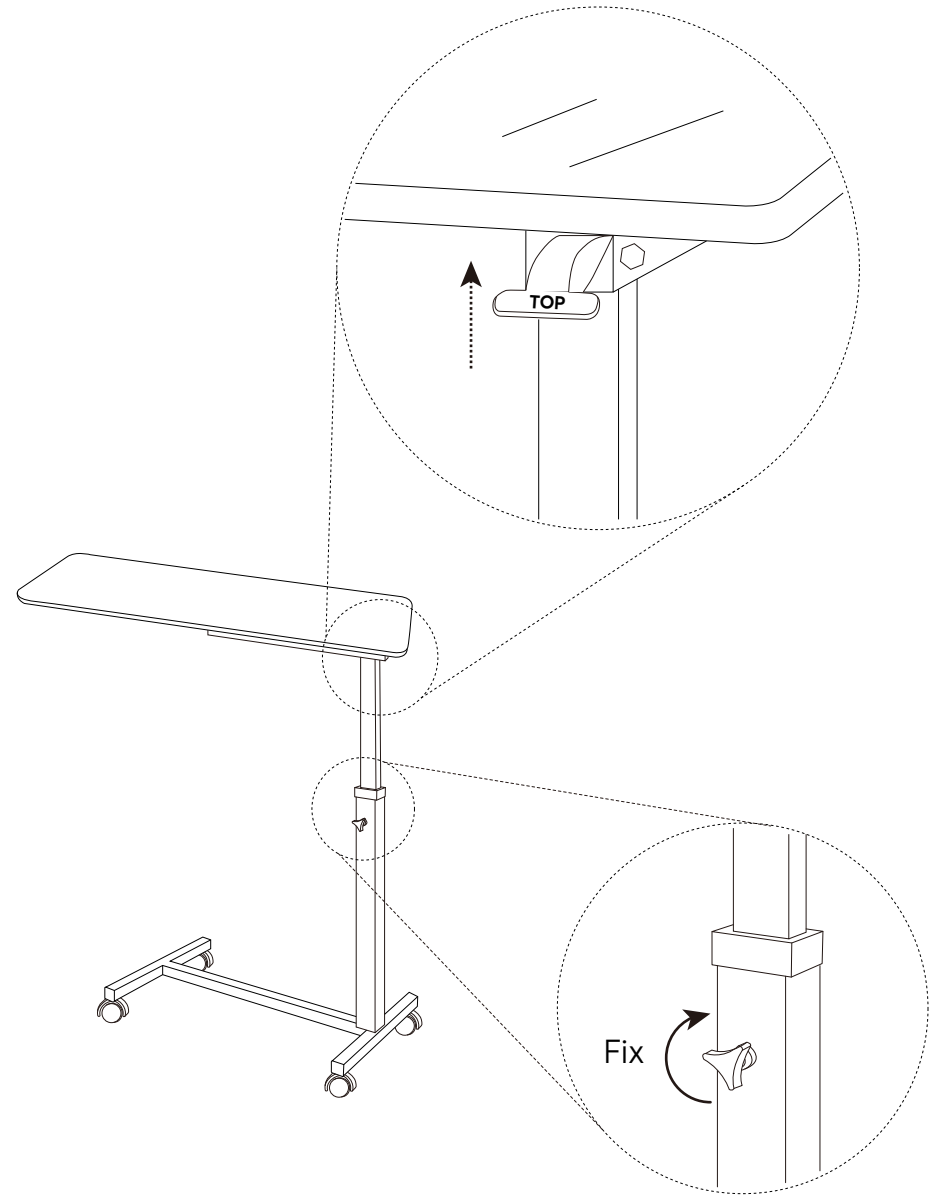


Step 3: Remove the shipping screw (top screw, **DO NOT REMOVE THE OTHER SCREW**) from the column and replace with Phillips screw (Part G) provided.





Step 5:



Step 6: Uplift TOP button and adjust the height of the table. Turn the knob to fix the table height.