

Assembly Instructions

42864042 2 SEAT SOFA

CARE INSTRUCTIONS:

WIPE CLEAN WITH A DAMP CLOTH. DO NOT USE ABRASIVE MATERIALS AND SOLVENTS. CHECK AND TIGHTEN ALL PARTS REGULARLY. KEEP AWAY FROM WATER AND DIRECT SUNLIGHT. STORE IN A DRY PLACE. FOR INDOOR AND DOMESTIC USE ONLY.

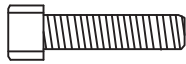
WARNING:

DO NOT STAND ON THIS UNIT. DO NOT USE THIS UNIT AS A STEP LADDER. SUITABLE FOR TWO PEOPLE USE ONLY. DO NOT USE UNTIL ALL SCREWS ARE FIRMLY SECURED. USE ONLY ON A FLAT SURFACE.

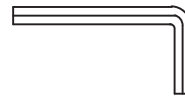
FAILURE TO FOLLOW THESE WARNINGS COULD RESULT IN SERIOUS INJURY.

MAXIMUM SAFE LOAD WEIGHT: 200KG.

HARDWARE LIST

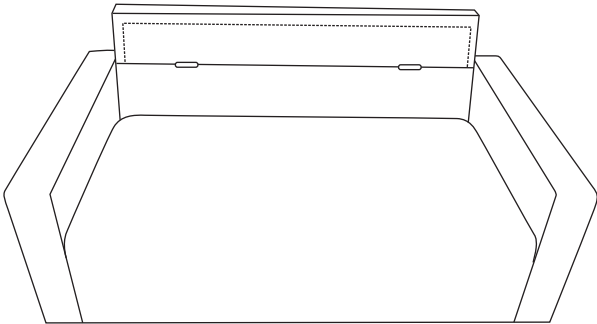


16 x A
Bolt
6x25mm

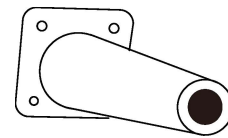


1 x B
Allen Key

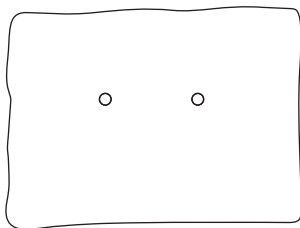
PARTS LIST



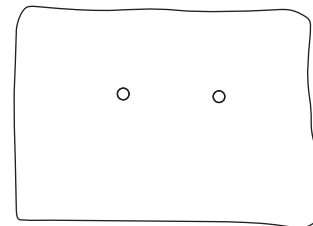
① 1 PC



② 4 PCS



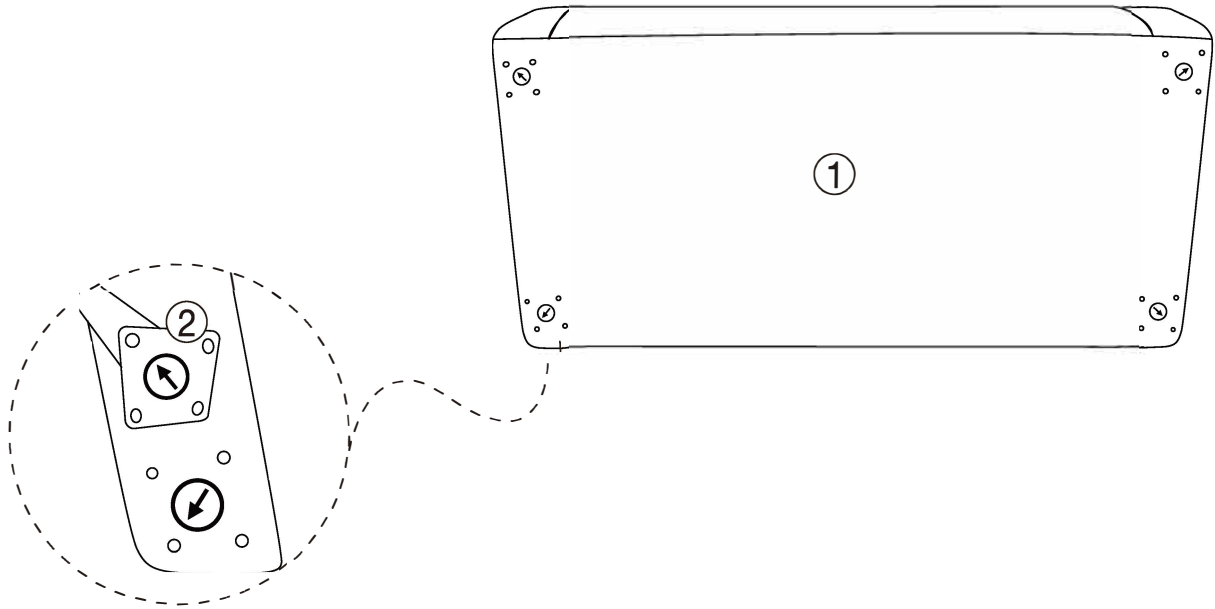
③ 1 PC



④ 1 PC

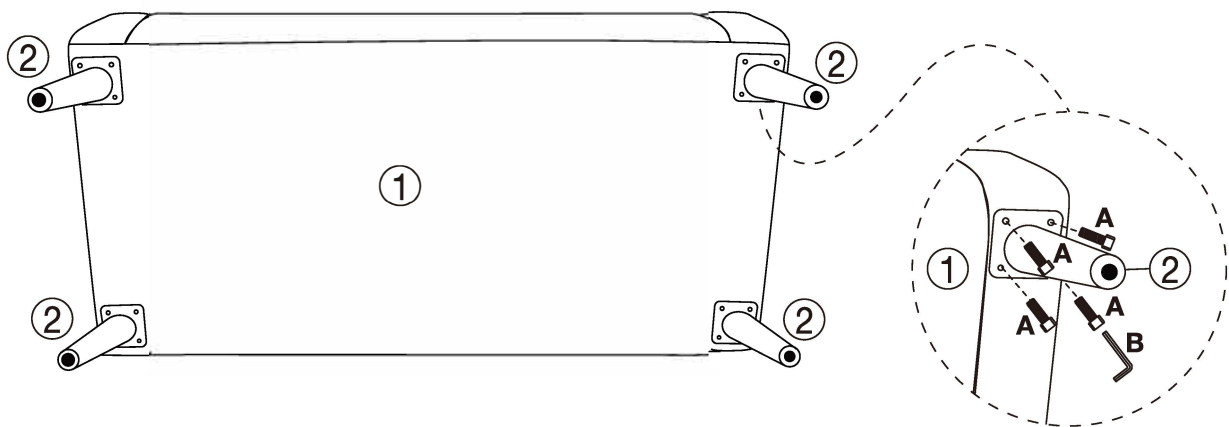
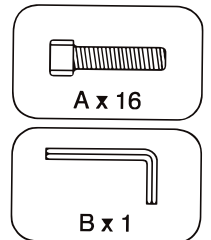
STEP 1

Align the legs (2) to the base (1) of the sofa, ensuring that the arrows align.
Secure legs (2) to base (1) of the sofa using bolts (A) and allen key (B).



STEP 2

Secure legs (2) to base (1) of the sofa using bolts (A) and allen key (B).



STEP 3

Lift the sofa upright.

Unfold the back rest into upright position.

Arrange cushions ③ and ④ on the sofa, as shown.

