

anko

Air Purifier
Model: KJ300GR-G1E
User Manual



PLEASE READ AND SAVE THESE
INSTRUCTIONS FOR FUTURE REFERENCE

IMPORTANT SAFETY INSTRUCTIONS:

When using electrical appliance. Basic safety precautions should always be followed including the following:

READ ALL INSTRUCTIONS BEFORE USING

- All components need to be installed in accordance with the user manual instructions for correct performance of unit.
- The use of accessory attachments not recommended by the appliance manufacturer may cause injuries.
- A unit should never be left unattended while plugged in.
- This appliance is not intended for use by persons (including children) with reduced physical, sensory or mental capabilities, or lack of experience and knowledge, unless they have been given supervision or instruction concerning use of the appliance by a person responsible for their safety.
- Children should be supervised to ensure that they do not play with the appliance.
- Do not operate any appliance with a damaged cord or plug or after the appliance malfunctions or has been damaged in any manner.
- If the supply cord is damaged, **DO NOT** use. For electrical safety, any repairs to the product should only be carried out by a qualified electrical person only or the product must be disposed.
- Do not use appliance for other than intended use.
- For electrical safety, do not attempt to adjust or repair the unit. Servicing must be performed by a qualified electrical person only.
- DO NOT use outdoors. For indoor use only.
- Keep the rear air inlet and outlet free from blockages from clothing, plastic bags, paper or similar material. Proper air flow is required for the unit to operate effectively.
- Place unit on a flat location at least 30cm away from wall or other appliances.
- Keep the unit away from fire, flammable gas, combustible products or vapours and corrosive substances.

- DO NOT operate the unit in bathrooms or other humid environments.
- DO NOT operate where aerosol (spray) products are being used, or where oxygen is being administered.
- Do not operate the unit without filters.
- Do not operate the product in any greasy environment, such as in the kitchen. This product is not intended to filter oil or grease from the air.
- Electrical supply must be disconnected prior to cleaning.
- NEVER drop or insert any object into any opening.
- DO NOT carry this unit by the power cord or use the power cord as a handle.

CAUTION

- Never cover the unit while it is operating.
- Always keep the cord away from high temperature and fire.
- Stop using this unit if there is an unusual noise or smell.
- Unplug this unit when not in use for a long period of time.
- Do not run cord under carpeting. Do not cover cord with throw rugs, runners, or similar coverings. Arrange cord away from traffic area and where it will not be tripped over.
- Do not touch the water or any parts of the unit that are covered by water while the unit is on or plugged in.

**FOR HOUSEHOLD USE ONLY
READ AND SAVE THESE INSTRUCTIONS**

FEAUTURES

3-Stage purification process

The 3-layer filter contains a Pre-filter, activated carbon filter and HEPA filter.

- The Pre-filter traps larger particles such as dust, pet hair and large-sized allergens.
- The Activated carbon filter absorbs common household odours, cigarette odours and smoke.
- The HEPA filter (Grade H11) removes 99.5% of particles as small as 0.3 microns and greater from the air. It is capable to remove smoke, dust, pollen, pet dander and mould spores in the air.

Ionizer

Turn on the ionising function which help to take the pollution out of the air.

Fan speed options

Allow selection for desired speed setting: low, medium, high and Turbo.

Auto mode

In auto mode, the speed of the fan speed will change automatically depending on the air quality as detected by the dust sensor.

Sleep mode

In sleep mode, the unit operates quietly at low speed. The SLEEP indicator is dimmed and all other indicators are off.

Air quality indicator

The air purifier has a built-in air quality sensor to detect changes to air quality in the surrounding area. Indicator will change colours according to the quality of the surrounding air:

Grade	PM 2.5 level	Air Quality	Colour of Light
1	≤50	Poor	RED
2	51-99	Fair	YELLOW
3	≥100	Good	BLUE

Filter change indicator

Indicator of corresponding filter will illuminate indicating that the filters need to be replaced. To reset the indicator after the filter has been replaced, press together TIMER and ION button for 3 seconds.

Timer

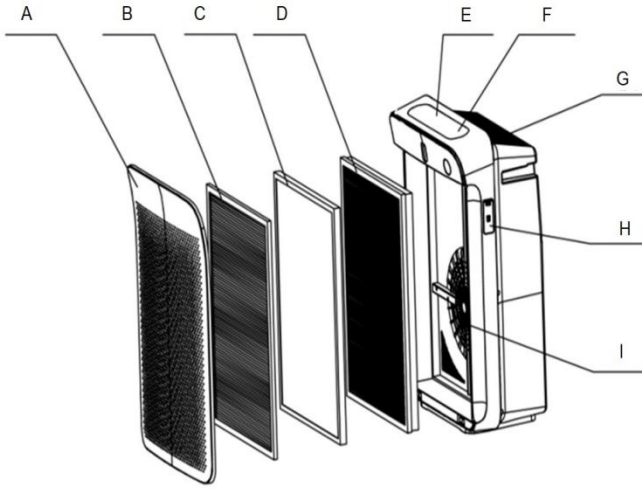
Programmable timer to turn off the unit after a pre-set amount of time. Press the "TIMER" button to program the timer at 2hr, 4hr and 8hr.

Child Lock

The control panel can be locked to inactivate the buttons.

IMPORTANT! Do not allow children to play with the air purifier.

PARTS

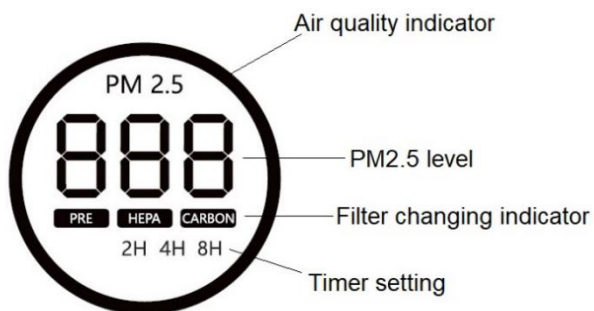


- A. Air inlet grille
- B. Pre-filter
- C. Activated carbon filter
- D. HEPA filter
- E. Control Panel
- F. PM2.5 indicator
- G. Air outlet
- H. Dust sensor
- I. Air inlet

CONTROL PANEL



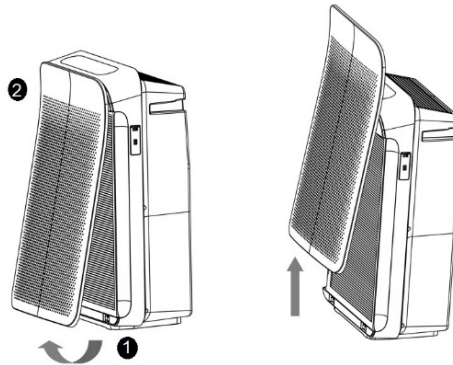
LED DISPLAY




HOW TO USE

IMPORTANT! Before first use, open air inlet grille by placing your hand in the recess of the side panels then gently pull the bottom part of the grille towards you to release interlock at position (1). Then lift up the grille to detach grille hooks at position (2), refer to below.

Unwrap filters before installing in the unit.



IMPORTANT! Check that the air inlet grille is properly hooked on to the main unit and bottom interlocks are fitted properly, or the unit will not turn ON.

1. Plug unit in to a 220-240V AC electrical outlet. ON/OFF  button illuminates RED to show the unit is in standby mode.
2. Press the ON/OFF button to turn on the unit. The air quality indicator light will illuminate, usually starting with a blue light until it has time to sense the air quality and then it may change to an alternate colour depending the air quality in the surrounding area.
3. The air purifier default setting is at AUTO mode.
4. To adjust the air purifier operates, follow the direction below.

Fan speed

To select speed, press SPEED button repeatedly until the desired fan speed is illuminated on the control panel. Fan speed will cycle from Low, Med High and Turbo.

Auto mode

To set Auto mode, press AUTO button until the AUTO icon illuminates. Press AUTO button again to turn it off.

Sleep mode

To turn on the Sleep mode, press the SLEEP button.

Timer

To set automatic off timer, press TIMER button until timer display is on desired time 2/ 4/ 8 H. Unit will automatically switch off once selected time duration has lapsed.

Child lock

Press the CHILD LOCK button for 3 seconds to activate child lock function. The Child Lock indicator will illuminate. When the child lock is on, all the other buttons are not responsive. Press the CHILD LOCK button for 3 seconds again to deactivate the child lock.

REMOTE CONTROL

Note: Require 2 AAA batteries (not included).

The air purifier comes with a remote control for your convenience. The remote control uses infrared for communication.

The functions on the remote control are the same as the buttons on the air purifier.

To install the batteries, first remove the battery cover on the remote control by sliding the battery cover back.

Install the batteries in correct polarity inside the battery compartment matching the polarity shown and then refit the battery compartment cover securely.

To prevent overheating DO NOT mix new and old batteries in the remote control.

To prevent corrosion, remove the batteries if the remote control is not used for a long period of time.



CLEANING AND MAINTENANCE

Caution: Before cleaning the unit, turn off the unit and unplug from the mains supply.

External cleaning of unit

- Turn off and unplug the unit.
- Use a soft cloth slightly dampened with a little water and dishwashing soap to wipe the outer surfaces.
- Do not allow water to slip into the internal parts as this could damage your unit and result in electrical shock and injury.
- Allow the unit to dry thoroughly before use.

Cleaning the dust sensor

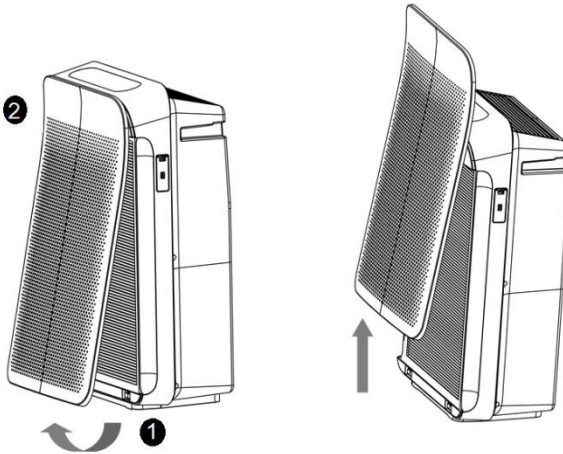
- Turn off and unplug the unit.
- Clean the dust sensor protective cover with a soft cloth.
- Remove the sensor cover, use cotton swab soaked in clear water to clean air sensor inlet.



- Use dry cotton swab to dry it.
- Re-install protective cover to dust sensor.

Cleaning the Pre-filter, Activated carbon filter and HEPA filter

- Turn off and unplug the unit.
- Release the air inlet grille first. Place your hand in the recess of the side panels then gently pull the bottom part of the grille towards you to release interlock at position (1). Then lift up the grille to detach grille hooks at position (2).



- Pull out the filters one by one with the fabric belt attached.
- Run a vacuum cleaner with brush attachment on low power setting along the Pre-filter, carbon filter or HEPA filter to pick up the dust and various particles.
- Re-attach filters and the air inlet grille.
- When placing the filters back into the air purifier, ensure that the fabric belts are facing outwards and the filters are facing towards the air inlet.
- Checked the air inlet grille had hooked on main unit and bottom interlocks fitted properly, or the unit will not turn on.

IMPORTANT! When placing the filters back into the air purifier, ensure the air inlet grille had locked into place or the unit will not turn on.

Note: It is recommended that the filters are cleaned every 100-500 hours of operation, depending on the air quality in the room and surroundings.

REPLACING FILTER

When the lifespan of the Pre-filter/ Activated carbon filter/ HEPA filter reach its end, discard the old filter and replace with a new one.

The lifespan and duration of the filter depends on the air quality in the surrounding environment. The higher level of pollutants, the shorter the filter lifespan. It is advisable to change the filter at 8-12 months or when filter changing indicator light turns ON.

How to replace filter

- Turn off and unplug the unit.
- Release the air inlet grille, refer steps show in “Cleaning Pre-filter, Activated carbon filter and HEPA filter”.
- Pull out the filters one by one with the fabric belt attached.
- Install a new filter in position, make sure back cover had locked into place.

- Press TIMER and ION buttons together for 3 seconds to reset Filter Change Indicator.

IMPORTANT! When placing the filters back into the air purifier, ensure the air inlet grille had locked into place or the unit will not turn ON.

TECHNICAL DATA

MODEL NO.	KJ300GR-G1E
VOLTAGE	220-240V
POWER CONSUMPTION	60 Watt
CLEAN AIR DELIVERY RATE	320m ³ /h
COVERAGE AREA	22-38m ²

TROUBLESHOOTING

Some problems may be caused by minor faults that you can be corrected yourself. To do so, follow the instructions in the following table. If it is still not possible to resolve the problem, contact Kmart customer service. Do not attempt to repair the air purifier yourself.

Problem	Possible cause	Solution
Power Light is off/ No power	<ul style="list-style-type: none">• Unit is not plugged in• No power at outlet	<ul style="list-style-type: none">• Plug the unit to mains supply, press the POWER button to turn the power on• Check circuits and fuses or try a different outlet
Reduced airflow or Poor filtering	<ul style="list-style-type: none">• Air inlet or outlet may be blocked• HPEA filter may be clogged	<ul style="list-style-type: none">• There must be at least 30cm between unit and wall or other appliances.• Remove any blockages that cover the air inlet/outlet.

12 Month Warranty

Thank you for your purchase from Kmart.

Kmart Australia Ltd warrants your new product to be free from defects in materials and workmanship for the period stated above, from the date of purchase, provided that the product is used in accordance with accompanying recommendations or instructions where provided. This warranty is in addition to your rights under the Australian Consumer Law.

Kmart will provide you with your choice of a refund, repair or exchange (where possible) for this product if it becomes defective within the warranty period. Kmart will bear the reasonable expense of claiming the warranty. This warranty will no longer apply where the defect is a result of alteration, accident, misuse, abuse or neglect.

Please retain your receipt as proof of purchase and contact our Customer Service Centre on 1800 124 125 (Australia) or 0800 945 995 (New Zealand) or alternatively, via Customer Help at Kmart.com.au for any difficulties with your product. Warranty claims and claims for expense incurred in returning this product can be addressed to our Customer Service Centre at 690 Springvale Rd, Mulgrave Vic 3170.

Our goods come with guarantees that cannot be excluded under the Australian Consumer Law. You are entitled to a replacement or refund for a major failure and compensation for any other reasonably foreseeable loss or damage. You are also entitled to have the goods repaired or replaced if the goods fail to be of acceptable quality and the failure does not amount to a major failure.

For New Zealand customers, this warranty is in addition to statutory rights observed under New Zealand legislation.

