

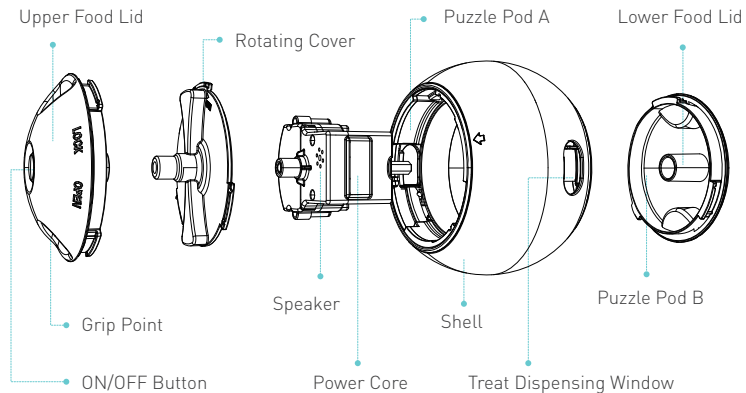
anko

## Dog Treat Orb



## Contents

- Dog Treat Orb



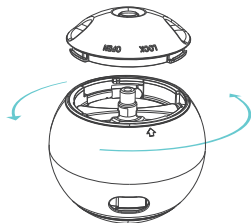
## Tech Specs

Battery	2 x 1.5V AAA batteries (not including)
---------	--

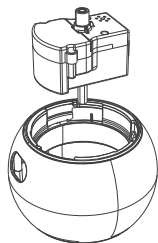
## Set-Up Instructions

1. Twist the upper treat lid until it opens and screw the rotating cover of the device.
2. Remove the power core.
3. Unscrew the back of battery box with a screw driver, insert a pair of 1.5V AAA batteries (not included) and tighten the screws with a screwdriver (not included).
4. Put the power core back, twist the rotating cover and upper treat lid until the device locks in place.

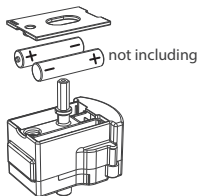
1.



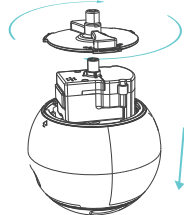
2.



3.

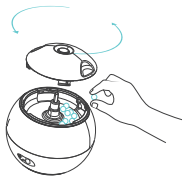


4.



## Filling Treats into the Orb

1. Twist the treat lid to open it.
2. Add your dog's favorite treat into the puzzle pod.



3. Put the lid back and twist it until tight.

## Orb Function

1. Press and hold the ON/OFF button for 3 seconds, and it will make a sound. Then put the ball on the floor.



2. Time to roll, eat and play!

Note: The device will enter into sleep mode after one minute; pat to reactivate it.

## Cleaning the Orb

1. Open the device and remove the power core;
2. Wash the washable parts by food detergent or fresh water and dry it before using again.



Unwashable ✕



Washable ✓

## **Warning**

1. The device is especially designed for pets. This is not a child's toy. Please keep out of reach of children except under adult supervision.
2. Not a chew toy. Do not provide it for heavy chewers. Always supervise your pet while your pet is playing. Please take away the device if it is damaged, broken or falls apart, as this may lead to undesirable injuries.
3. The power core part is not washable, so please keep it away from water.
4. Check the device regularly, in case the core is damaged, and the electrical power hurts the dog (Please be careful even the working voltage is very low).
5. Recommended to use the device where the ambient temperature is between 0°C and 40°C.
6. The safety gear is designed for power core protection and it rattles when the ball falls down. Please be reassured that the use of the product.
7. Do not mix old and new batteries or batteries of different brands. Do not mix alkaline, standard, or rechargeable batteries. Only use batteries of same or equivalent type as recommended. Do not use rechargeable batteries.

8. Insert batteries with the correct polarity and always follow the manufacturer's instructions.
9. Remove batteries if product will be stored for an extended period.
10. Dispose of used batteries responsibly.

