

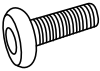
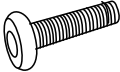
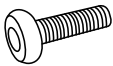
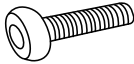
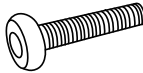

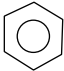

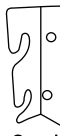


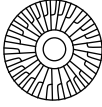
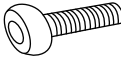


Assembly Instruction

42871651 QB BED FRAME

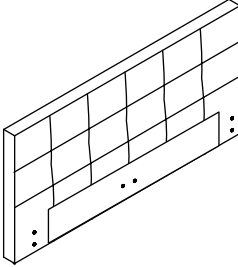

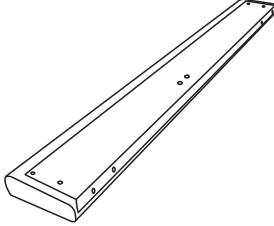
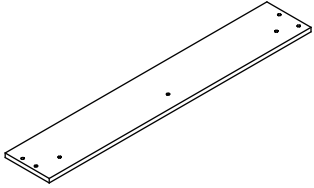
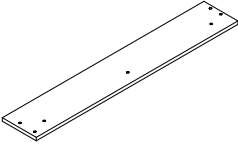

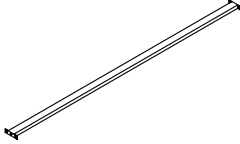
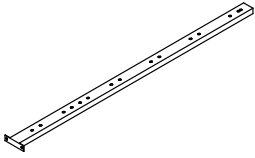
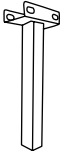
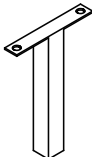
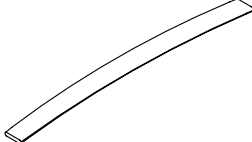

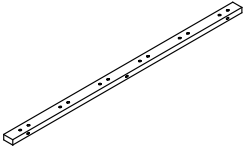

CARE INSTRUCTIONS: WIPE CLEAN WITH A DAMP CLOTH. DO NOT USE ABRASIVE MATERIALS AND SOLVENTS. CHECK AND TIGHTEN ALL PARTS REGULARLY. KEEP AWAY FROM WATER AND DIRECT SUNLIGHT. STORE IN A DRY PLACE. FOR INDOOR USE ONLY. FOR DOMESTIC USE ONLY.

WARNING: TIGHTEN ALL THE SCREWS BEFORE USE. FAILURE TO FOLLOW THESE WARNINGS COULD RESULT IN SERIOUS INJURY. **MAXIMUM SAFE LOAD: 250KG.**

Hardware List

							
8 x A Bolt (M8x20 mm)	8 x B Bolt (M8x30 mm)	4 x C Bolt (M6x20 mm)	16 x D Bolt (M6x40 mm)	3 x E Bolt (M6x60 mm)	40 x F Washer	6 x G Nut	
							
2 x H Bracket (L)	2 x I Bracket (R)	1 x J Spanner	1 x K Tool	4 x L Non-slip Washer	8 x M Bolt (M6x30 mm)	16 x N Spring Washer Large	16 x O Spring Washer Small

Parts

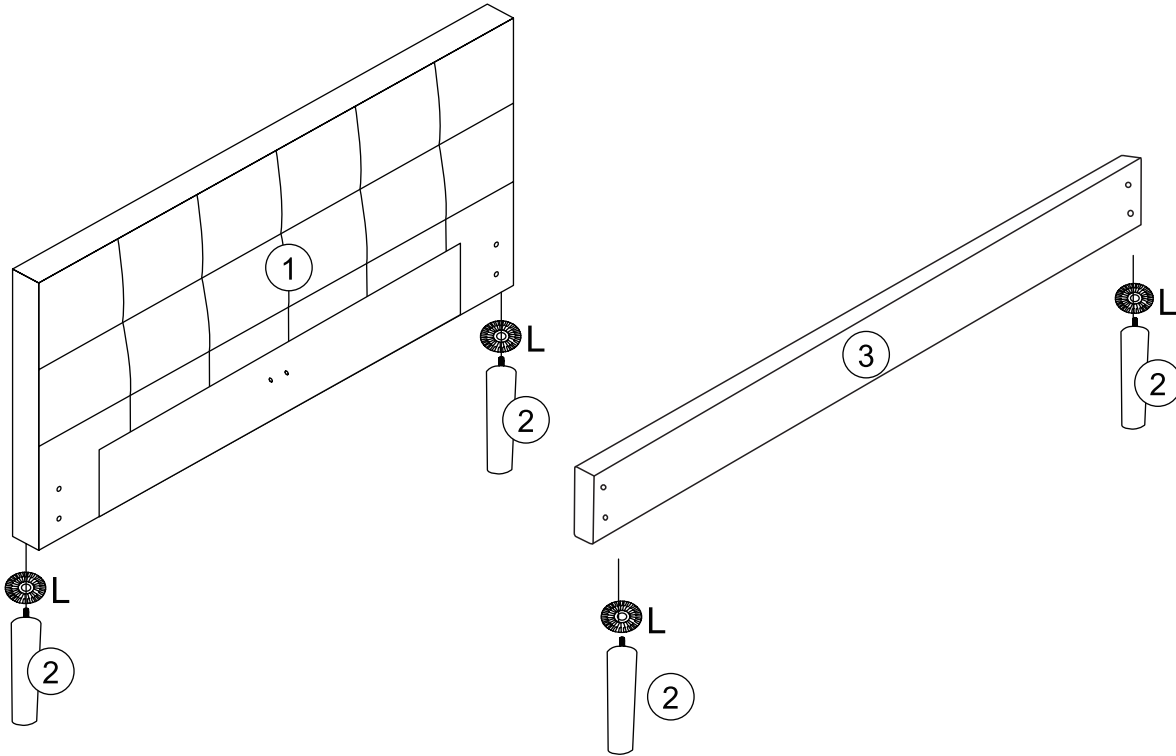
				
① - 1pc	② - 4pc	③ - 1pc	④ - 2pcs	
				
⑤ - 2pcs	⑥ - 2pcs	⑦ - 1pc	⑧ - 2pcs	⑨ - 1pc
				
⑩ - 2pcs	⑪ - 24pcs	⑫ - 12pcs	⑬ - 4pcs	⑭ - 24pcs

Step 1

Fix feet ② to parts ① and ③ using non-slip washers L, as shown.



L x 4



Step 2

Please note: Do not fully tighten bolts until all parts have been assembled.
Fix foot ⑥ to parts ④ and ⑤ using washers F, bolts M, and tool K, as shown.



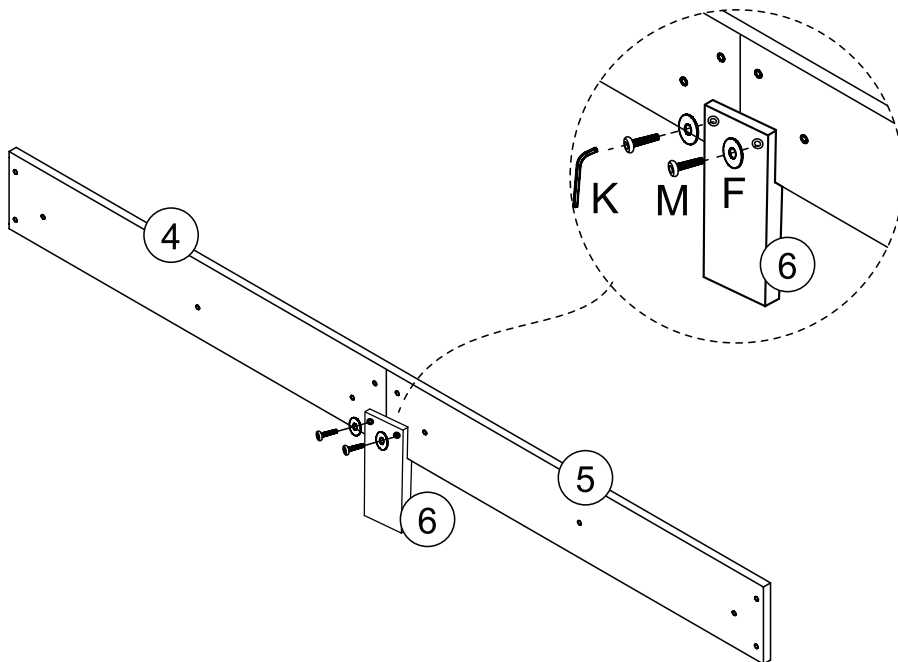
F x 4



K x 1



M x 4

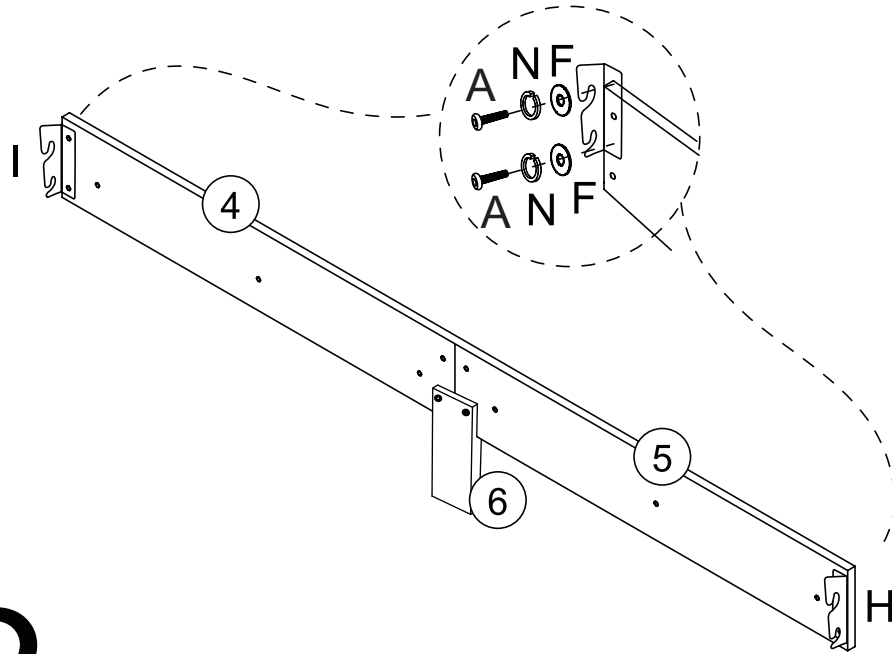


x2

Repeat for both side parts.

Step 3

Fix brackets **H** and **I** to parts **④** and **⑤** using washers **F**, spring washers **N**, bolts **A**, and tool **K**, as shown.



A x 8



F x 8



H x 2



I x 2



K x 1



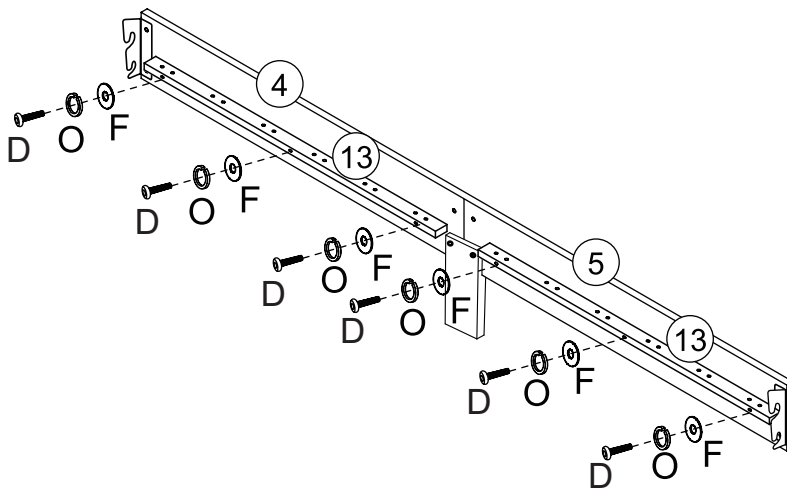
N x 8

x2

Repeat for both side parts.

Step 4

Fix parts **⑬** to parts **④** and **⑤** using washers **F**, spring washers **O**, bolts **D**, and tool **K**, as shown.



D x 12



F x 12



K x 1



O x 12

x2

Repeat for both side parts.

Screw bolts **B** through washers **F** and spring washers **N** to secure to parts ① and ③, using tool **K**, as shown. Only screw in half the bolt length. Slot brackets on parts ④ and ⑤ over half tightened bolts.



B x 8



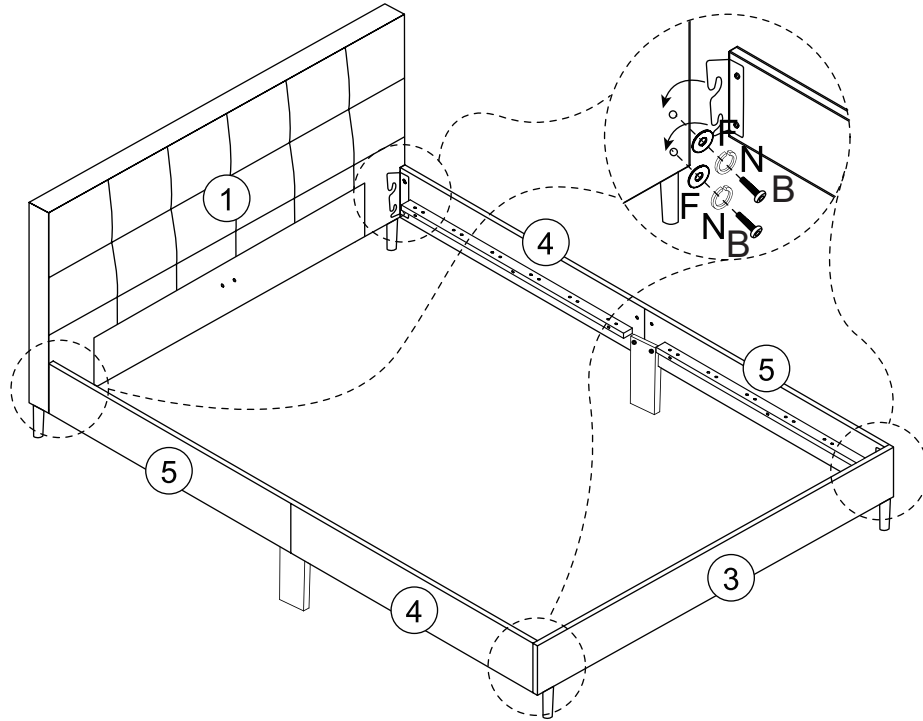
F x 8



K x 1



N x 8



Step 6

Fix support rail ⑦ to assembled bed frame using washers **F**, spring washers **O**, bolts **C**, and tool **K**, as shown.



C x 4



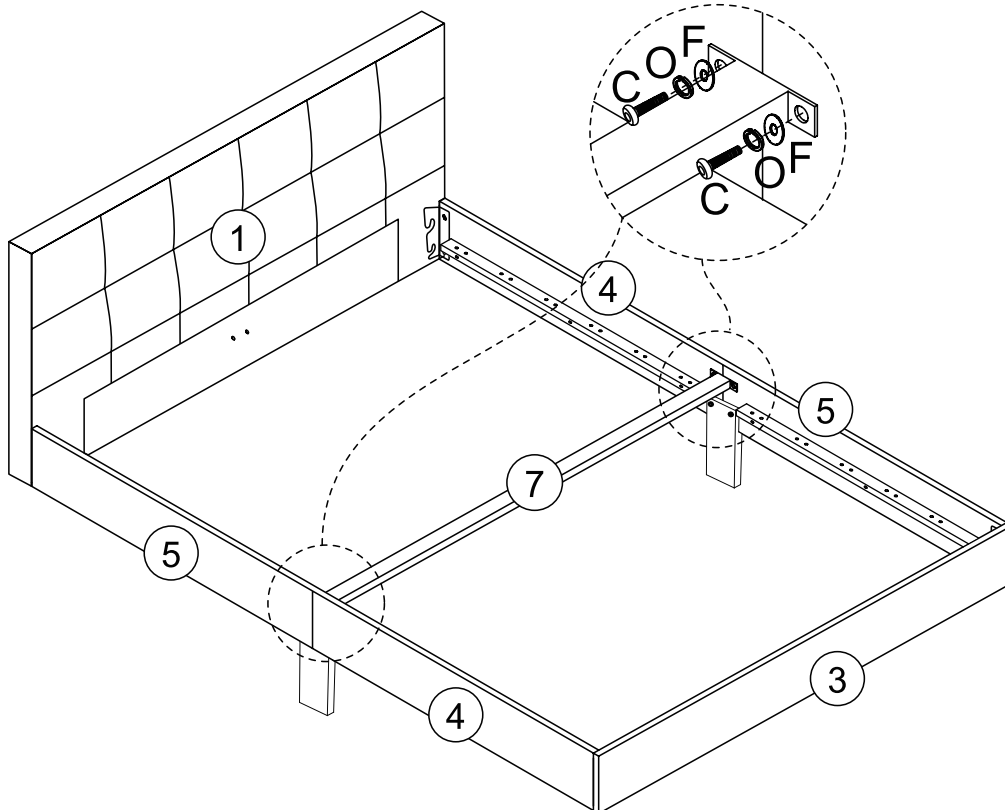
F x 4



K x 1

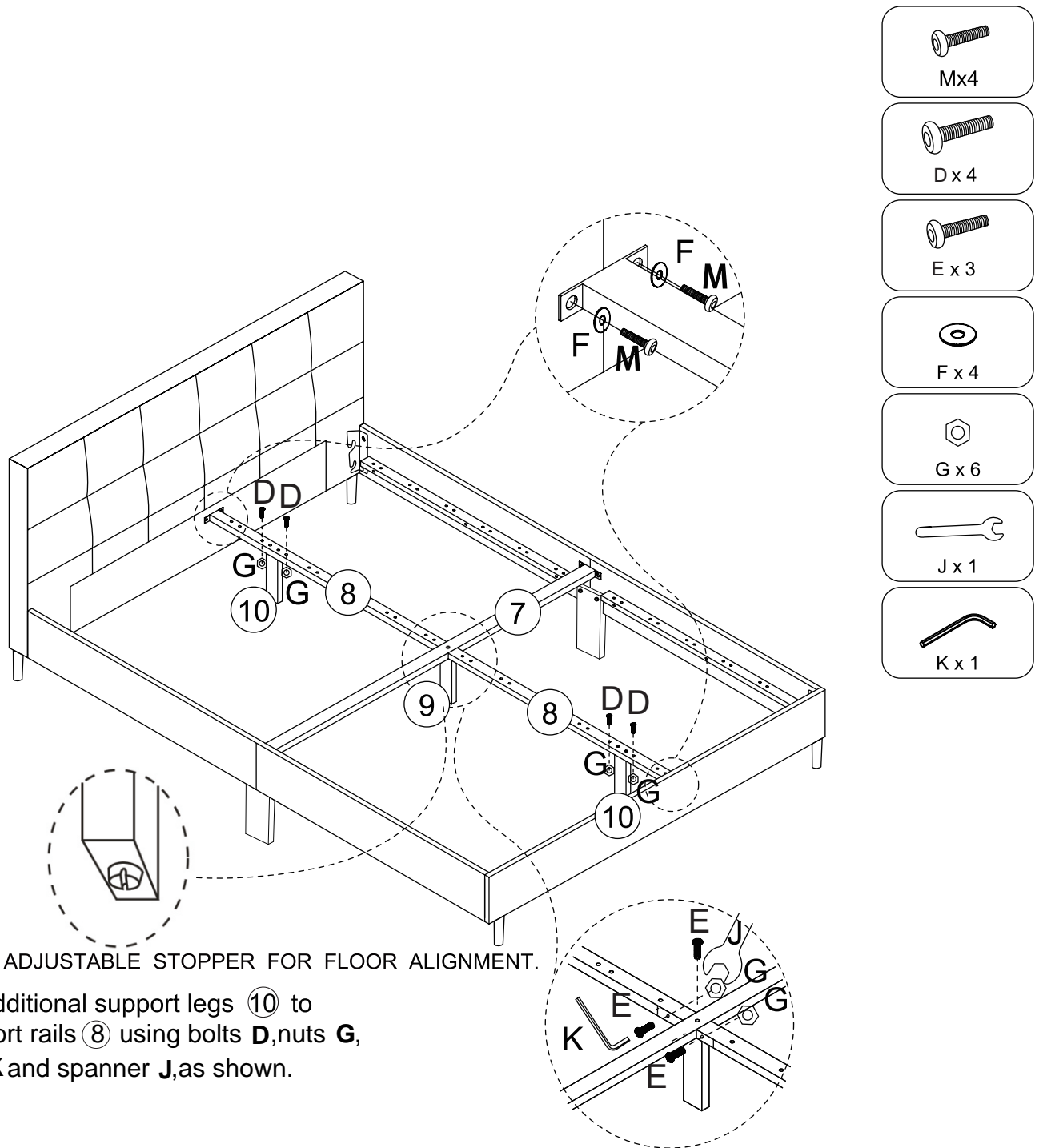


O x 4



Step 7

Fix support rails ⑧ to assembled bed frame using washers **F**, bolts **M**, and tool **K**, as shown.
Fit centre support leg ⑨ under join between support rails ⑦ and ⑧. Secure support leg ⑨ to rails ⑧ using bolts **E**, nuts **G**, tool **K** and spanner **J**.
Secure support rail ⑦ to support leg ⑨ using bolt **E**.



NOTE: ADJUSTABLE STOPPER FOR FLOOR ALIGNMENT.

Fix additional support legs ⑩ to support rails ⑧ using bolts **D**, nuts **G**, tool **K** and spanner **J**, as shown.

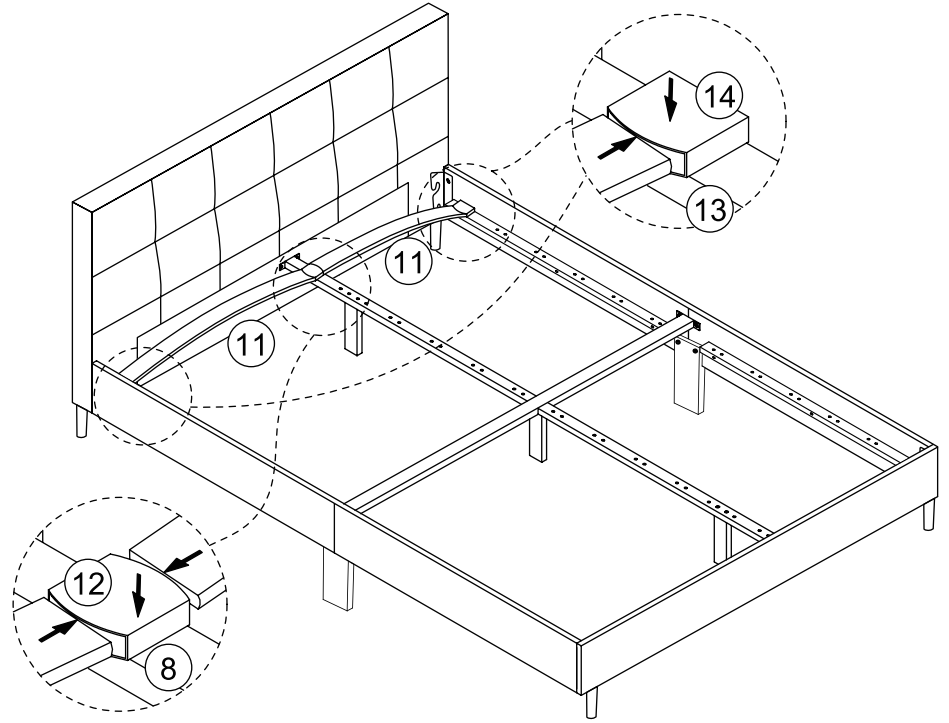
Step 8

Fit two slat pieces ⑪ together using joining part ⑫.

Press part ⑫ down on holes in centre support rail to lock in place.

Fit loose end part ⑭ to the ends of the slats.

Press part ⑭ down on holes in side support rails to lock in place.

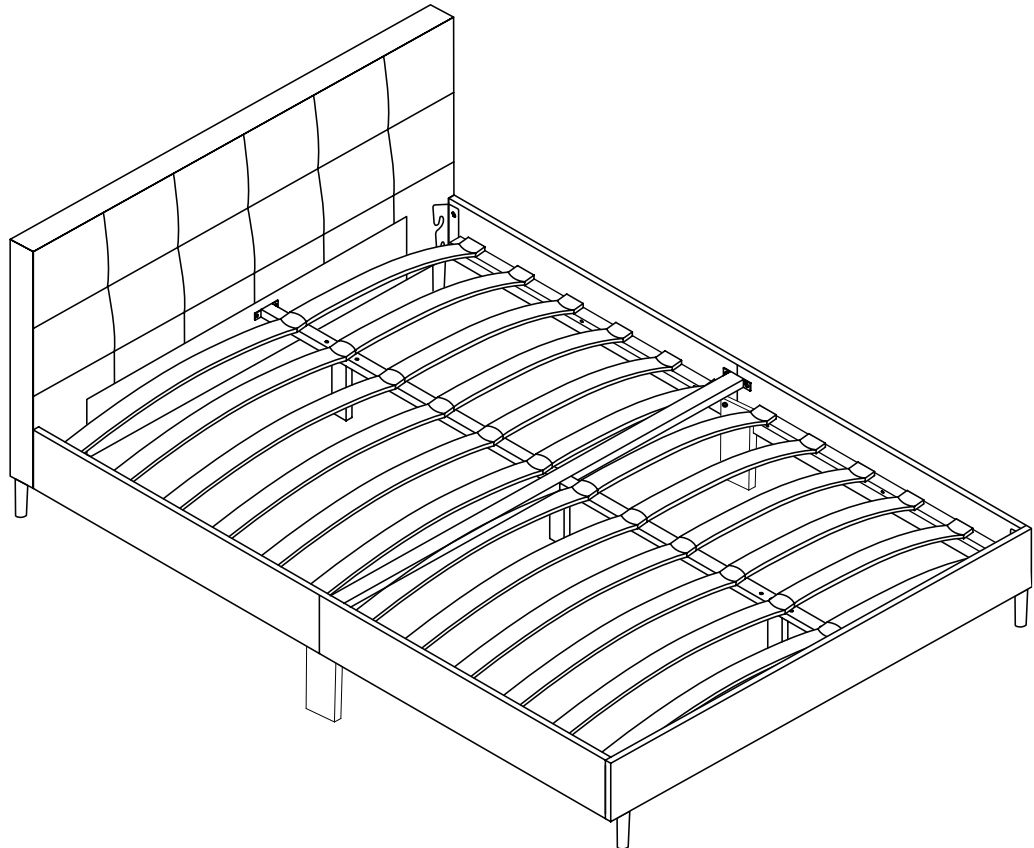


x24

Repeat for all 24 slats.

Step 9

Your queen bed is ready for use.



Please note: Before use, ensure bolts are fully tightened. Do not over tighten bolts.