

# Assembly Instruction

## 42875604 BAMBOO 4 TIER SHELF UNIT

**CARE INSTRUCTION:**








A mild odour may be present when first opening this carton. Simply allow to air outside and this will be fade.

**WARNING:**



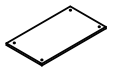
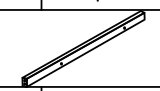
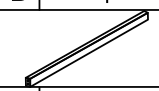
This package contains small parts and sharp points, keep unassembled parts away from children and babies.

**Maximum load for each layer: 3KG.**

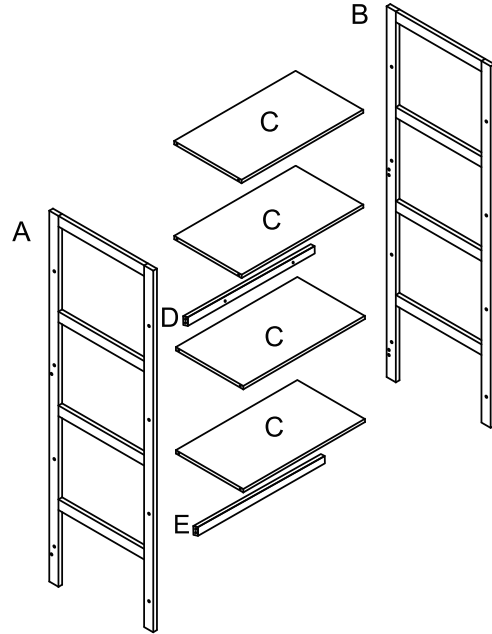
### ① Hardware List

	①	5x45mm	20pcs		⑤	4x35mm	2pcs
	②	6x30mm	4pcs		⑥		16pcs
	③		2pcs		⑦		1pc
	④		4pcs				

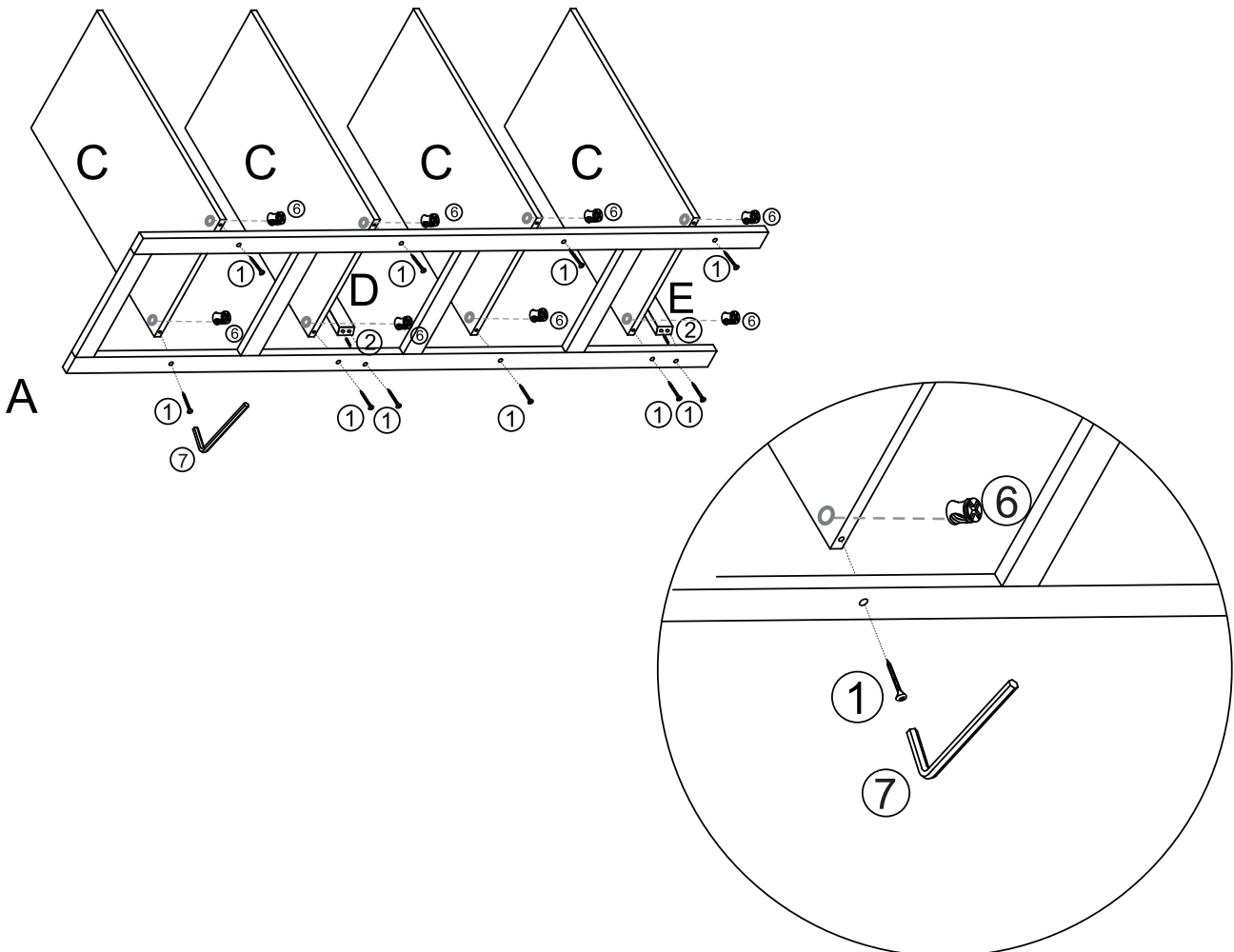
②

	A	1pc		B	1pc		C	4pcs
	D	1pc		E	1pc			

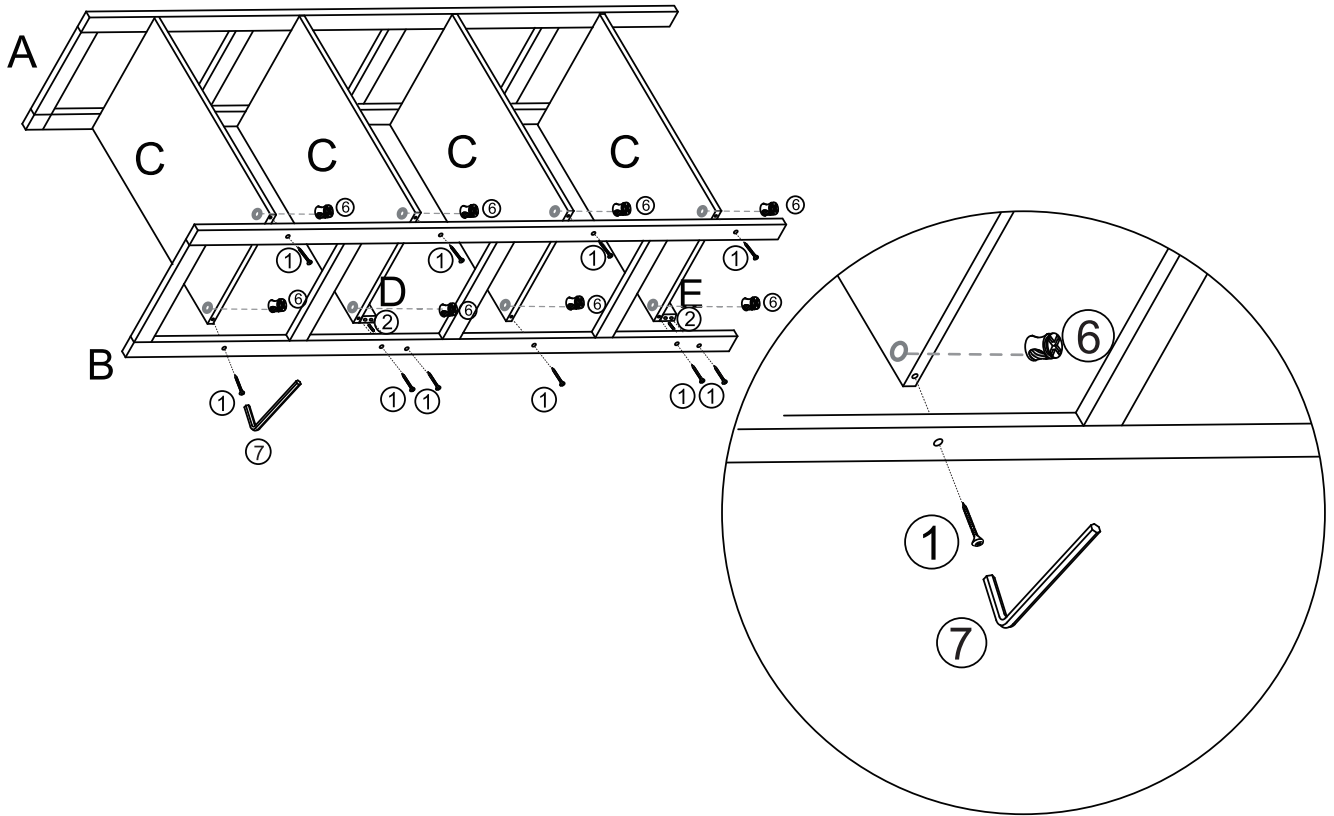
③



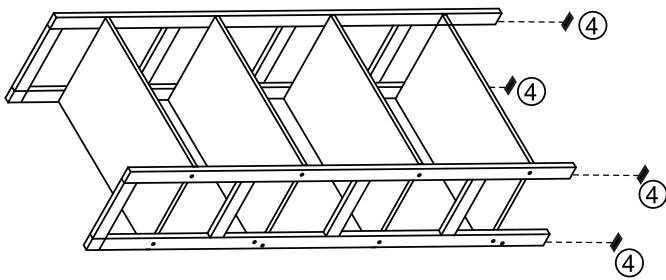
### Step:1



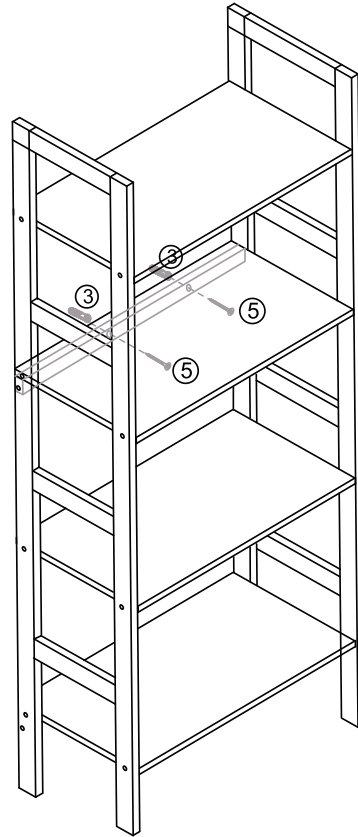
## Step:2



## Step:3



## Step:4



### User instruction for wall anchor:

It is strongly recommended that this product is permanently fixed to the wall. Please seek professional advice if you are in doubt of what fixing device to use. Regularly check that anchors are securely maintained.

Caution: for your safety when attaching the anchor fixings, please note the following: check any electrical wires or plumbing inside the wall before drilling any holes (if you are unsure please seek professional advice from a qualified tradesperson)