

# Assembly Instruction



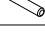





## 42877684 STACKABLE STORAGE UNIT

**WARNING:**

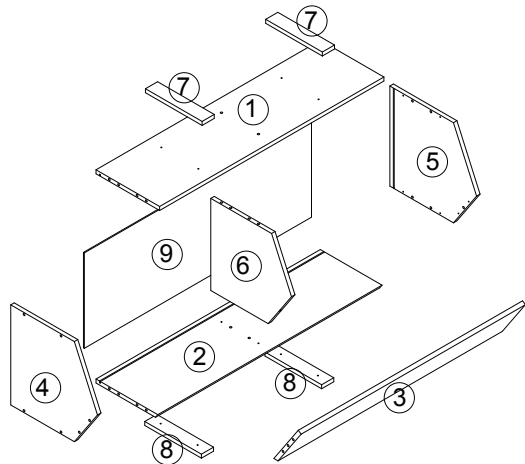
DO NOT STAND OR SIT ON THIS UNIT. DO NOT USE THIS UNIT UNLESS ALL BOLTS AND SCREWS ARE FIRMLY SECURED. DO NOT KNOCK OR DRAG THIS UNIT. USE ONLY ON A FLAT SURFACE. FAILURE TO FOLLOW THESE WARNINGS COULD RESULT IN SERIOUS INJURY. THIS PACKAGE CONTAINS SMALL PARTS AND SHARP POINTS. KEEP AWAY FROM CHILDREN AND BABIES.

**MAXIMUM SAFE LOAD: 10KG FOR TOP PANEL, 5KG FOR INSIDE DRAWER.**

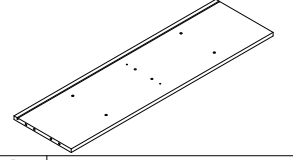
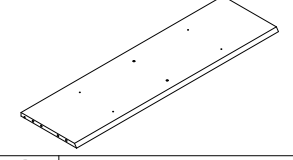
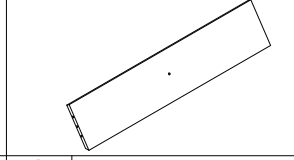
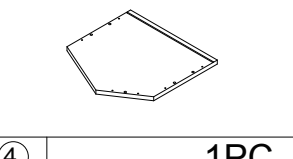
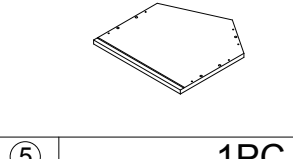
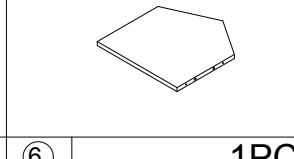
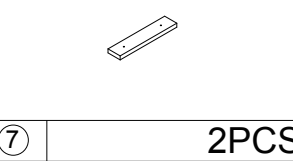
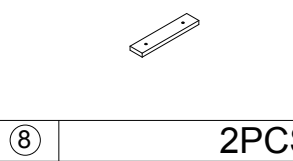
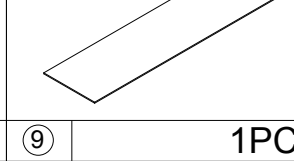
### 1 Hardware List

	a	4x35mm	17pcs
	b	4x18mm	8pcs
	c	6x30mm	14pcs
	d		15pcs
	e	4x12mm	2pcs
	f	4x35mm	2pcs
	g		2pcs
	h	4x12mm	4pcs

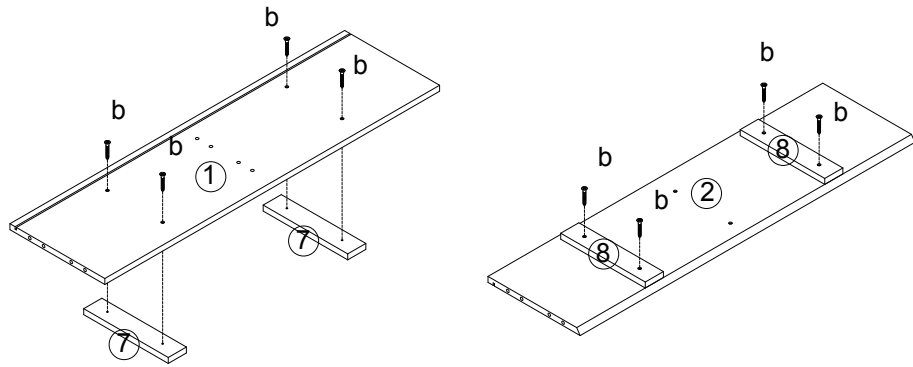
3



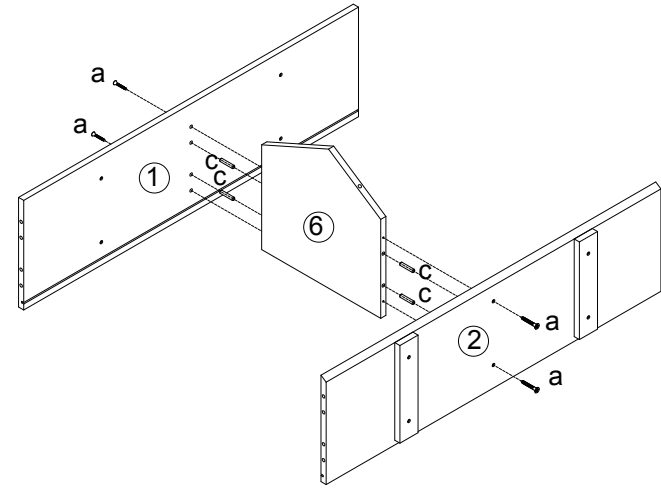
2

	①	1PC		②	1PC		③	1PC
	④	1PC		⑤	1PC		⑥	1PC
	⑦	2PCS		⑧	2PCS		⑨	1PC

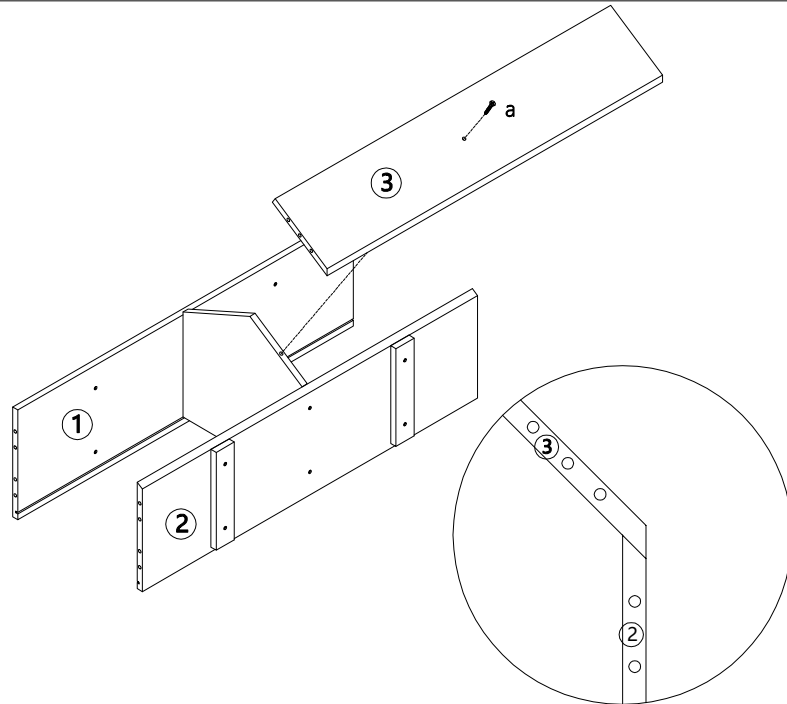
### Step 1:



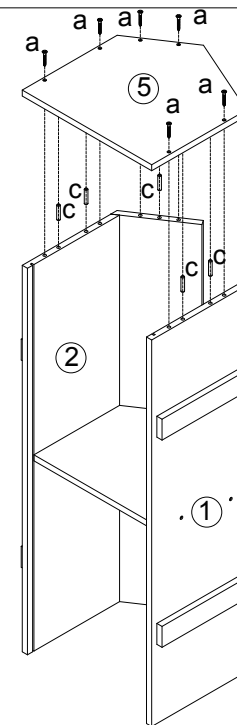
### Step 2:



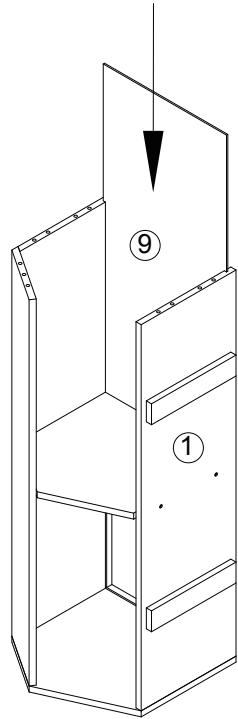
### Step 3:



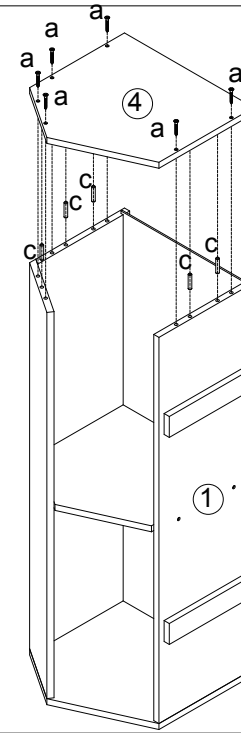
### Step 4:



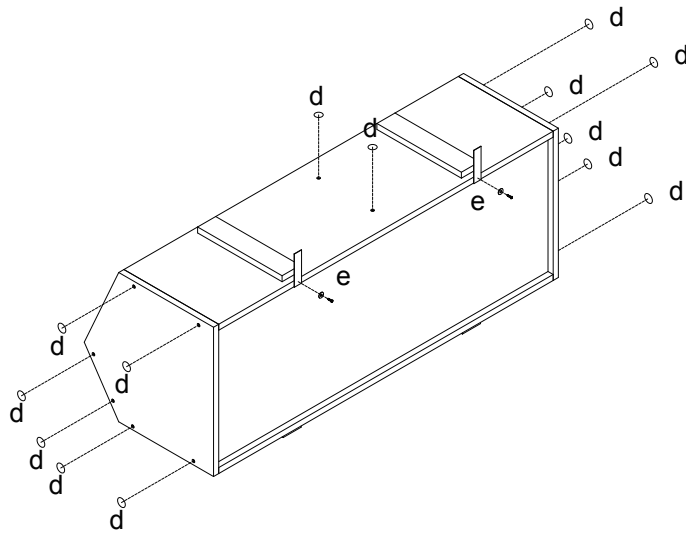
Step 5:



Step 6:



Step 7:



Step 8 **USER INSTRUCTION FOR WALL FIXINGS:**

It is strongly recommended that this product is permanently fixed to the wall. Please seek professional advice if you are in doubt of what fixing device to use. Regularly check that wall fixings are securely maintained. For your safety when attaching the following: check any electrical wires or plumbing inside the wall before drilling any holes (if you are unsure please seek professional advice).

