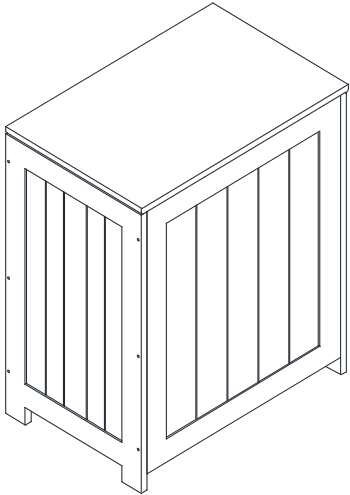
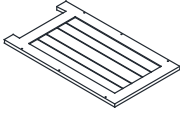
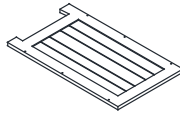
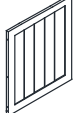

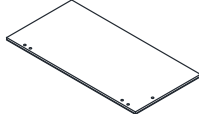
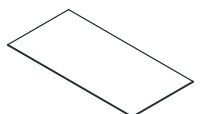


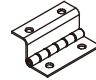



Assembly Instructions

CARE INSTRUCTION: A MILD ODOUR MAY BE PRESENT WHEN FIRST OPENING THIS CARTON. SIMPLY ALLOW TO AIR OUTSIDE AND THIS WILL FADE.
WARNING: THIS PACKAGE CONTAINS SMALL PARTS AND SHARP POINTS, KEEP UNASSEMBLED PARTS AWAY FROM CHILDREN AND BABIES.
MAXIMUM SAFE LOAD: MAXIMUM LOADING 10KGS.

	Ax 1		Bx 1		Cx 1			
								
	Dx 1		Ex 1		Fx 1			
								
	ax 12		bx 12		cx 2		dx 10	
								
	ex 2		fx 1		gx 1			
