

# Assembly Instructions

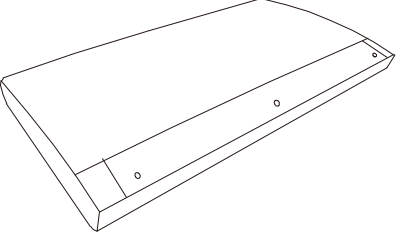
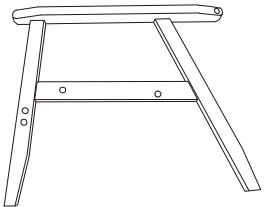

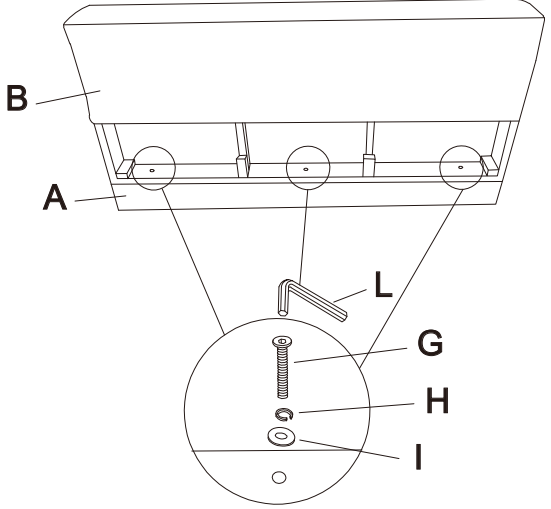
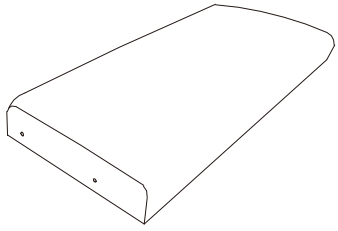
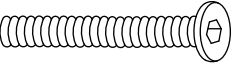
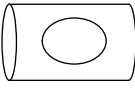
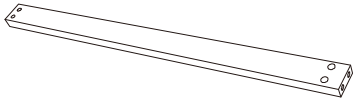
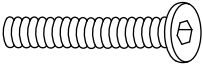
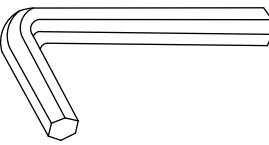
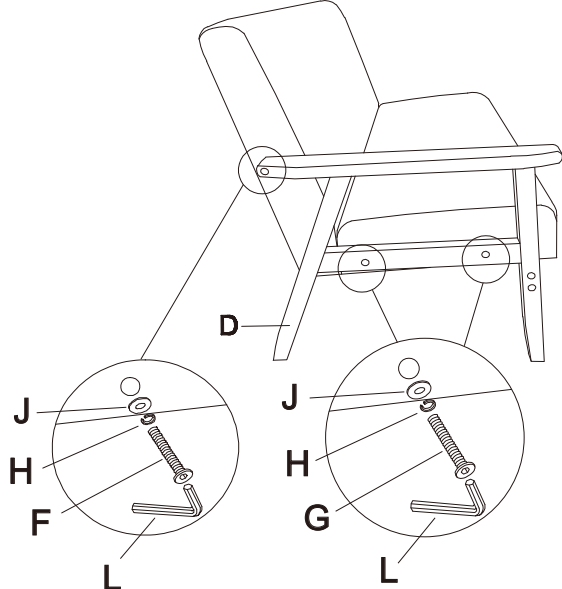
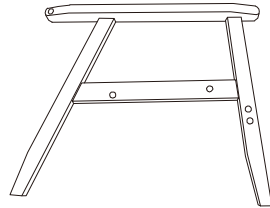


42878797 TIMBER 2 SEAT SOFA

## CARE INSTRUCTIONS:

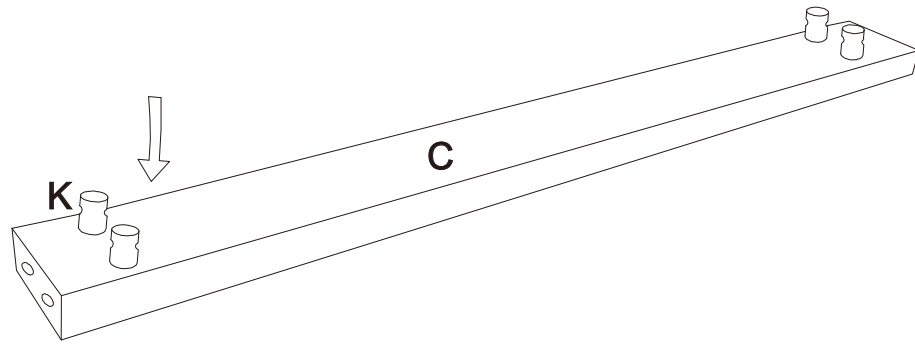
WIPE CLEAN WITH A SOFT DAMP CLOTH. DO NOT USE SCOURERS, ABRASIVES OR CHEMICAL SOLVENTS. CHECK AND TIGHTEN ALL PARTS REGULARLY. KEEP AWAY FROM WATER AND DIRECT SUNLIGHT. STORE IN A DRY PLACE. FOR INDOOR AND DOMESTIC USE ONLY.

## WARNING:

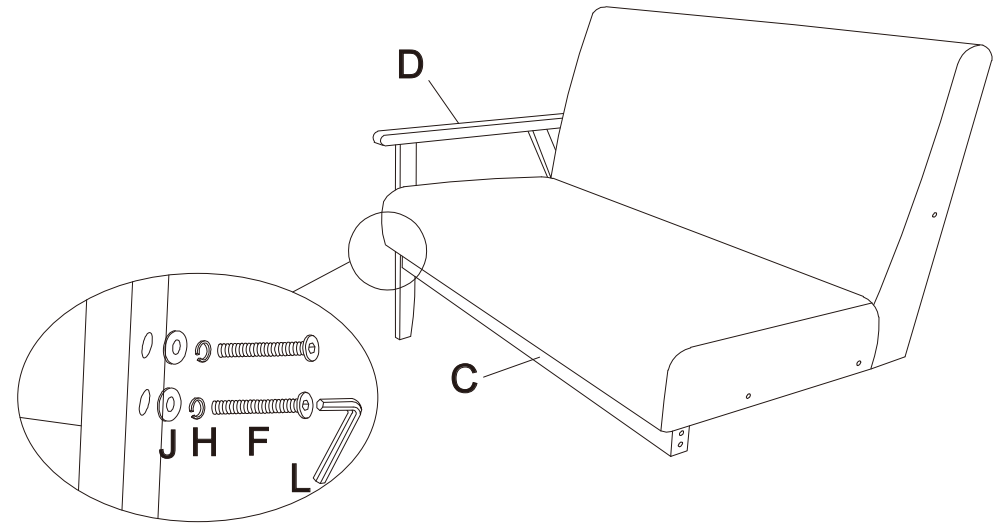
DO NOT STAND OR SIT ON THIS CHAIR. DO NOT USE THIS CHAIR AS A STEP LADDER. SUITABLE FOR ONE PERSON USE ONLY. DO NOT USE UNTIL ALL SCREWS ARE FIRMLY SECURED. USE ONLY ON A FLAT SURFACE. FAILURE TO FOLLOW THESE WARNINGS COULD RESULT IN SERIOUS INJURY. MAXIMUM SAFE LOAD WEIGHT: 100KG.

<p>A×1</p> 	<p>E×1</p> 	<p>J×10 M8*Φ14</p> 	<p><b>Step 1: Affix Part A &amp; B with G, H &amp; I.</b></p> 
<p>B×1</p> 	<p>F×6 M8 x 60</p> 	<p>K×4</p> 	
<p>C×1</p> 	<p>G×7 M8 x 50</p> 	<p>L×1</p> 	<p><b>Step 2: Affix Part D as per diagram with G,F,H &amp; J.</b></p> 
<p>D×1</p> 	<p>H×13</p> 	<p><b>ATTENTION: DO NOT TIGHTEN THE SCREWS FULLY DURING ASSEMBLY. FULLY TIGHTEN SCREWS AFTER THE FINAL ASSEMBLY STEP.</b></p>	
<p>I×3 M8*Φ22</p> 			

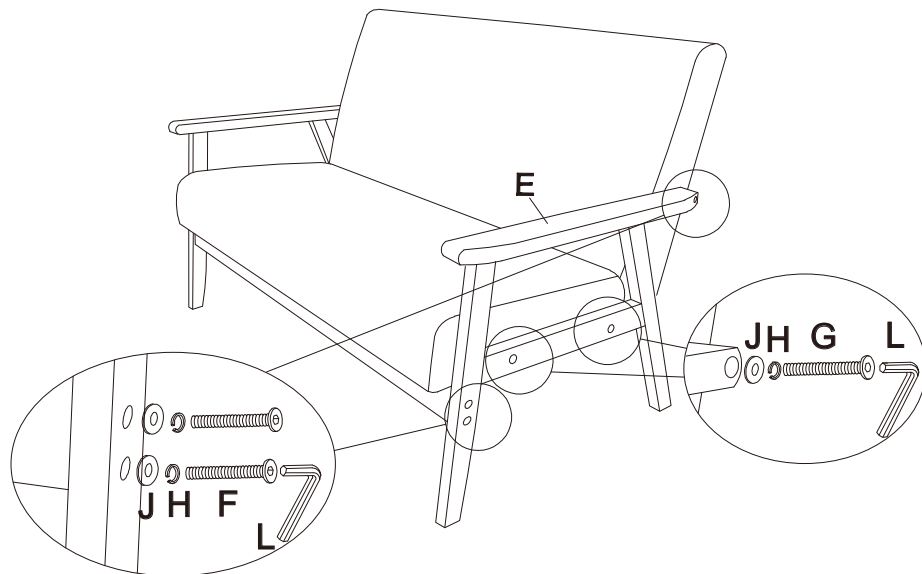
**Step 3: Put Part K into part C (as per below diagram).**



**Step 4: Affix Part C into Part D as per diagram.**



**Step 5: Affix Part E as per diagram with G,F,H,&J.**



**Step 6: Tighten all screws then assembly is complete.**

