

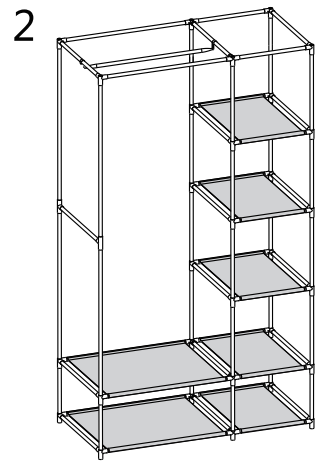
Assembly Instructions

42879466 WARDROBE WITH COVER

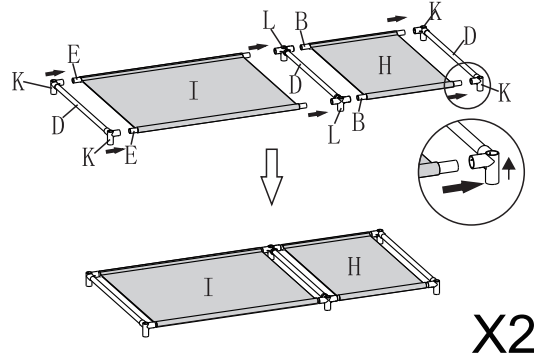
ATTENTION:
 •ENSURE PARTS ARE PUSHED TOGETHER SECURELY.
 •FOR INDOOR USE ONLY.
 •MAXIMUM LOADING WEIGHT: 6KG FOR CLOTHES RAIL, 3KG FOR EACH SHELF.

1 Hardware List

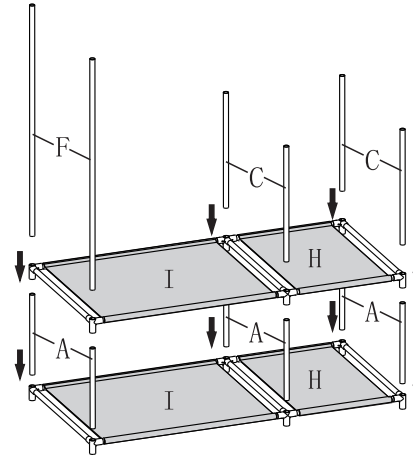
	Qty	Part
A	6	250mm
B	12	345mm
C	16	359mm
D	16	410mm
E	6	590mm
F	4	720mm
G	1	
H	5	
I	2	
J	1	
K	24	
L	6	
M	2	



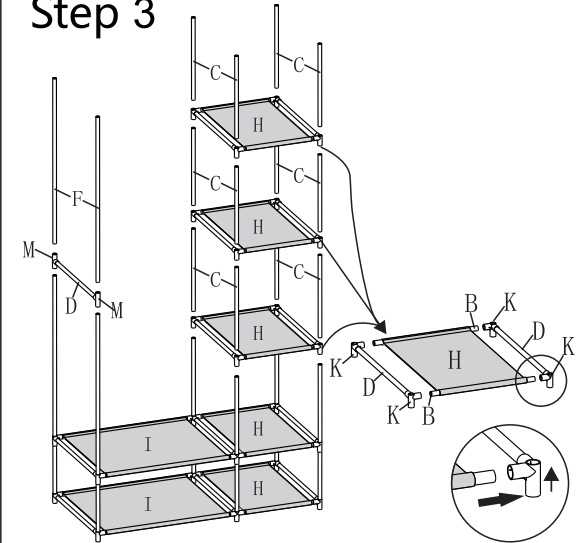
Step 1



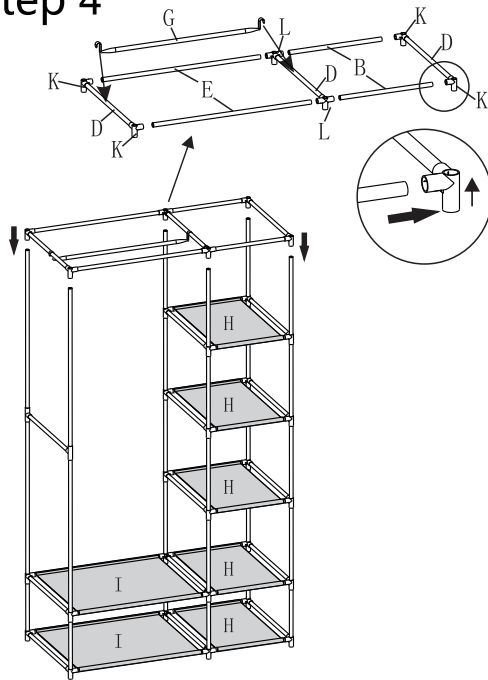
Step 2



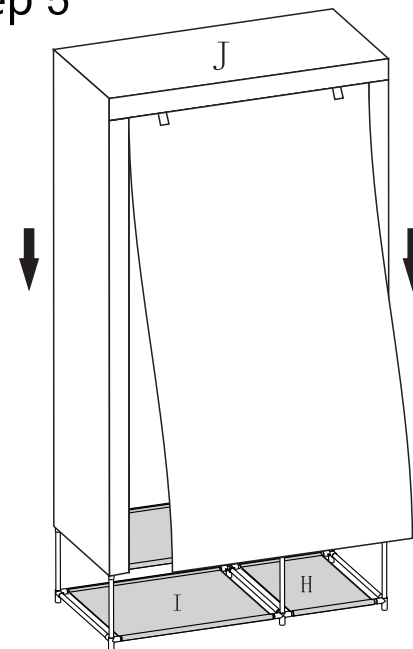
Step 3



Step 4



Step 5



Step 6

