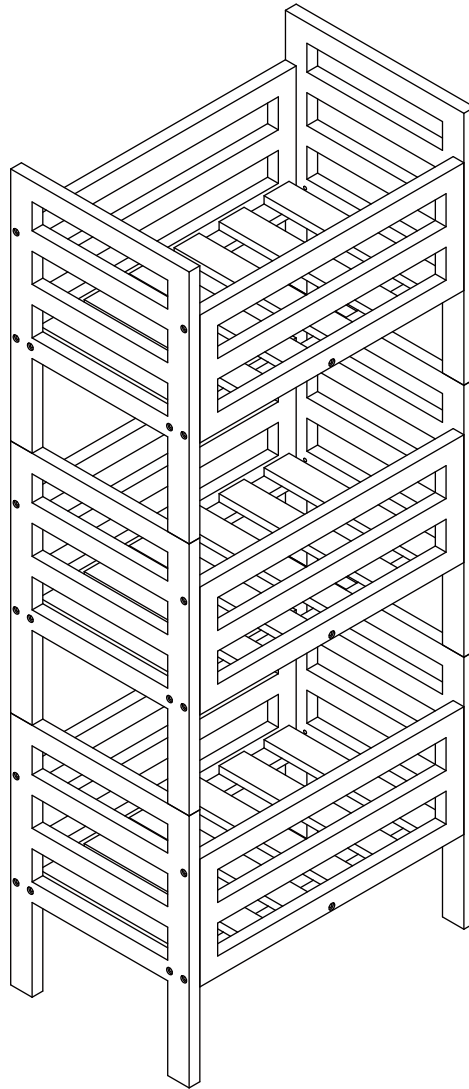
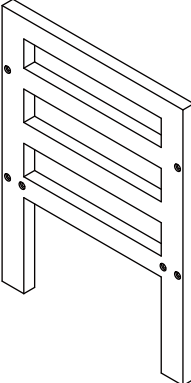
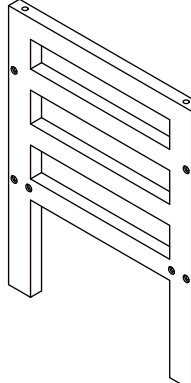
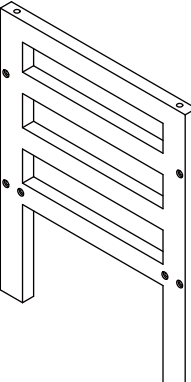
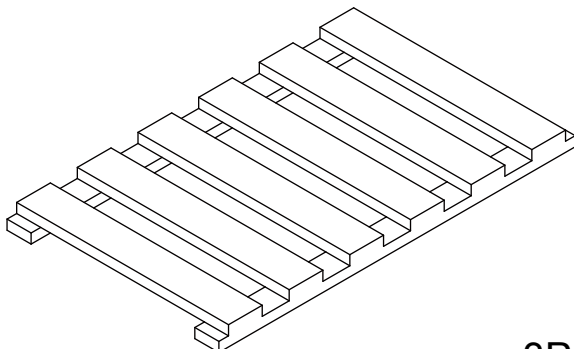
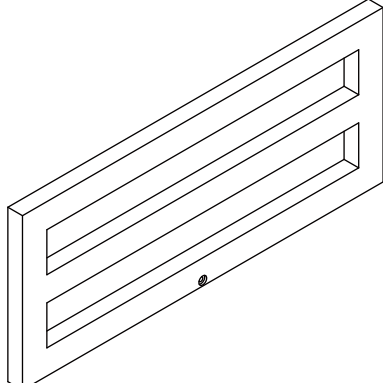
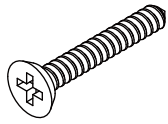
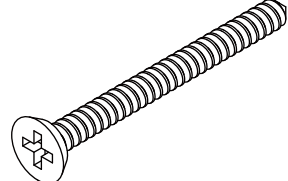
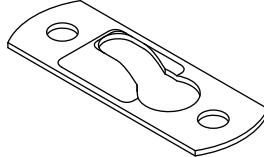
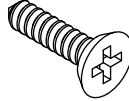
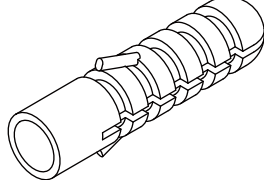
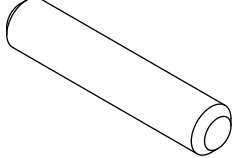
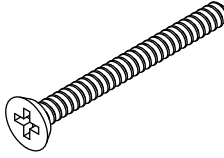


MODULAR PLANT STAND ASSEMBLY INSTRUCTION

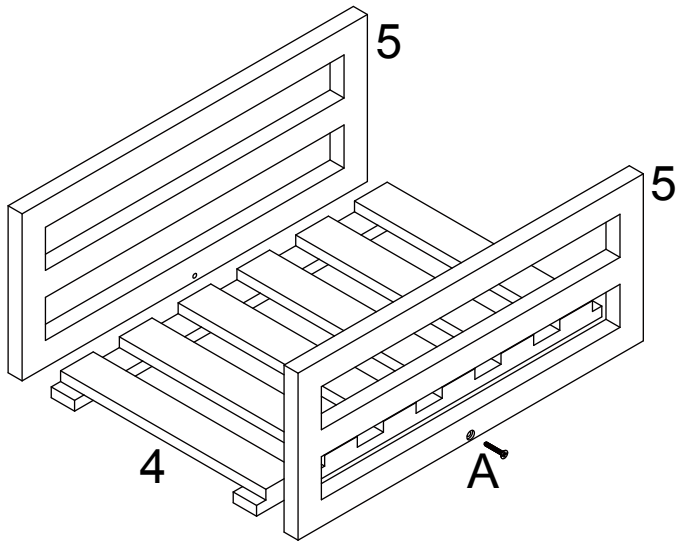


CAUTION:

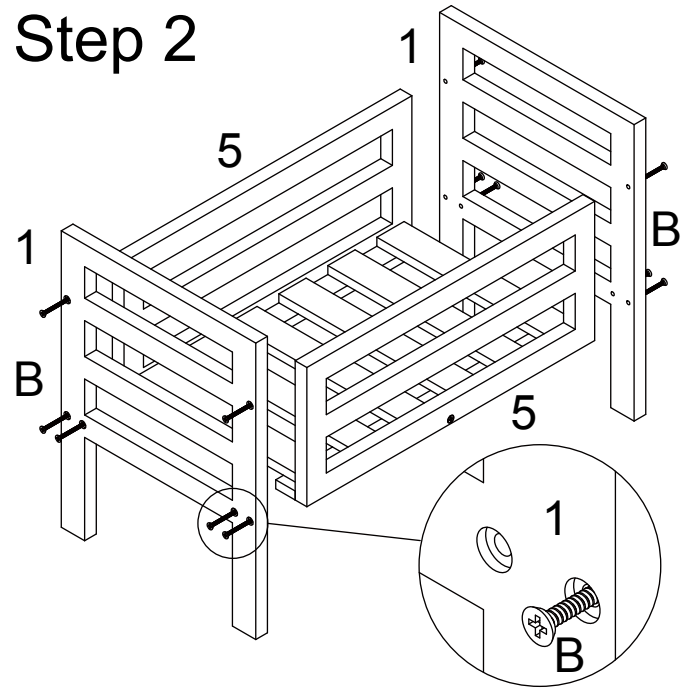
Please read instructions carefully. Remove all parts from the carton. Ensure you have all parts before you start assembling. Place all parts on a clean and flat soft surface such as carpet or a rug to prevent them from being scratched. Adult assembly required.

<p>1</p>  <p>2PCS</p>	<p>2</p>  <p>2PCS</p>		
<p>3</p>  <p>2PCS</p>	<p>4</p>  <p>3PCS</p>		
<p>5</p>  <p>6PCS</p>			
<p>A</p>  <p>6PCS</p>	<p>B</p>  <p>3X50mm 36PCS</p>	<p>C</p>  <p>2PCS</p>	<p>D</p>  <p>4PCS</p>
<p>E</p>  <p>2PCS</p>	<p>F</p>  <p>8PCS</p>	<p>G</p>  <p>3X40mm 2PCS</p>	

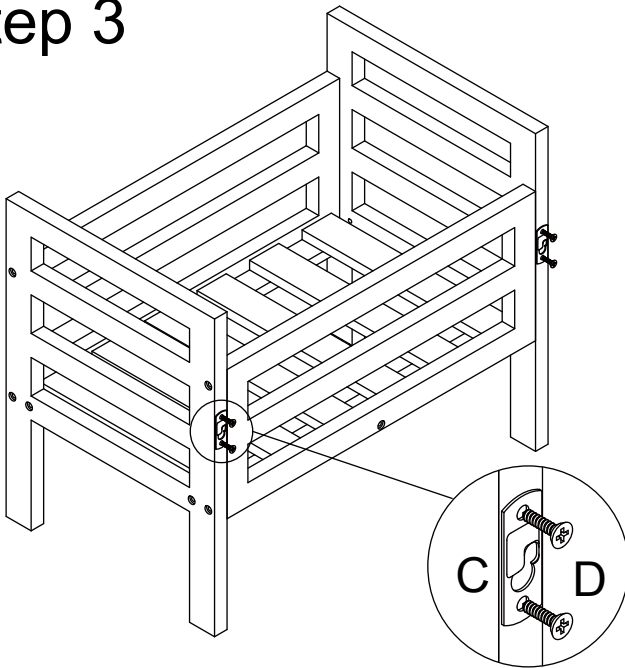
Step 1



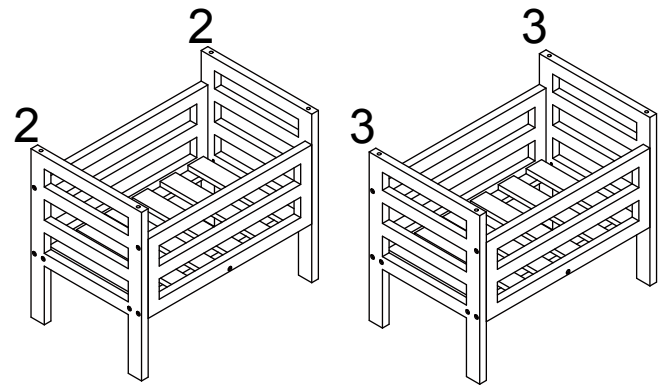
Step 2



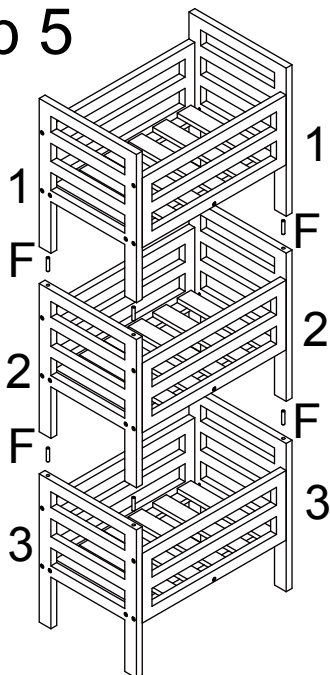
Step 3



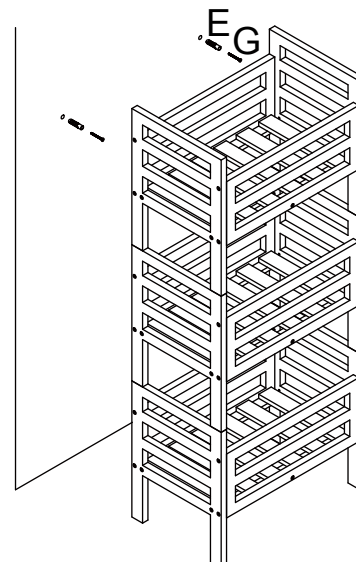
Step 4



Step 5



Step 6



Warning:
Recommended that plant stand is affixed to a wall/fence for added stability.

WARNING!

- 1) Do not sit or stand on this plant stand.
- 2) Do not climb on plant stand.
- 3) Ensure all bolts and screws are firmly secured before use.
- 4) Use only on an even surface.
- 5) Maximum safe loading weight: 3KGS/shelf.

Recommended that this plant stand is affixed to a wall/fence for added stability.

Failure to follow these warnings could result in serious injury.

Made in China.

- 6) This package contains small parts and sharp points, keep unassembled parts away from children and babies.