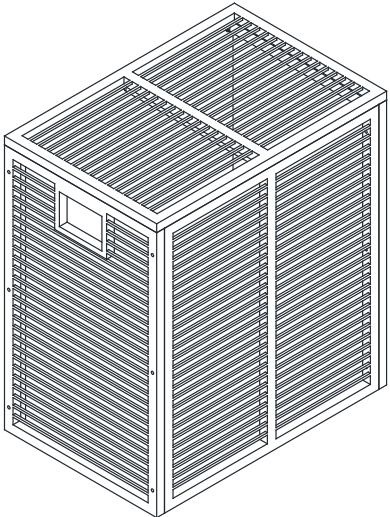
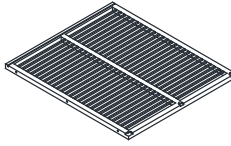
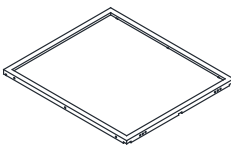
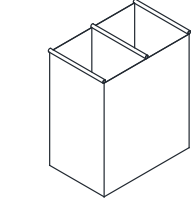
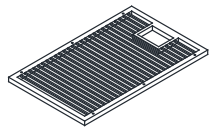
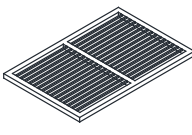
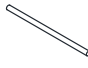
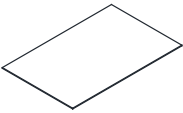
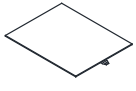


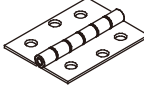
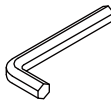
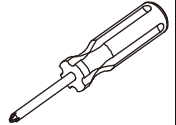
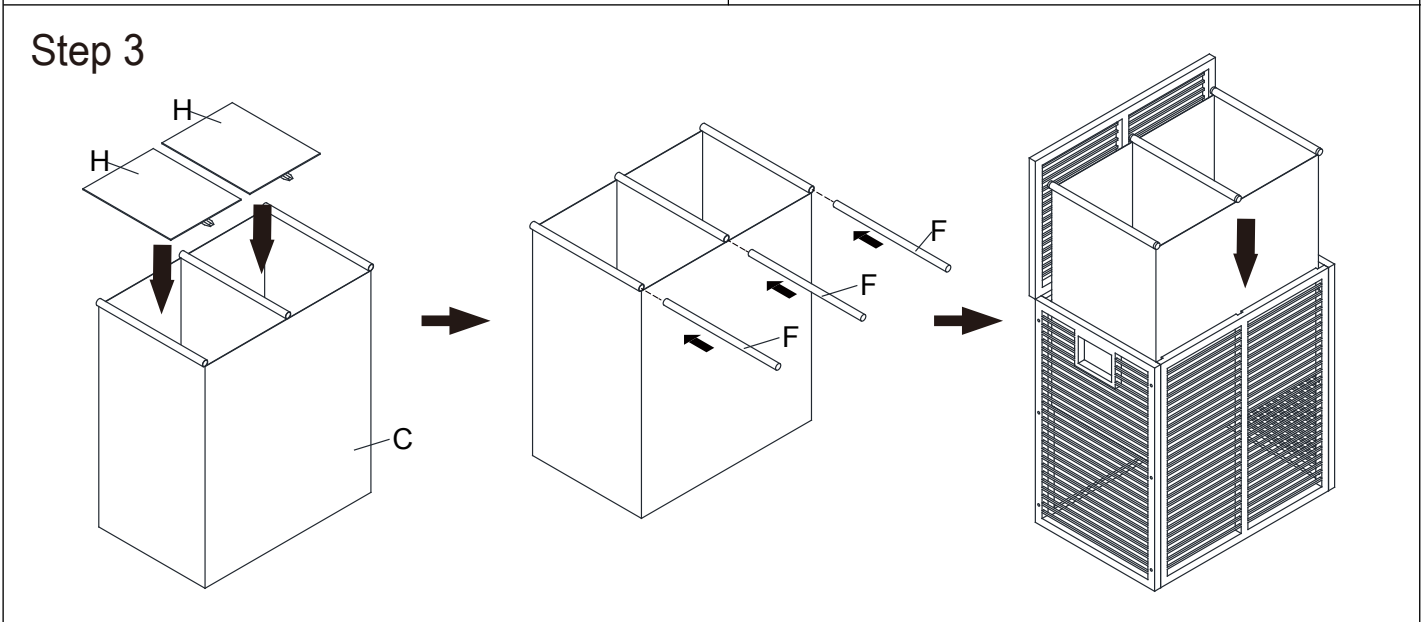
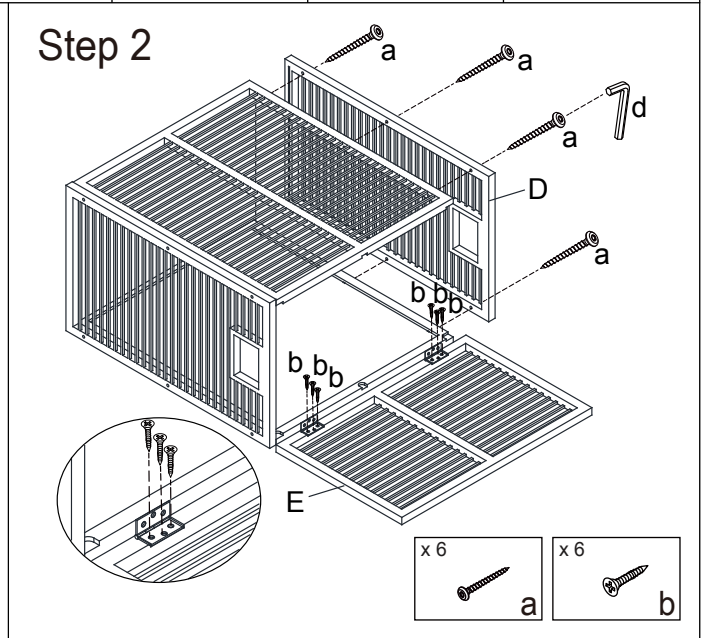
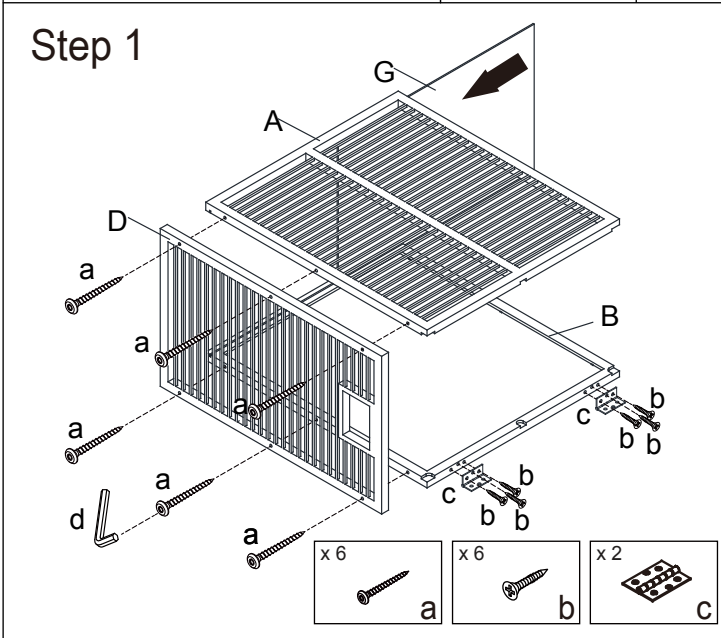


# 42880516 2 section Bamboo Hamper with Liner Assembly Instructions

|   |   |  |   |   |
|---|---|--|---|---|
|  | A x 1   | B x 1  | C x 1   | D x 2   |
|   |  |  |  |  |
|   | E x 1   | F x 3  | G x 1   | H x 2   |
|   |  |   |  |  |
| a x 12  | b x 12  | c x 2  | d x 1   | Not included  |
|  |  |  |  |  |



#### ATTENTION:

- DO NOT TIGHTEN THE SCREWS UNTIL IT HAS BEEN FULLY ASSEMBLED.
- FOR INDOOR USE ONLY.
- HARDWARE CONTAINS SMALL SCREWS WITH SHARP POINTS, KEEP UNASSEMBLED PARTS OUT OF REACH OF SMALL CHILDREN.
- MAXIMUM LOADING WEIGHT: 5KGS PER SECTION, TOTAL MAXIMUM LOADING 10KGS.