






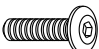



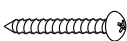


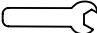
Assembly Instructions

42884910 GARMENT RACK WITH 2 RAILS

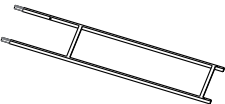
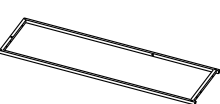





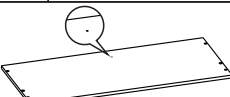
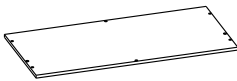
ATTENTION:

- DO NOT TIGHTEN THE SCREWS UNTIL IT HAS BEEN FULLY ASSEMBLED.
- FOR INDOOR USE ONLY.
- MAXIMUM LOADING WEIGHT: 10KG FOR EACH CLOTHES RAIL, 5KG FOR EACH SHELF.

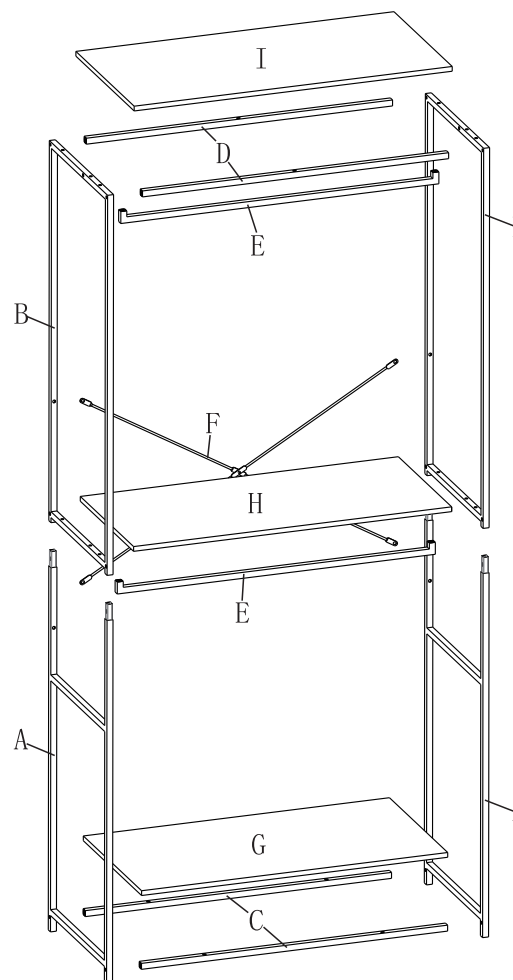
Hardware List

	a	M6	4pcs		b	M6	4pcs
	c	M6x22	4pcs		d	M6x13	4pcs
	e	M6x9	4pcs		f	M6x22	26pcs
	g	M6	4pcs		h	6x25	1pc
	i	st4, 2x10	1pc		j	st4x40	1pc
	k	76x32	1pc		l		2pcs
	m		1pc				

2

			
A	B	C	D
2pcs	2pcs	2pcs	2pcs
			
E	F	G	H
2pcs	1pc	1pc	1pc
			
I			
1pc			

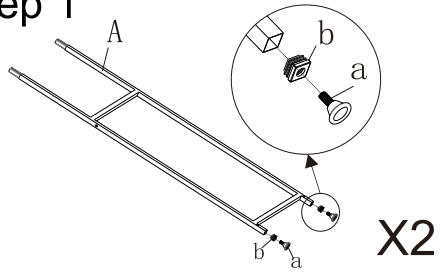
3






TOPPLING FURNITURE WARNING:

- >IT IS STRONGLY RECOMMENDED THAT THIS PRODUCT IS PERMANENTLY FIXED TO THE WALL.
 - >PLEASE SEEK PROFESSIONAL ADVICE IF YOU ARE IN DOUBT OF WHAT FIXING DEVICE TO USE.
 - >REGULARLY CHECK THAT ANCHORS ARE SECURELY MAINTAINED.
 - >STABILITY OF TALL ITEMS MAY BE AFFECTED BY THICK PILE CARPET OR UNEVEN FLOORS.
 - >DO NOT PLACE UNANCHORED TELEVISIONS ON FURNITURE.
- CAUTION:** FOR YOUR SAFETY WHEN ATTACHING THE ANCHOR FIXINGS, PLEASE NOTE THE FOLLOWING:
- >CHECK ANY ELECTRICAL WIRES OR PLUMBING INSIDE THE WALL BEFORE DRILLING ANY HOLES (IF YOU ARE UNSURE PLEASE SEEK PROFESSIONAL ADVICE FROM A QUALIFIED TRADESPERSON).

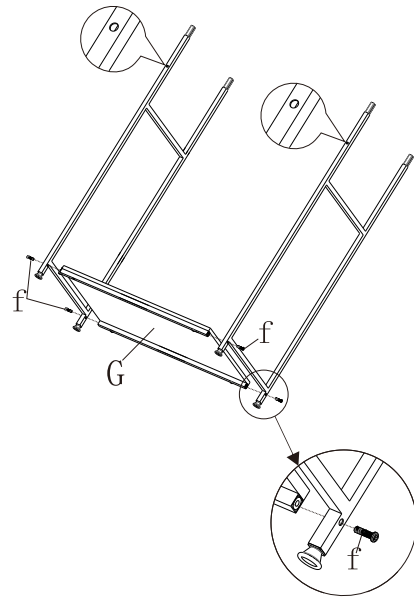
Step 1



X2

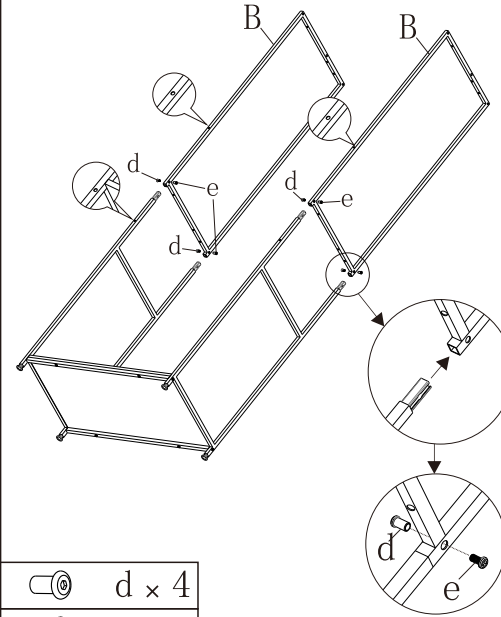
-  a x 4
-  b x 4
-  f x 4



Step 2



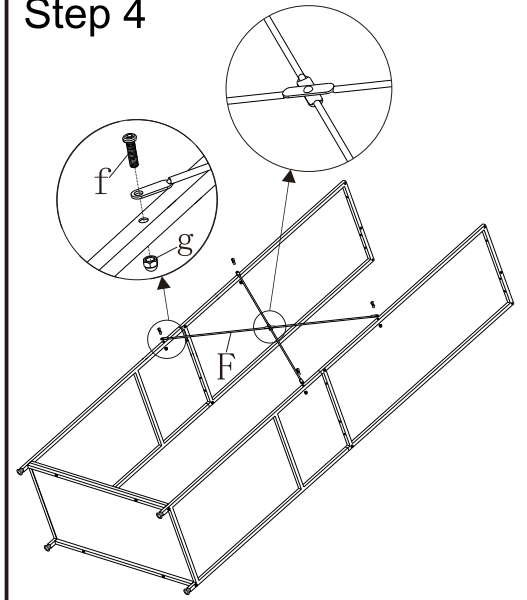
-  f x 4



Step 3



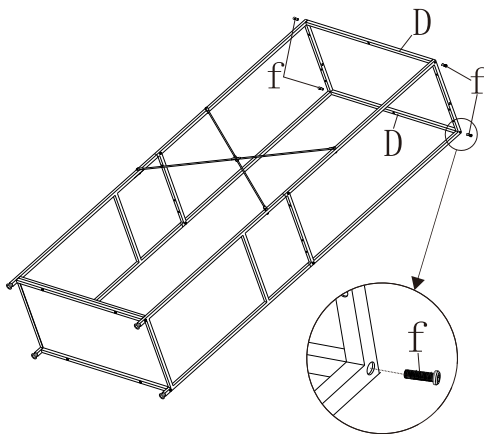
-  d x 4
-  e x 4

Step 4



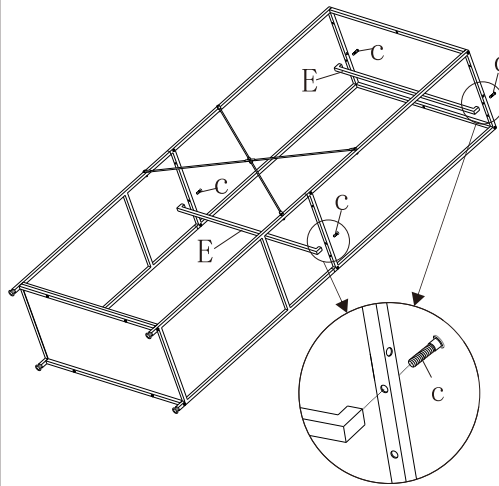
-  f x 4
-  g x 4

Step 5



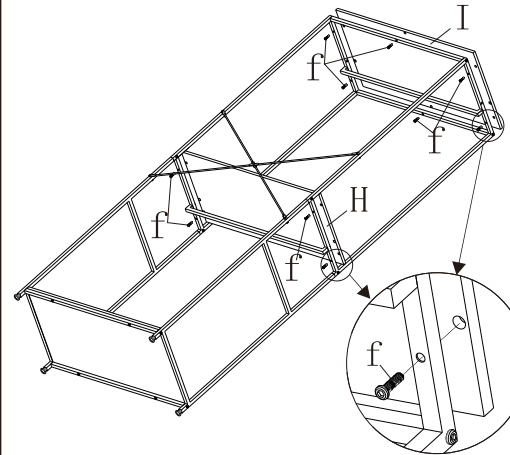
-  f x 4

Step 6



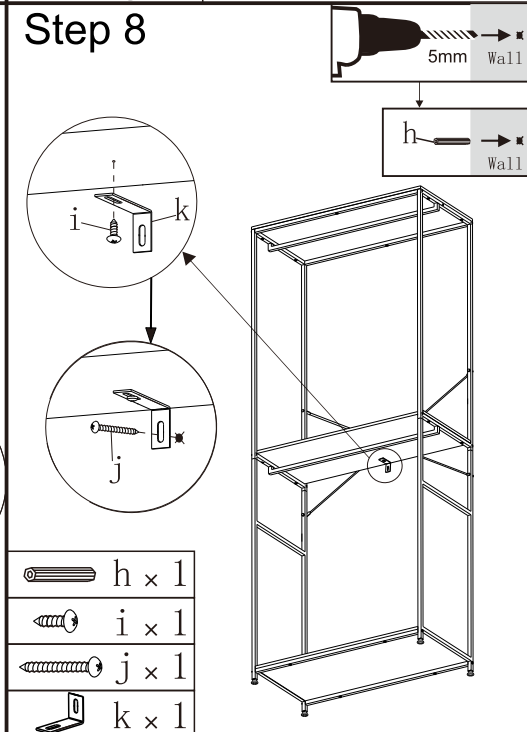
-  c x 4





Step 7



-  f x 10

Step 8



-  h x 1
-  i x 1
-  j x 1
-  k x 1