

⚠ WARNING: CHOKING HAZARD
SMALL PARTS. NOT SUITABLE FOR CHILDREN UNDER 3 YEARS.

WARNING: HAIR ENTANGLEMENT MAY OCCUR
IF THE CHILD'S HEAD IS TOO CLOSE TO THE
MOTORISED UNIT OF THIS TOY. ADULT
SUPERVISION AND ASSISTANCE REQUIRED.

WARNING: CONTAINS LEADS WITH FUNCTIONAL SHARP POINT.

**WARNING: FOR SAFETY REASONS, REMOVE ALL TAGS, LABELS AND PLASTIC
FASTENERS BEFORE GIVING THIS TOY TO YOUR CHILD.**

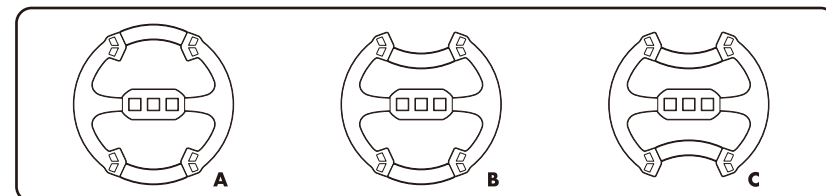
**WARNING: BATTERIES ARE TO BE INSERTED WITH THE CORRECT POLARITY. DO
NOT MIX DIFFERENT TYPES OF BATTERIES OR NEW AND USED BATTERIES.
NON-RECHARGEABLE BATTERIES ARE NOT TO BE RECHARGED. RECHARGEABLE
BATTERIES ARE ONLY TO BE CHARGED UNDER ADULT SUPERVISION.
RECHARGEABLE BATTERIES ARE TO BE REMOVED FROM THE TOY BEFORE BEING
CHARGED. THE SUPPLY TERMINALS ARE NOT TO BE SHORT-CIRCUITED. REMOVE
BATTERIES FROM THE TOY WHEN NOT IN USE FOR EXTENDED TIME OR WHEN
BATTERIES BECOME EXHAUSTED. BATTERY INSTALLATION BY AN ADULT IS
REQUIRED. DISPOSE OF BATTERIES RESPONSIBLY. DO NOT DISPOSE OF IN FIRE.**

PRODUCT MAY VARY SLIGHTLY FROM IMAGE SHOWN.
PLEASE KEEP THE INSTRUCTION MANUAL FOR FUTURE REFERENCE.

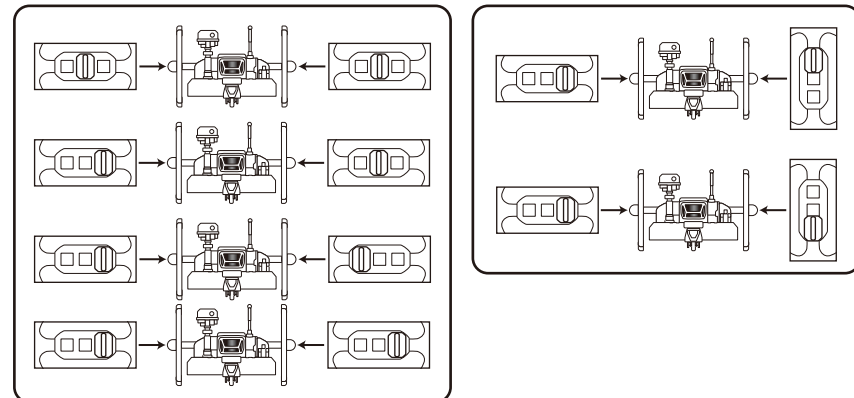
1X AA REQUIRES 1 X 1.5V AA BATTERY
(NOT INCLUDED).

Educational Hints:

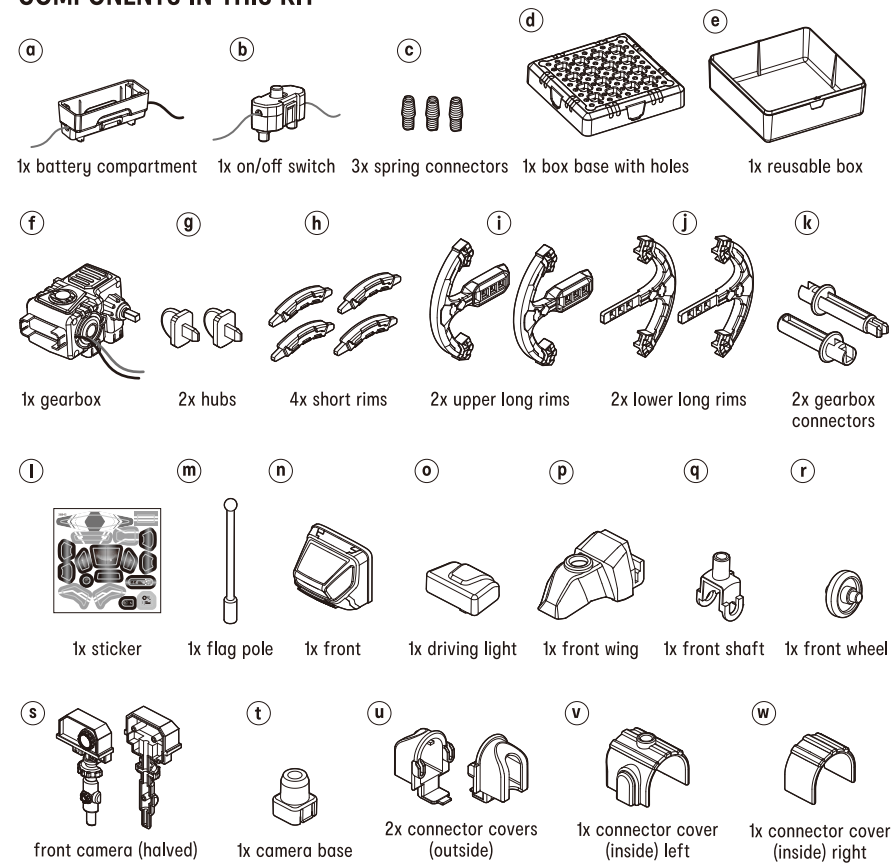
The WHEEL is the most special feature of this rover. Player/s can easily design different patterns to make different motion experiments and at any level of interchange the rover you will be amazed the rover will still have the stability to move. Below options are provided for changing and combining them together. There is no doubt that typical circular wheels are designed to reduce the friction and makes it easier to move forward. However, sometimes friction is necessary for a rover to move, for example an off-road tire with deeper and wider gap to create friction. With the flexible designated tire, the rover can run on different ground during its mission. For single wheel experiment, below patterns are a suggested combination:



When you attach the wheel to the main body, you can also choose different connecting holes. What's more, you can also have below combination:

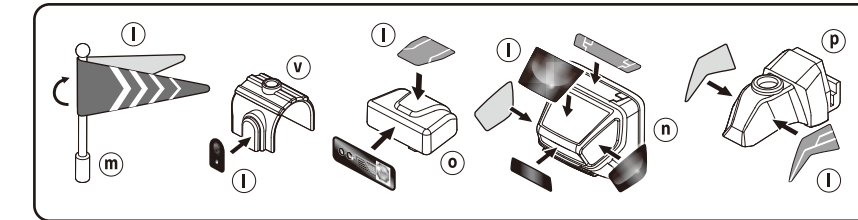


COMPONENTS IN THIS KIT

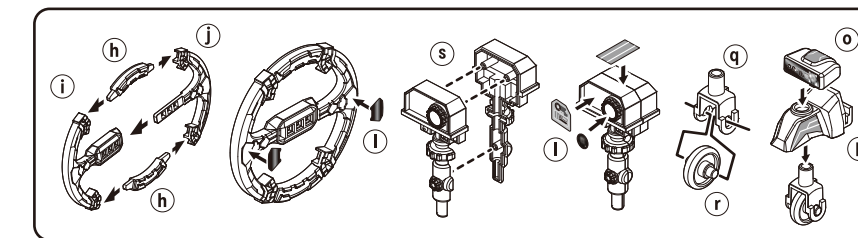


Assembling Science X-plorer Follow the below steps as figures shown.

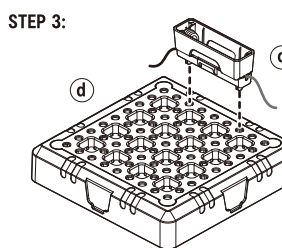
STEP 1:



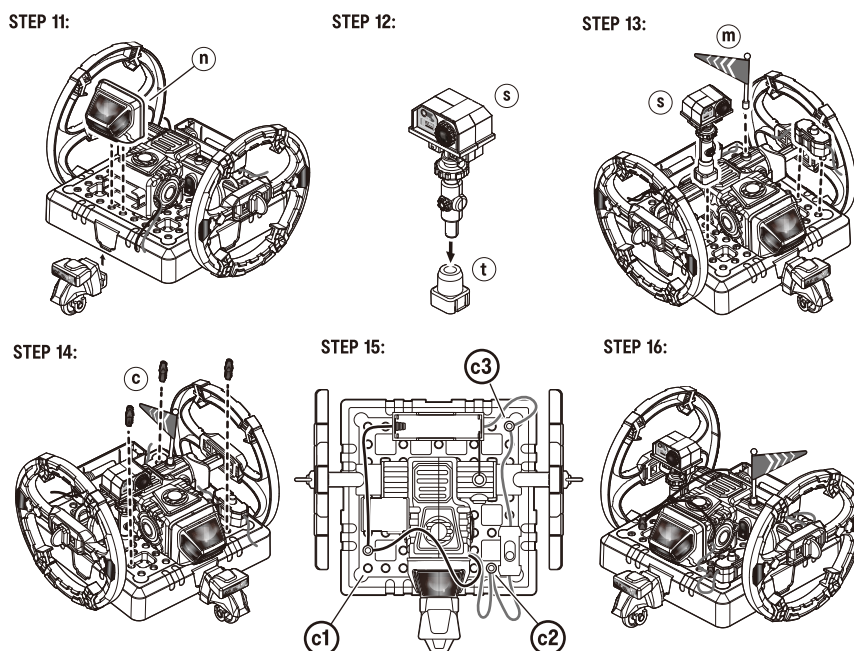
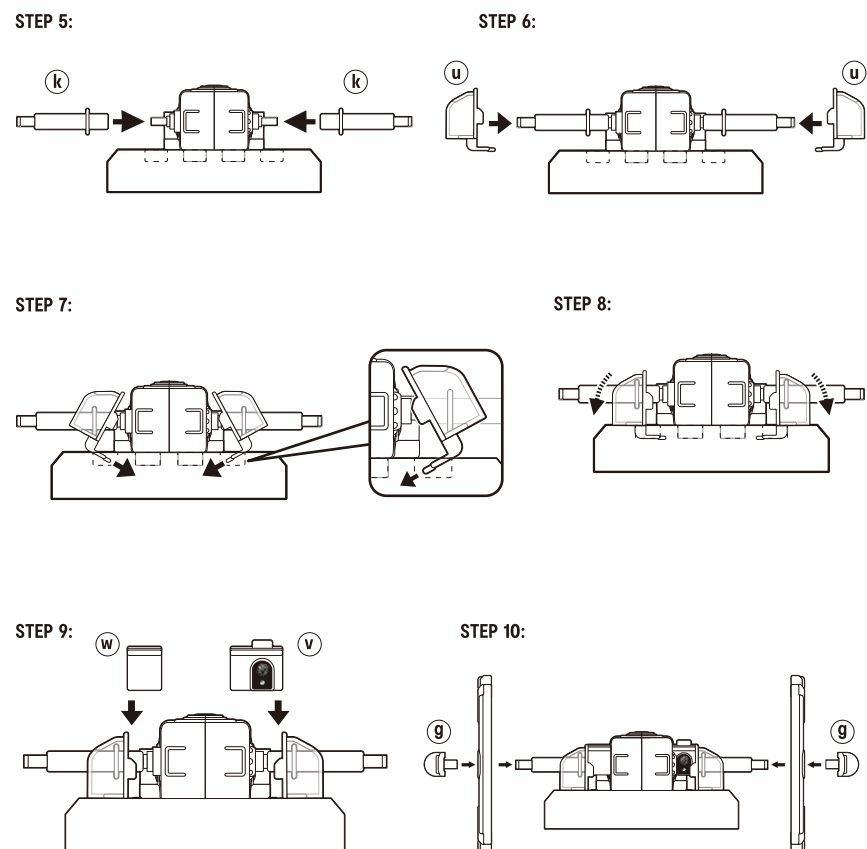
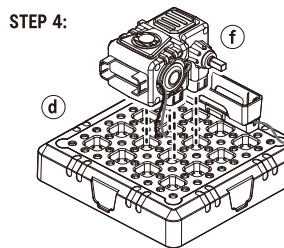
STEP 2:



STEP 3:

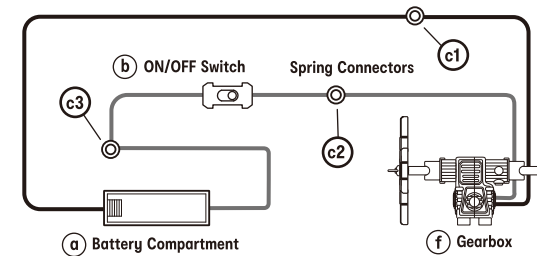


STEP 4:



BASIC CONNECTION PRINCIPLE

| Wiring connections | Spring (c1) | Spring (c2) | Spring (c3) |
|-------------------------|-------------|-------------|-------------|
| Battery Compartment (a) | black | | red |
| ON/OFF Switch (b) | | red | red |
| Gearbox (f) | black | red | |



How to play

1. Assemble the Science X-plorer according to the steps demonstrated. Insert 1 x AA battery into battery case. 2. Design your own wheel style and fix the wheel on each side. 3. Place the rover on ground level and push the ON/OFF switch to ON to see the rover move. 4. To change the wheel pattern, switch OFF the rover, unlock the wheels, change pattern, lock the wheel on each side and repeat step 3. 5. When finished playing, turn OFF the set and remove the battery from the battery case before storing in a safe place for play next time.

Ensure all wires are correctly connected to the battery terminals and spring connectors as stated in the wiring sequence and connection. Bend the spring terminal over and insert the exposed shiny conductor part of the wire into the spring terminal. Make sure the wire is securely connected to the spring terminal. If the circuit does not work, you can check the wire and spring terminal connection whether they are not well connected or the insulated plastic part of the wire has been wrongly inserted into spring terminal.

Warning! Do not short-circuit the battery terminals and spring connectors. Otherwise it may cause overheating. Do not lock the motor or other moving parts. Otherwise it may cause overheating.

If at any time in the future you should need to dispose of this product please note that waste electrical products should not be disposed of with household waste. Please recycle where facilities exist. Check with your local authority or retailer for recycling advice. (Waste Electrical and Electronic Equipment Directive)

42-887-942

MADE IN CHINA

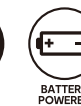
FOR AU/ NZ: IMPORTED FOR KMART
STORES IN AUSTRALIA AND NEW ZEALAND.
FOR USA: IMPORTED BY ANKO RETAIL INC.
19500 ALDERWOOD MALL PARKWAY
LYNNWOOD WA 98036 USA.

anko

**Build Your Own
Science X-plorer**

> discover multiple smart wheel combinations

8+
years



PHYSICS

