

⚠ WARNING: CHOKING HAZARD

SMALL PARTS. NOT SUITABLE FOR CHILDREN UNDER 3 YEARS.

⚠ WARNING: CHOKING HAZARD

TOY CONTAINS MARBLES. NOT SUITABLE FOR CHILDREN UNDER 3 YEARS.

WARNING: CONTAINS LEADS WITH FUNCTIONAL SHARP POINT.

WARNING: FOR SAFETY REASONS, REMOVE ALL TAGS, LABELS AND PLASTIC FASTENERS BEFORE GIVING THIS TOY TO YOUR CHILD.

WARNING: BATTERIES ARE TO BE INSERTED WITH THE CORRECT POLARITY. DO NOT MIX DIFFERENT TYPES OF BATTERIES OR NEW AND USED BATTERIES. NON-RECHARGEABLE BATTERIES ARE NOT TO BE RECHARGED. RECHARGEABLE BATTERIES ARE ONLY TO BE CHARGED UNDER ADULT SUPERVISION. RECHARGEABLE BATTERIES ARE TO BE REMOVED FROM THE TOY BEFORE BEING CHARGED. THE SUPPLY TERMINALS ARE NOT TO BE SHORT-CIRCUITED. REMOVE BATTERIES FROM THE TOY WHEN NOT IN USE FOR EXTENDED TIME OR WHEN BATTERIES BECOME EXHAUSTED. BATTERY INSTALLATION BY AN ADULT IS REQUIRED. DISPOSE OF BATTERIES RESPONSIBLY. DO NOT DISPOSE OF IN FIRE.

PRODUCT MAY VARY SLIGHTLY FROM IMAGE SHOWN. PLEASE KEEP THE INSTRUCTION MANUAL FOR FUTURE REFERENCE.

2X AA REQUIRES 2 X 1.5V AA BATTERIES (NOT INCLUDED).

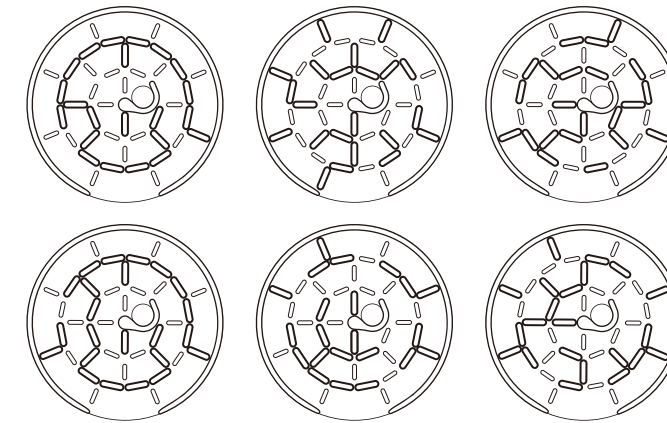
Educational Hints:

The spiral running maze is a traditional game for practicing hand coordination. It's a game for practicing your problem-solving capability and planning skills. Player(s) need to start from the starting point and find a path to the end point. Different from a traditional maze, gravity takes part in this maze set. Player(s) need to control the maze rotation direction to guide the marble to the destination using gravity instead of pointing it to the destination. Hand-eye coordination is essential as they are needed to observe the marble, analyse the path and control the maze running direction at the same time.

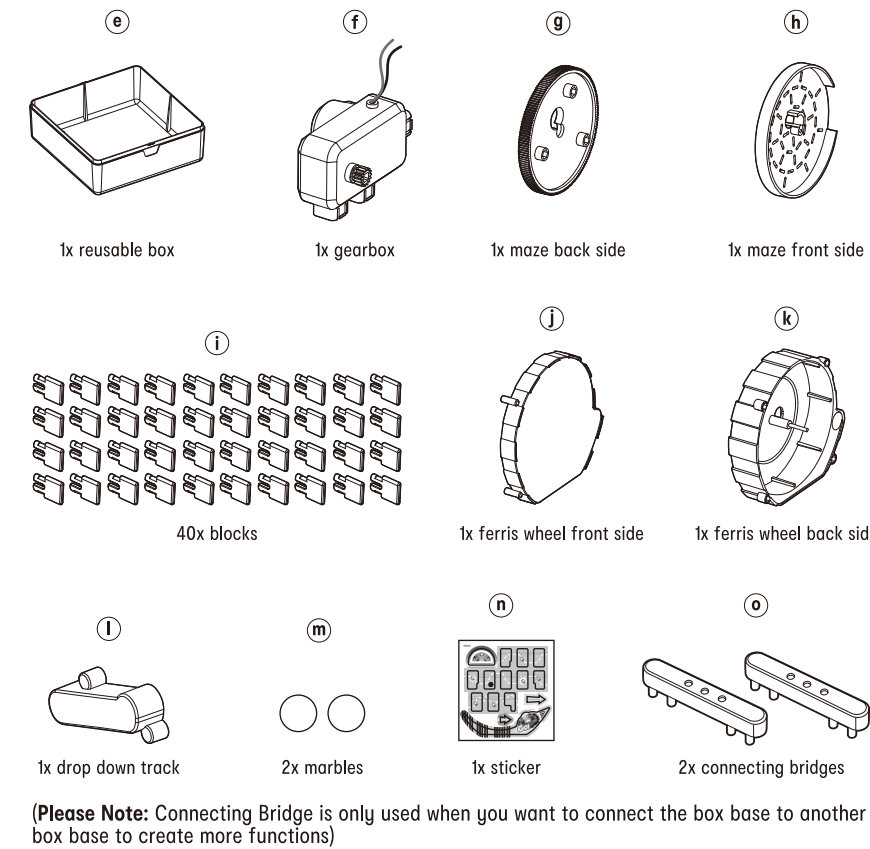
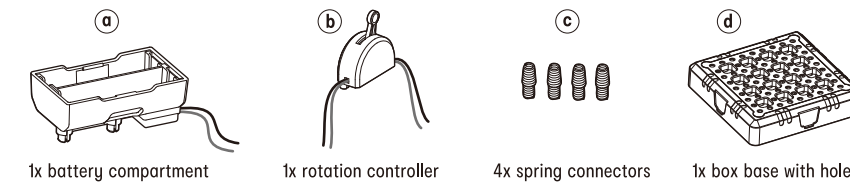
Design Your Own Maze

Designing a maze is sometimes more difficult than cracking a maze. It challenges player's creativity and understanding of this special maze. Open the screen and use the flaps to build your own maze. Challenge & crack the maze with friends.

Some Examples



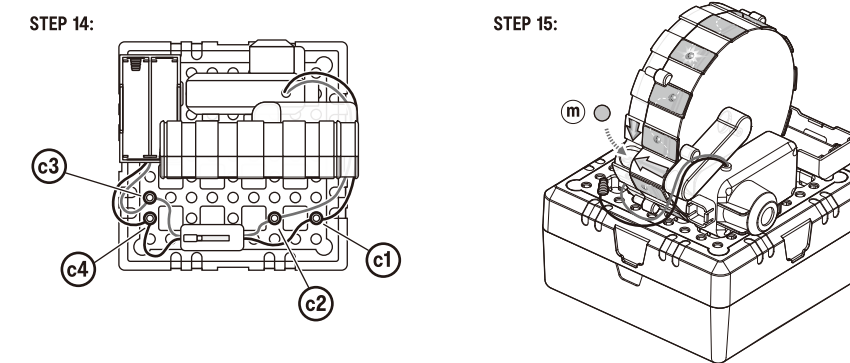
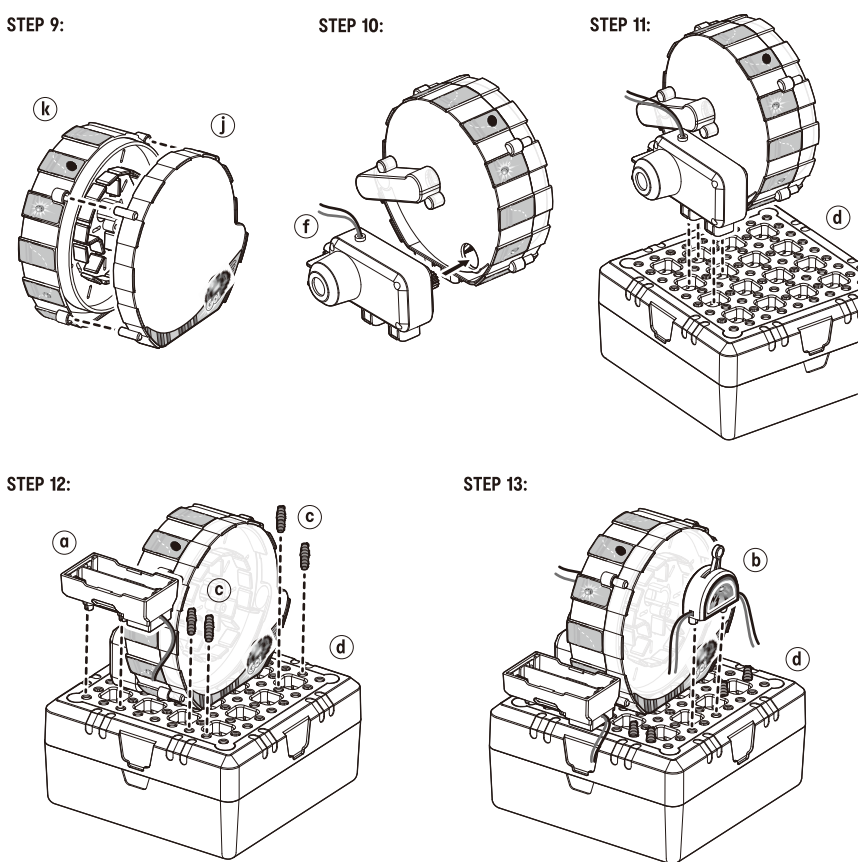
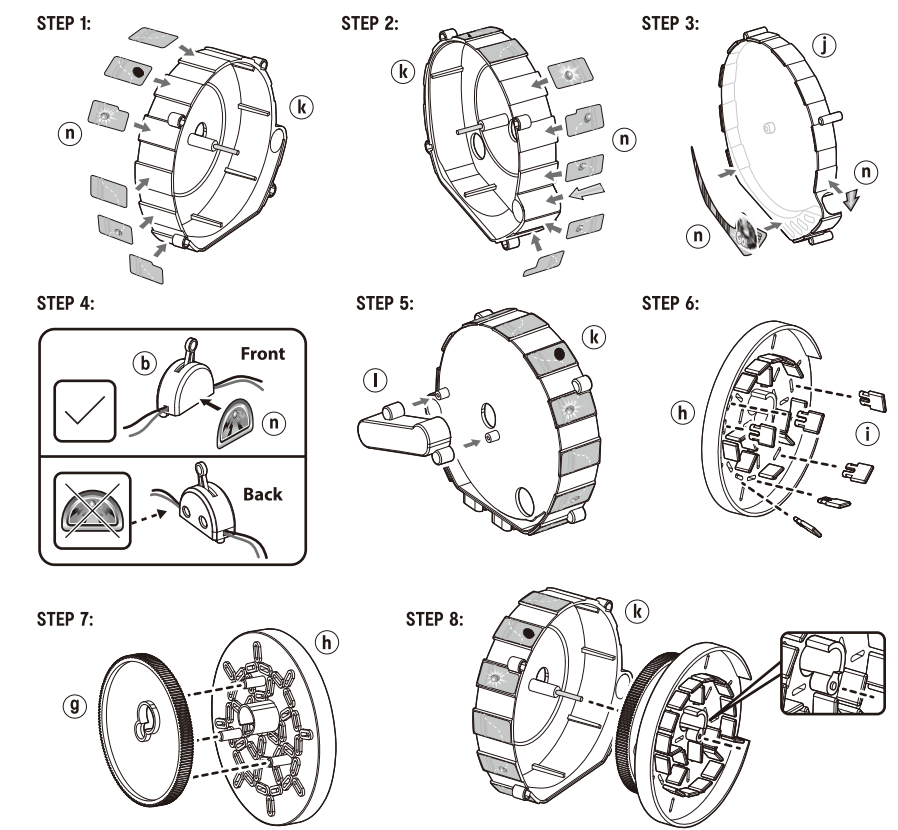
COMPONENTS IN THIS KIT



(Please Note: Connecting Bridge is only used when you want to connect the box base to another box base to create more functions)

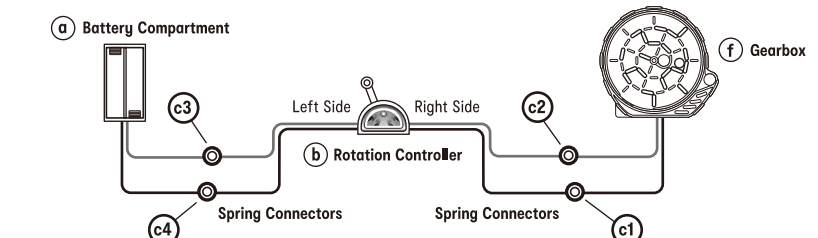
Assembling Spiral Running Maze

Follow the below steps as figures shown.

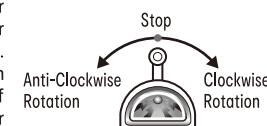


BASIC CONNECTION PRINCIPLE

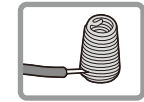
Wiring connections	Spring (c1)	Spring (c2)	Spring (c3)	Spring (c4)
Battery Compartment (a)			red	black
Rotation Controller (b) (In front View)	Left Side		red	black
	Right Side	black	red	
Gearbox (f)	black	red		



How to play 1. Assemble the maze set according to the pictures provided. Insert 2 x AA batteries into the battery case. 2. Insert the flaps following the demonstration or design your own flaps. 3. Put the marble in the maze set. 4. Activate the maze by switching the switch to either side. 5. Use the controller to control the maze rotation. By changing its rotating direction (clockwise or anti-clockwise direction) to lead the marble into its destination: to the center. 6. Wait for the marble to roll into the starting point and play again. 7. You can change the combination of the maze following the guidelines or create yourself a new maze. Show your creativity by building a different maze and ask your friends to try your creative maze. 8. When finished playing, please turn off the set by switching the switch in middle and remove all the batteries from the battery case. Tips: In case the marble cannot exit the maze you create after several attempts, it means that you will need to rebuild the maze again.



Ensure all wires are correctly connected to the battery terminals and spring connectors as stated in the wiring sequence and connection. Bend the spring terminal over and insert the exposed shiny conductor part of the wire into the spring terminal. Make sure the wire is securely connected to the spring terminal. If the circuit does not work, you can check the wire and spring terminal connection whether they are not well connected or the insulated plastic part of the wire has been wrongly inserted into spring terminal.



Warning! Do not short-circuit the battery terminals and spring connectors. Otherwise it may cause overheating. Do not lock the motor or other moving parts, otherwise it may cause overheating.

If at any time in the future you should need to dispose of this product please note that waste electrical products should not be disposed of with household waste. Please recycle where facilities exist. Check with your local authority or retailer for recycling advice. (Waste Electrical and Electronic Equipment Directive)

42-887-959
MADE IN CHINA
 FOR AU/ NZ: IMPORTED FOR K MART STORES IN AUSTRALIA AND NEW ZEALAND.
 FOR USA: IMPORTED BY ANKO RETAIL INC. 19500 ALDERWOOD MALL PARKWAY LYNNWOOD WA 98036 USA.



Build Your Own Spiral Running Maze

> design your own mind-building maze
 > strengthen problem solving skills

