

# Assembly Instructions

## 42893448 TIMBER BENCH SEAT

### CARE INSTRUCTIONS:

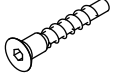
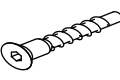
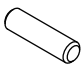




WIPE CLEAN WITH A DAMP CLOTH. DO NOT USE ABRASIVE MATERIALS AND SOLVENTS. STORE IN A DRY PLACE. FOR INDOOR AND DOMESTIC USE ONLY.

### WARNING:

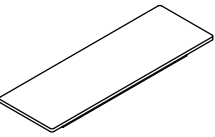
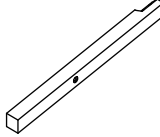
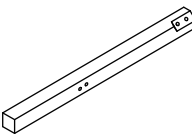
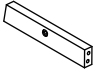
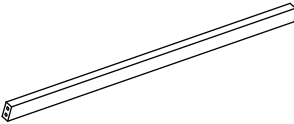
DO NOT STAND ON THE BENCH. DO NOT USE THE BENCH AS A STEP LADDER. DO NOT USE THE BENCH UNLESS ALL BOLTS, SCREWS AND KNOBS ARE FIRMLY SECURED. DO NOT DRAG WHEN MOVING THE BENCH TO AVOID DAMAGING THE JOINTS. FAILURE TO FOLLOW THESE WARNINGS COULD RESULT IN SERIOUS INJURY.

**MAXIMUM SAFE LOAD: 200KGS.**

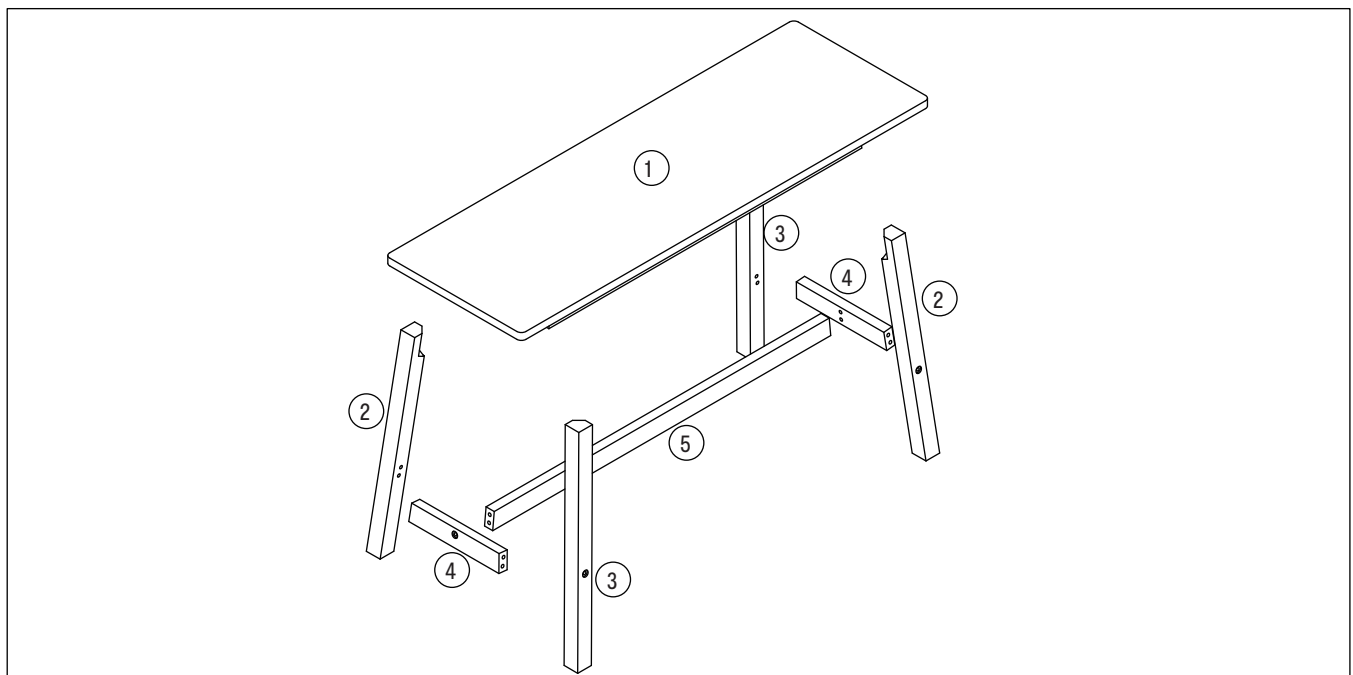
## 1 Hardware List

	A	M7x45mm	2pcs		B	M7x70mm	4pcs		C	8x30mm	6pcs
	D	M6x45mm	8pcs		E		1pc		F		8pcs
	G		8pcs								

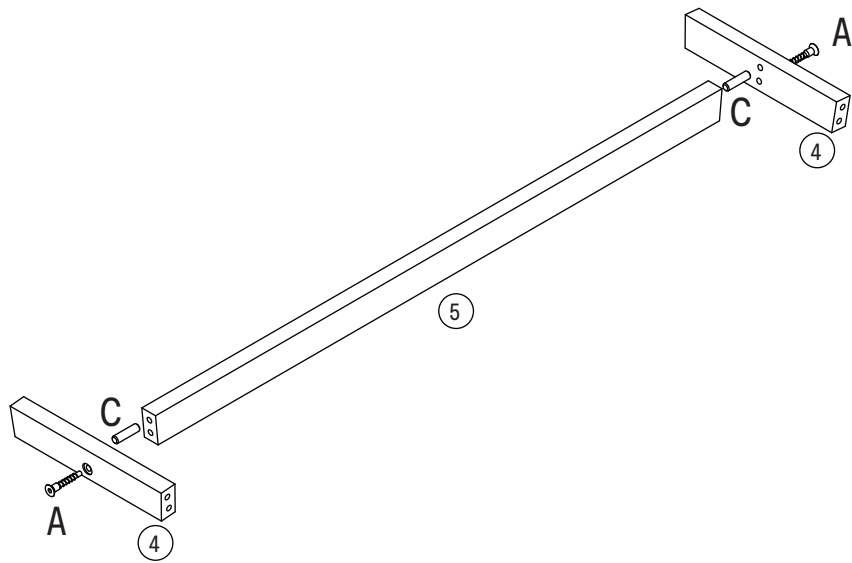
## 2 Parts List

							
①	1pc	②	2pcs	③	2pcs	④	2pcs
							
⑤	1pc						

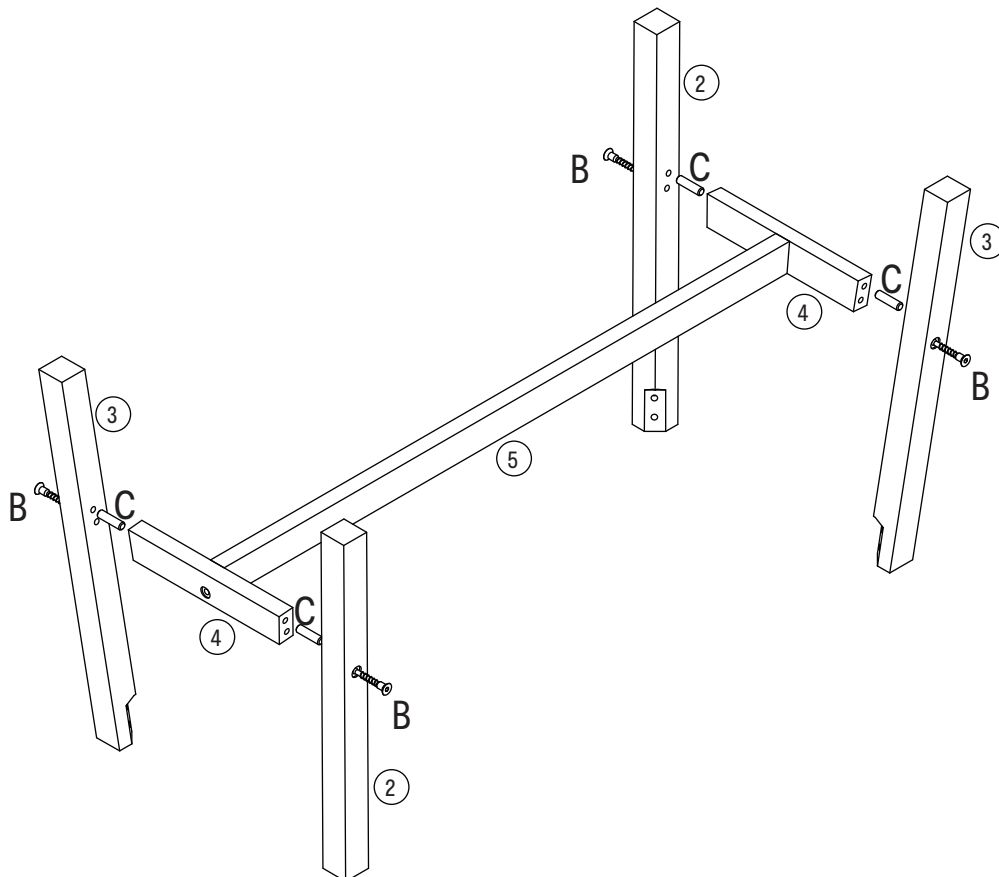
## 3



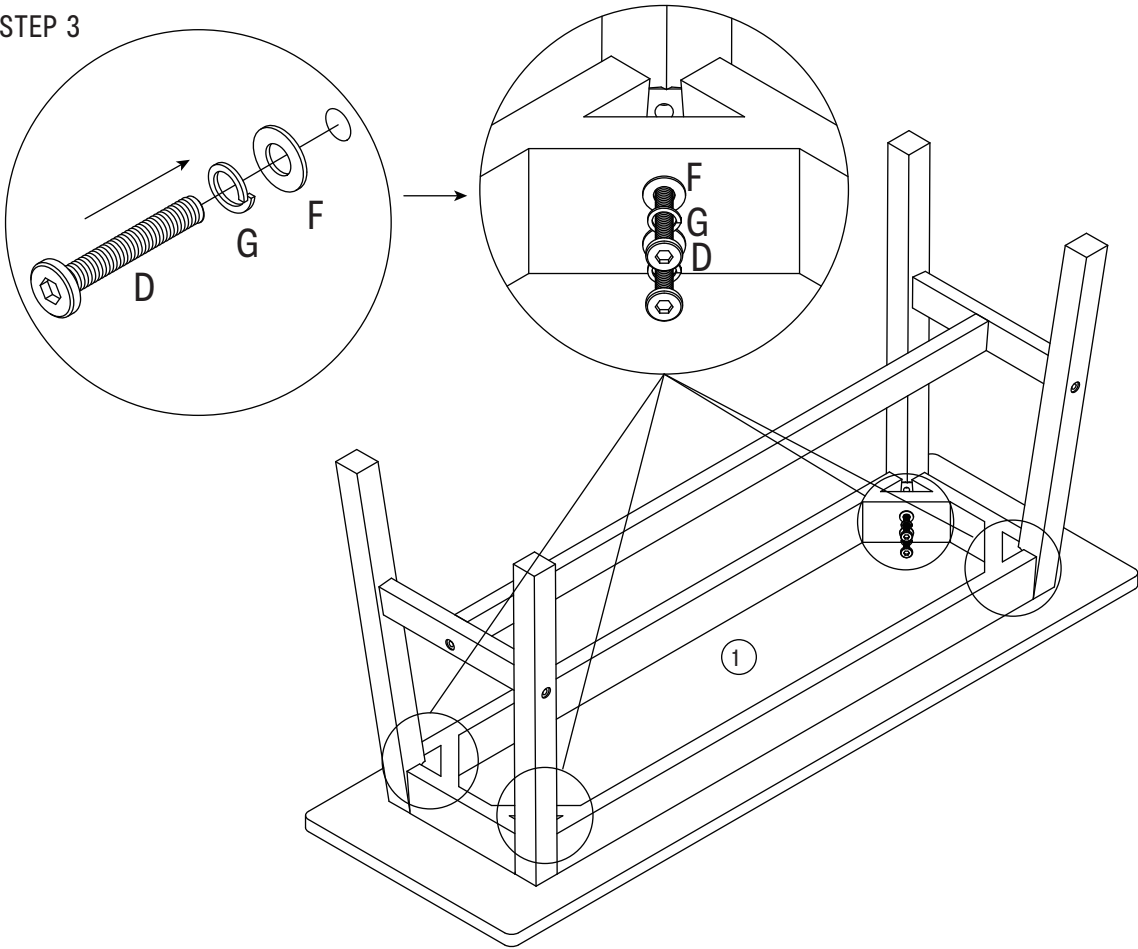
STEP 1



STEP 2



STEP 3



STEP 4

