

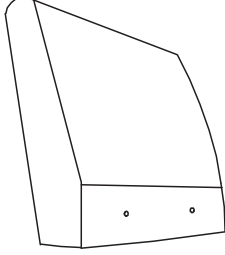

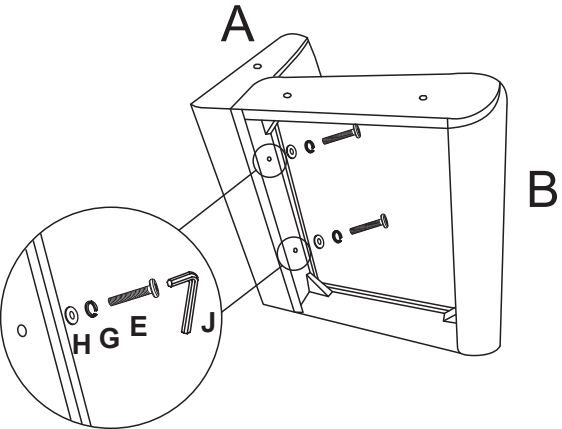
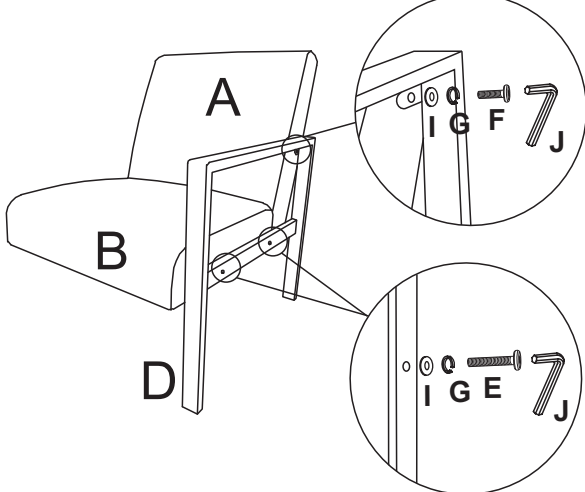
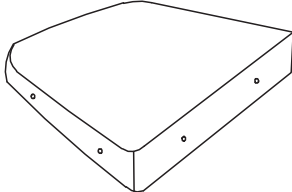

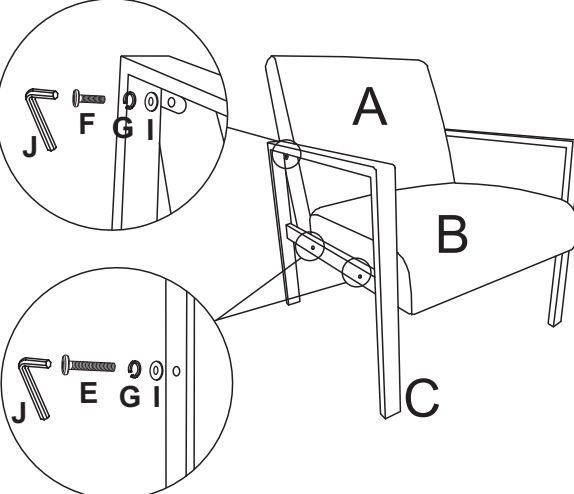
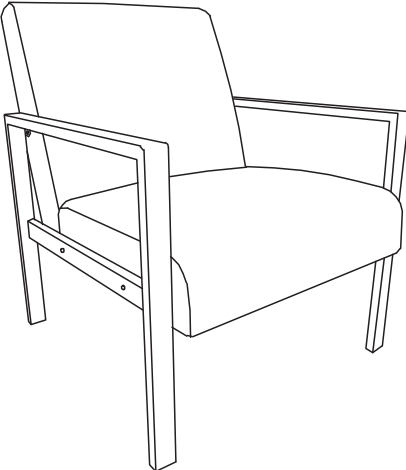
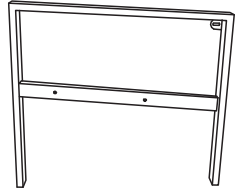
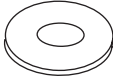

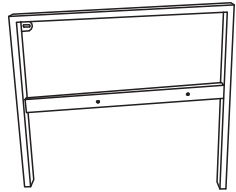
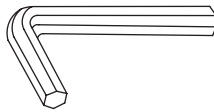

# Assembly Instructions

## CARE INSTRUCTIONS:

WIPE CLEAN WITH A SOFT DAMP CLOTH. DO NOT USE SCOURERS, ABRASIVES OR CHEMICAL SOLVENTS. CHECK AND TIGHTEN ALL PARTS REGULARLY. KEEP AWAY FROM WATER AND DIRECT SUNLIGHT. STORE IN A DRY PLACE. FOR INDOOR AND DOMESTIC USE.

## WARNING:

DO NOT STAND ON THIS CHAIR. DO NOT USE THIS CHAIR AS A STEP LADDER. DO NOT SIT ON THE ARM OF CHAIR. SUITABLE FOR ONE PERSON USE ONLY. DO NOT USE UNTIL ALL SCREWS ARE FIRMLY SECURED. USE ONLY ON A FLAT SURFACE. FAILURE TO FOLLOW THESE WARNINGS COULD RESULT IN SERIOUS INJURY. **MAXIMUM SAFE LOAD WEIGHT: 100KGS.**

<p>Ax1</p> 	<p>Fx2</p>  <p>M8 x 30</p>	<p><b>Step 1:</b> Affix Part A &amp; B with E, G &amp; H.</p> 	<p><b>Step 2:</b> Affix Part D as per diagram with F, G &amp; I, E, G &amp; I.</p> 		
<p>Bx1</p> 	<p>Gx8</p> 			<p><b>Step 3:</b> Affix Part C as per diagram with F, G &amp; I, E, G &amp; I.</p> 	<p><b>Step 4:</b> Tighten all screws then assembly is complete.</p> 
<p>Cx1</p>  <p>(L)</p>	<p>Hx2</p> <p>M8*Φ22</p> 	<p>Ix6</p> <p>M8*Φ14</p> 			
<p>Dx1</p>  <p>(R)</p>	<p>Jx1</p> 	<p><b>ATTENTION:</b> DO NOT TIGHTEN THE SCREWS FULLY DURING ASSEMBLY. FULLY TIGHTEN SCREWS AFTER THE FINAL ASSEMBLY STEP.</p>			
<p>Ex6</p>  <p>M8 x 50</p>					