
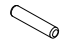







Assembly Instruction

CARE INSTRUCTIONS: WIPE CLEAN WITH DAMP OR DRY. CLOTH. DO NOT USE ABRASIVE MATERIALS AND SOLVENTS. KEEP AWAY FROM WATER AND DIRECT SUNLIGHT. A MILD ODOUR MAY BE PRESENT WHEN FIRST OPENING THIS CARTON. SIMPLY ALLOW TO AIR OUTSIDE AND THIS WILL FADE. STORE IN A DRY PLACE. FOR INDOOR AND DOMESTIC USE ONLY.


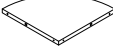
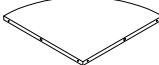
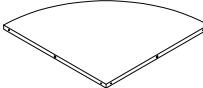
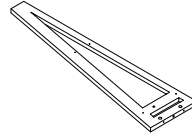
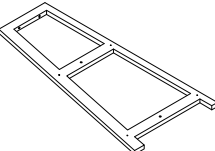
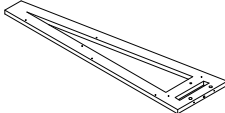
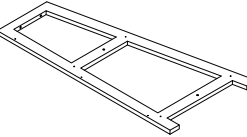
WARNING: DO NOT STAND OR SIT ON THIS ITEM, DO NOT USE UNTIL ALL SCREWS ARE FIRMLY SECURED, USE ONLY ON A FLAT SURFACE, ADULT ASSEMBLY REQUIRED. FAILURE TO FOLLOW THESE WARNINGS COULD IN SERIOUS INJURY. **MAXIMUM SAFE LOAD: 0.5KG/2KGS/3KGS/3KGS PER LAYER.**

1 Hardware List

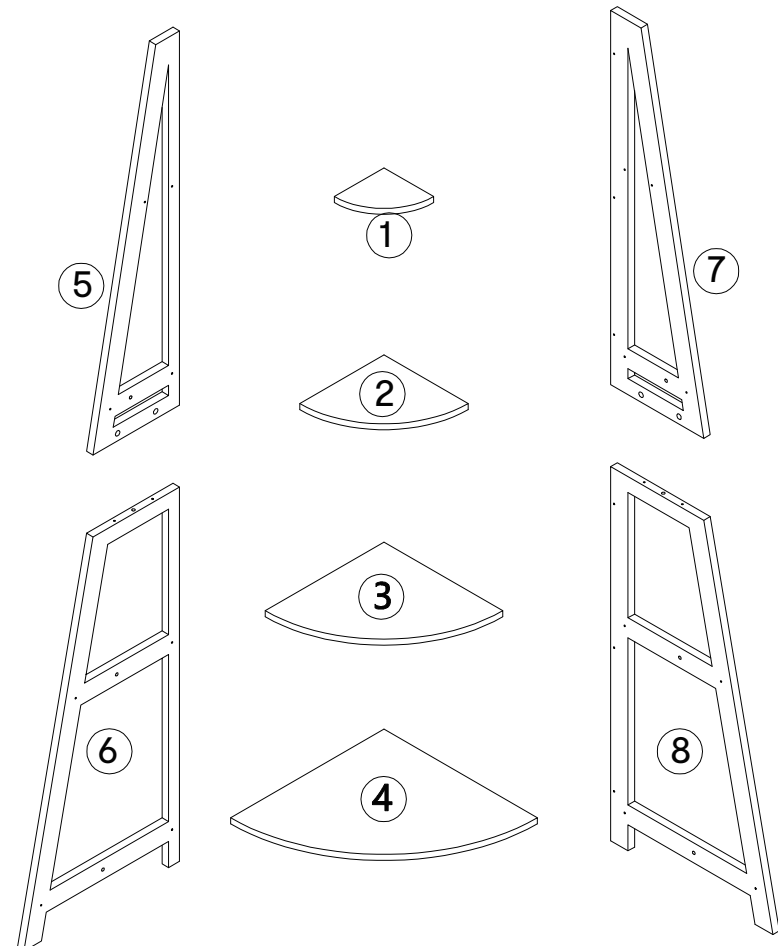
	a	4x35mm	23pcs
	b	6x30mm	8pcs
	c	5x50mm	4pcs
	d	9x10mm	4pcs
	e		1pc
	f	4x12mm	1pc
	g	6x30mm	1pc

ATTENTION:
DO NOT TIGHTEN THE SCREWS FULLY DURING ASSEMBLY.
FULLY TIGHTEN SCREWS AFTER THE FINAL ASSEMBLY STEP.

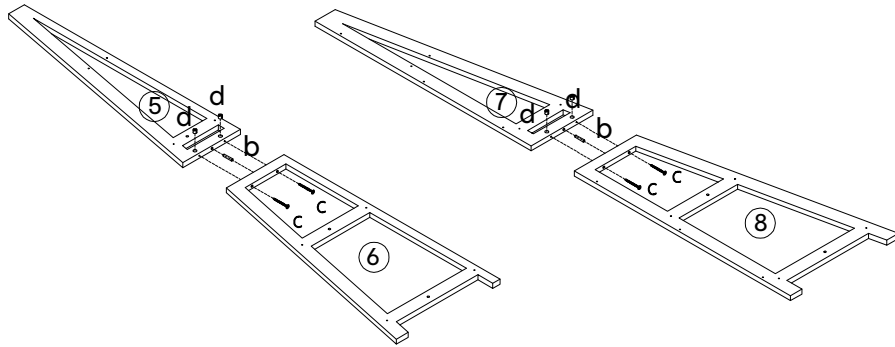
2

		
① 1PC	② 1PC	③ 1PC
		
④ 1PC	⑤ 1PC	⑥ 1PC
		
⑦ 1PC	⑧ 1PC	

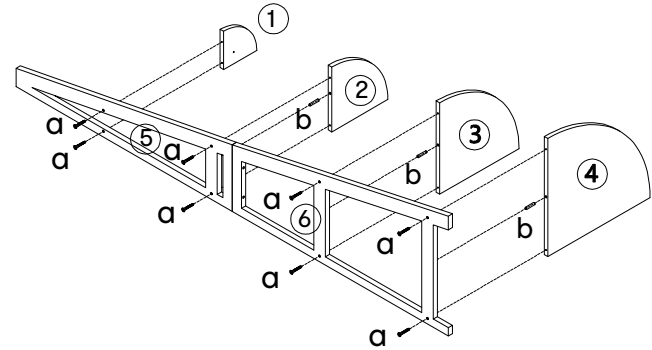
3



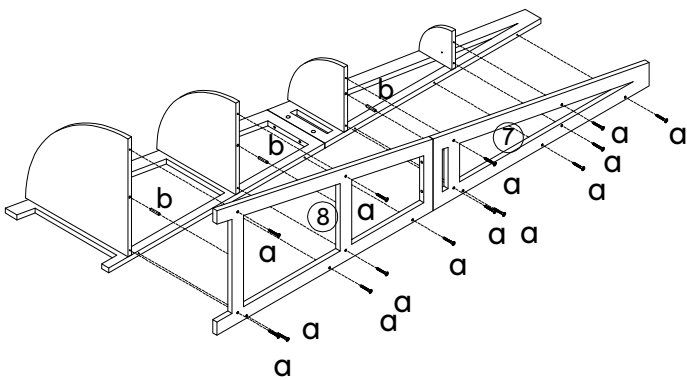
4



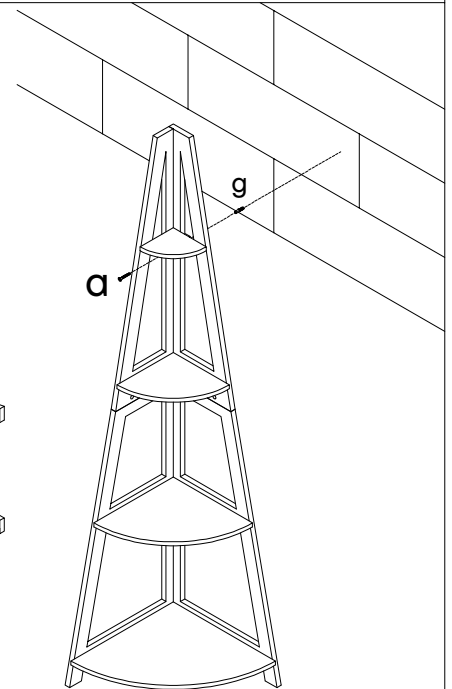
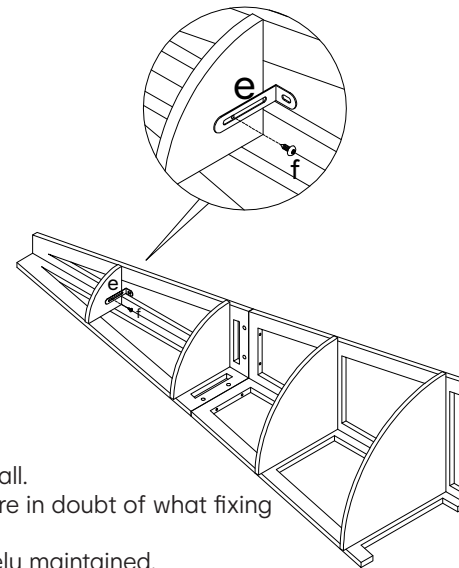
5



6



7



TOPPLING FURNITURE WARNING:

- › It is strongly recommended that this product is permanently fixed to the wall.
- › Please seek professional advice if you are in doubt of what fixing device to use.
- › Regularly check that anchors are securely maintained.
- › Stability of tall items may be affected by thick pile carpet or uneven floors.
- › Do not place unanchored televisions on furniture.

Caution: for your safety when attaching the anchor fixings, please note the following:

- › Check any electrical wires or plumbing inside the wall before drilling any holes (if you are unsure please seek professional advice from a qualified tradesperson)